



TEXAS A&M
UNIVERSITY®

**WAYFINDING &
SIGNAGE PACKAGE**

AUGUST 2020

Contents

Graphic Standards

Signage Family

Sign Type Specifications
& Fabrication Drawings



4543 Brittmoore Road
Houston, Texas 77041
281.971.9529
vistexgraphics.com



TEXAS A&M
UNIVERSITY



4543 Brittmoore Road
Houston, Texas 77041
281.971.9529
vistexgraphics.com

PROJECT LOGOS

PRIMARY TEXT

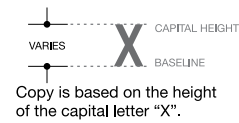
ABCDEFGHIJKLMNOPQRSTUVWXYZ
abcdefghijklmnopqrstuvwxyz
1234567890

Helvetica Neue LT Std Medium Condensed

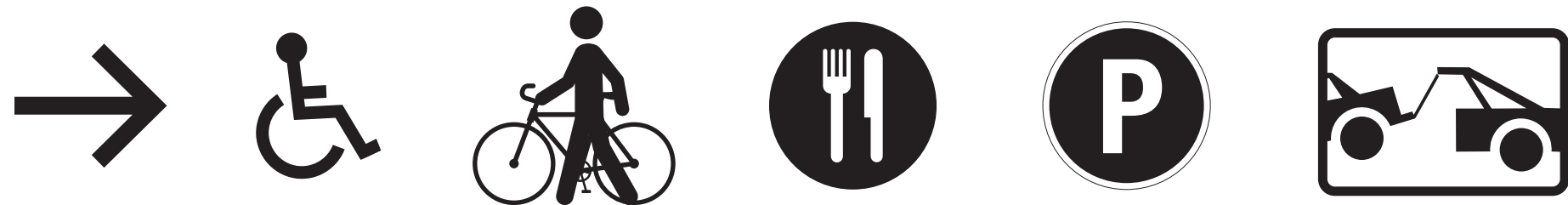
SUBORDINATE TEXT

ABCDEFGHIJKLMNOPQRSTUVWXYZ
abcdefghijklmnopqrstuvwxyz
1234567890

Helvetica Neue LT Std Light Condensed

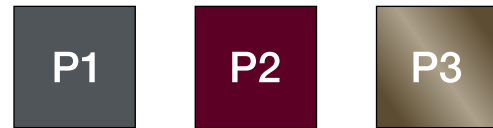


PROJECT TYPEFACES



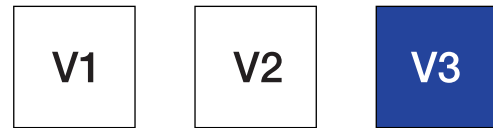
PROJECT PICTOGRAMS

POWDERCOAT




TG3870061 GRAY
SW2716 MAROON
CAMPUS STANDARD BRONZE

VINYL



ORACAL 5700-010 WHITE REFLECTIVE
ORACAL 751-010 WHITE
ORACAL 751-049 KING BLUE

 POWDER COAT SAMPLES MUST BE PROVIDED TO AND APPROVED BY THE TEXAS A&M OFFICE OF THE UNIVERSITY ARCHITECT PRIOR TO FABRICATION.

POWDER-COAT MAY NEED TO BE CUSTOM BLENDED AND MUST MATCH THE FOLLOWING PAINT COLORS:
SW2716 DEEP RUBY (MAROON)
MP 10269 DARK SLATE (GRAY)

PROJECT FINISHES & MATERIALS

PROJECT INFORMATION

CLIENT
TEXAS A&M UNIVERSITY

PROJECT
MASTER CAMPUS WAYFINDING

PROJECT MGR DESIGNER

PROJECT #: 20-0136

SHEET DETAILS

PGS
Project Graphics Standards

DATE: 08/05/2020
SCALE: AS NOTED

FINISH AND MATERIAL SCHEDULE

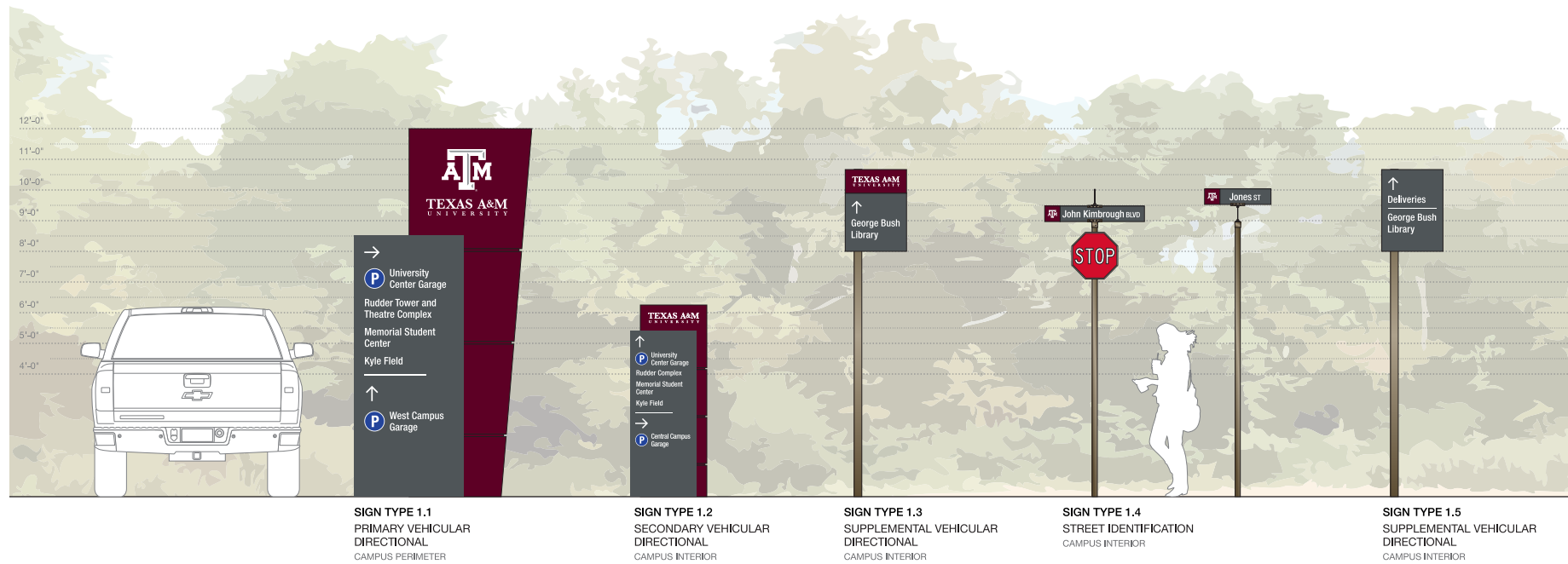
ISSUE

#	DATE	DESCRIPTION
00	08/21/2020	FOR CONSTRUCTION

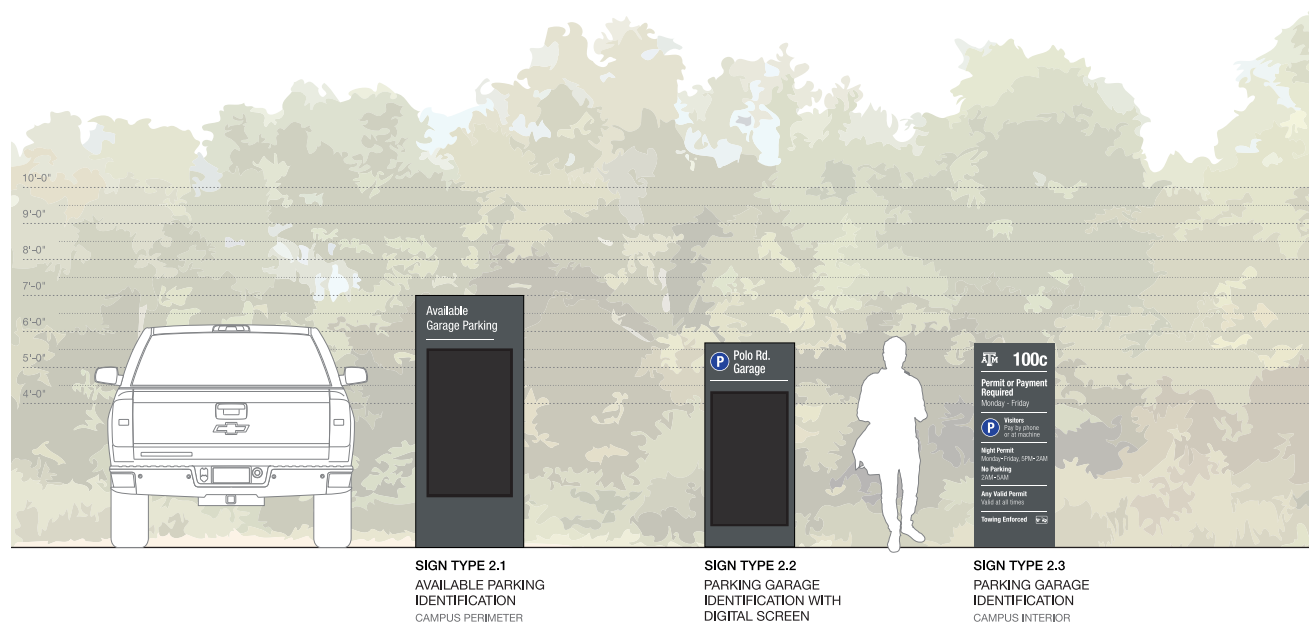
SHEET DESIGNATION

A-PGS-01.0

RUNNING SHEET NUMBER 2



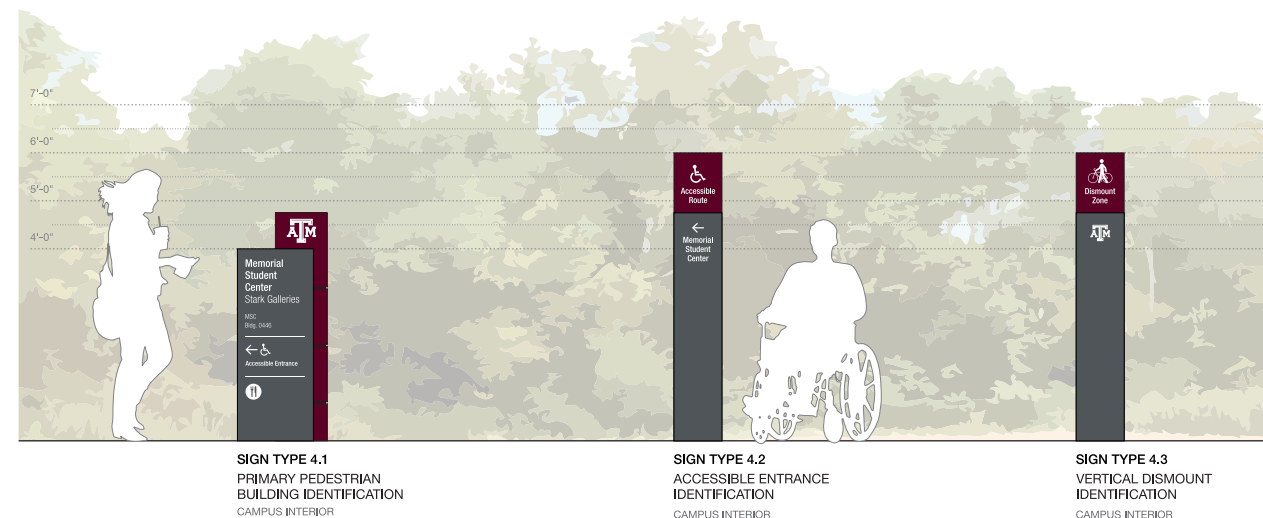
1 ELEVATION - VEHICULAR WAYFINDING SIGNAGE
SCALE: 3/16"=1'



2 ELEVATION - VEHICULAR IDENTIFICATION SIGNAGE
SCALE: 3/16"=1'



3 ELEVATION - PEDESTRIAN WAYFINDING SIGNAGE
SCALE: 1/4"=1'



4 ELEVATION - PEDESTRIAN IDENTIFICATION SIGNAGE
SCALE: 1/4"=1'

NOTES

1. Illuminated signage and signage with digital displays to require (1) 120V/20A Circuit. Primary electrical to LED power supplies By Others. Automatic On/Off control By Others.
2. Messages shown here for representation only.



4543 Brittmoore Road
Houston, Texas 77041
281.971.9529
vistexgraphics.com

PROJECT INFORMATION

CLIENT
TEXAS A&M UNIVERSITY
PROJECT
MASTER CAMPUS WAYFINDING

PROJECT MGR **DESIGNER**

PROJECT #: 20-0136

SHEET DETAILS

WSF
Wayfinding Signage Family

DATE: 08/05/2020
SCALE: AS NOTED

FINISH AND MATERIAL SCHEDULE

P1	Powder-coat TG3870061 GRAY
P2	Powder-coat SW2716 Maroon
V1	Oracal 5700-010 White Reflective
V2	Oracal 751-010 White
V3	Oracal 751-049 King Blue

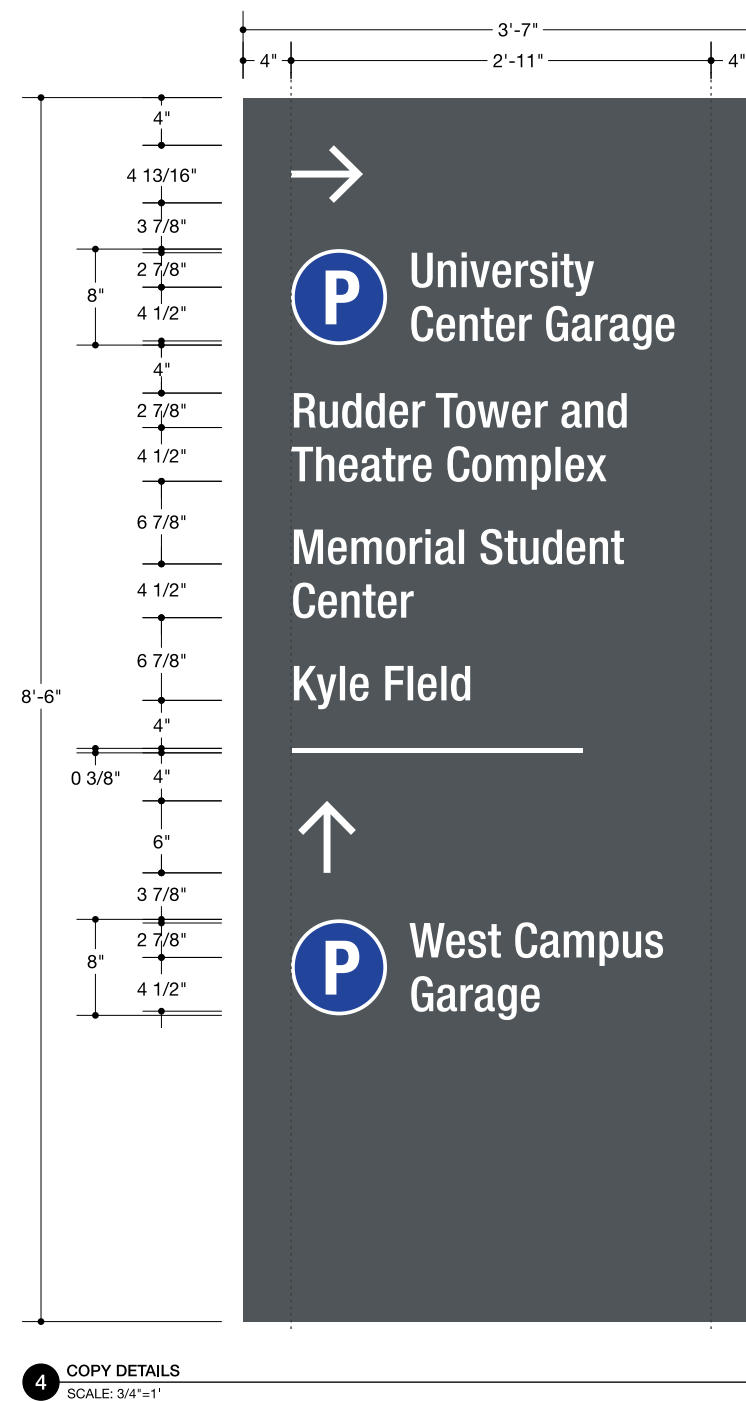
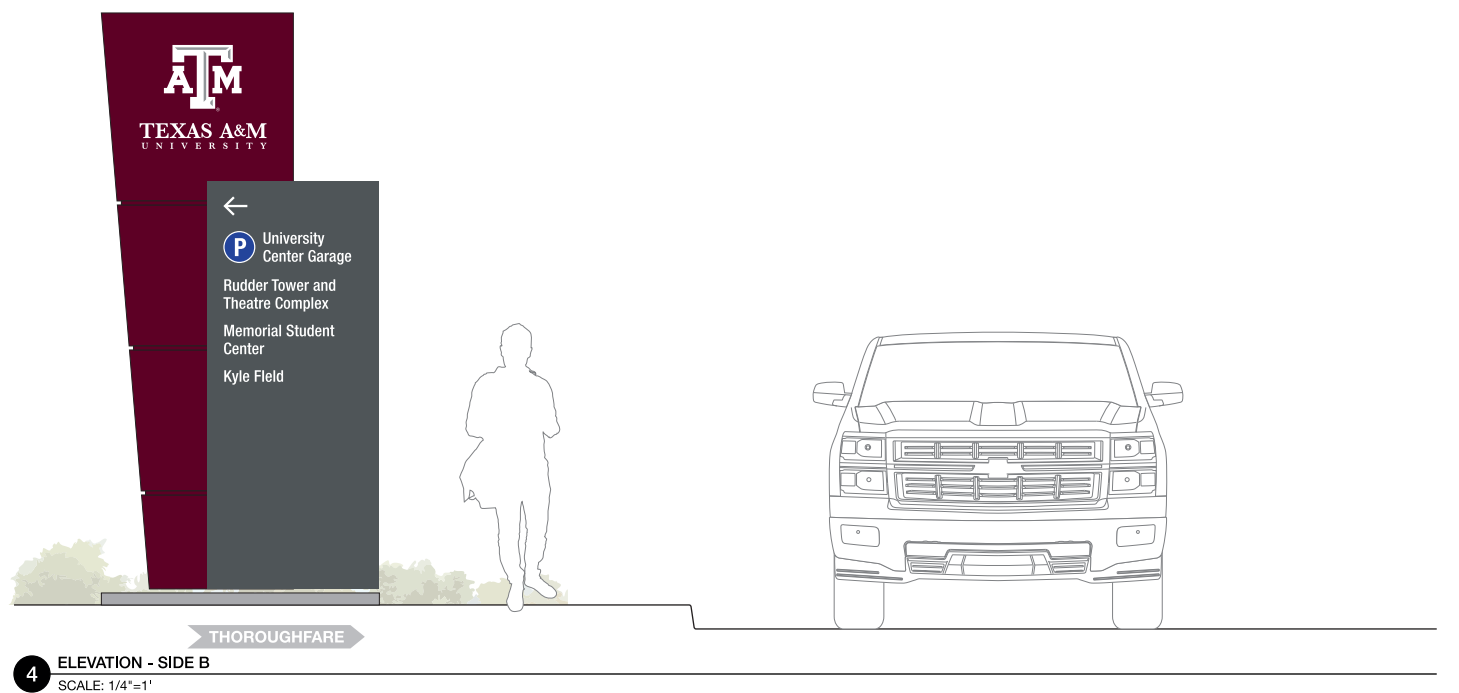
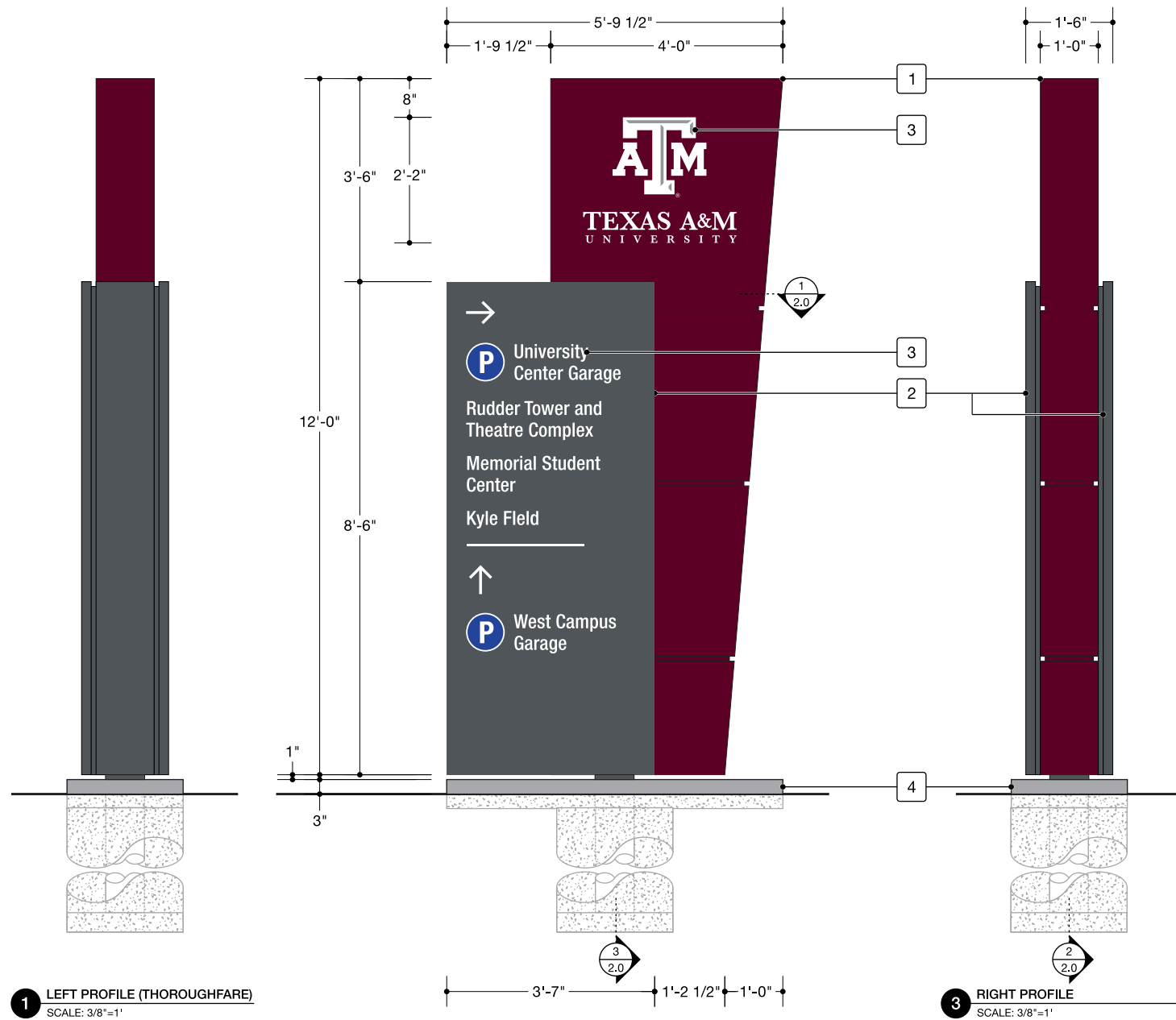
ISSUE

#	DATE	DESCRIPTION
00	08/21/2020	FOR CONSTRUCTION

SHEET DESIGNATION

A-WSF-01.0

RUNNING SHEET NUMBER 3



DETAILS

1. Fabricated aluminum angle cabinet with 1/8" aluminum paneling. Powder-coat all visible surfaces SW2716 Maroon
2. Fabricated aluminum angle pan with 1/8" aluminum paneling powder-coat all visible surfaces TG3870061 Gray. Fabricated pan secures to primary cabinet with counter sunk #10-24 flat head machine screws and is removable.
3. Contour-cut vinyl logo, copy, and symbols, Oracal 5700-010 White Reflective, Oracal 751-049 King Blue Typeface: Helvetica Neue LT Std Medium Condensed
4. 6" Concrete pad and pier foundation, 2500PSI Concrete

NOTES

1. Messages shown here for representation only. All messaging By Others. Vinyl to be produced By Others.
2. Powder-coat samples must be approved by the Office of the University Architect prior to fabrication of signs. Powder Coat color may require custom blending.



4543 Brittmoore Road
Houston, Texas 77041
281.971.9529
vistexgraphics.com

PROJECT INFORMATION

CLIENT
TEXAS A&M UNIVERSITY

PROJECT
MASTER CAMPUS WAYFINDING

PROJECT MGR **DESIGNER**

PROJECT #: 20-0136

SHEET DETAILS

ST 1.1
Primary Vehicular Directional

DATE: 08/05/2020
SCALE: AS NOTED

FINISH AND MATERIAL SCHEDULE

P1	Powder-coat TG3870061 GRAY
P2	Powder-coat SW2716 Maroon
V1	Oracal 5700-010 White Reflective
V3	Oracal 751-049 King Blue

ISSUE

#	DATE	DESCRIPTION
00	08/21/2020	FOR CONSTRUCTION

SHEET DESIGNATION

E-1.1-01.0

RUNNING SHEET NUMBER 4

PROJECT INFORMATION

CLIENT
TEXAS A&M UNIVERSITY

PROJECT
MASTER CAMPUS WAYFINDING

PROJECT MGR DESIGNER

PROJECT #: 20-0136

SHEET DETAILS

ST 1.1
Primary Vehicular Directional

DATE: 08/05/2020
SCALE: AS NOTED

FINISH AND MATERIAL SCHEDULE

P1	Powder-coat TG3870061 GRAY
P2	Powder-coat SW2716 Maroon
V1	Oracal 5700-010 White Reflective
V3	Oracal 751-049 King Blue

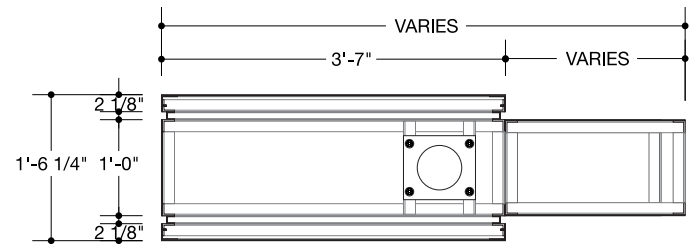
ISSUE

#	DATE	DESCRIPTION
00	08/21/2020	FOR CONSTRUCTION

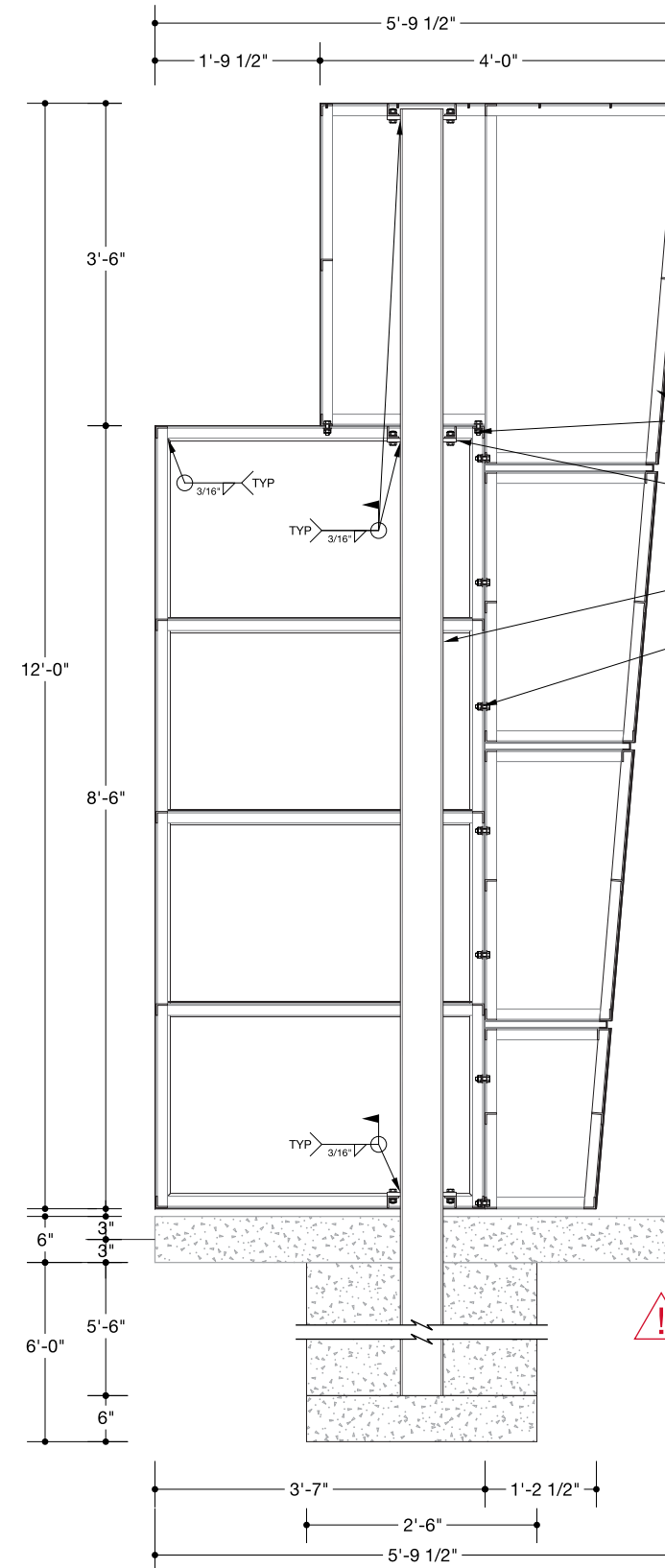
SHEET DESIGNATION

E-1.1-02.0

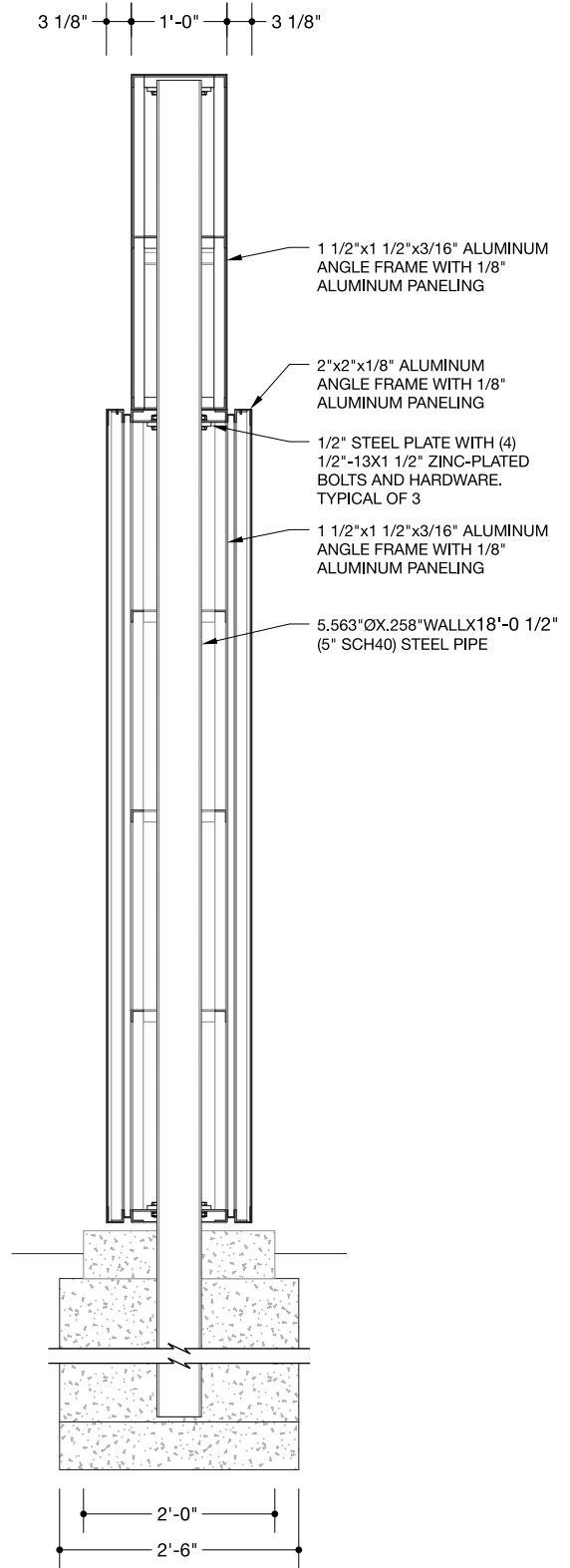
RUNNING SHEET NUMBER 5



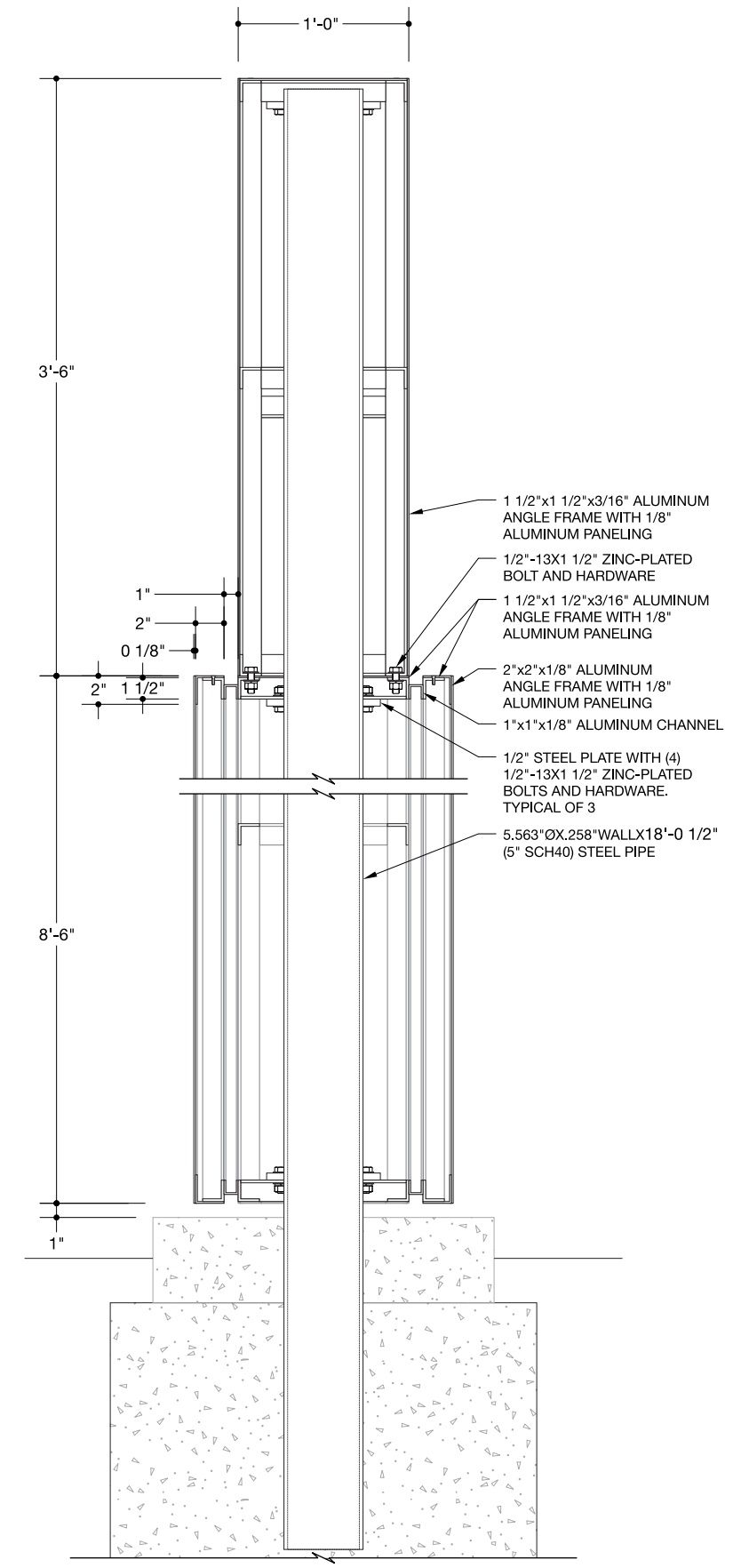
1 SECTION
SCALE: 1/2"=1'



2 SECTION
SCALE: 1/2"=1'



3 SECTION
SCALE: 1/2"=1'



4 SECTION ENLARGEMENT
SCALE: 1"=1'

PROJECT INFORMATION

CLIENT
TEXAS A&M UNIVERSITY

PROJECT
MASTER CAMPUS WAYFINDING

PROJECT MGR **DESIGNER**

PROJECT #: 20-0136

SHEET DETAILS

ST 1.1
Primary Vehicular Directional

DATE: 08/05/2020
SCALE: AS NOTED

FINISH AND MATERIAL SCHEDULE

P1	Powder-coat TG3870061 GRAY
P2	Powder-coat SW2716 Maroon
V1	Oracal 5700-010 White Reflective
V3	Oracal 751-049 King Blue

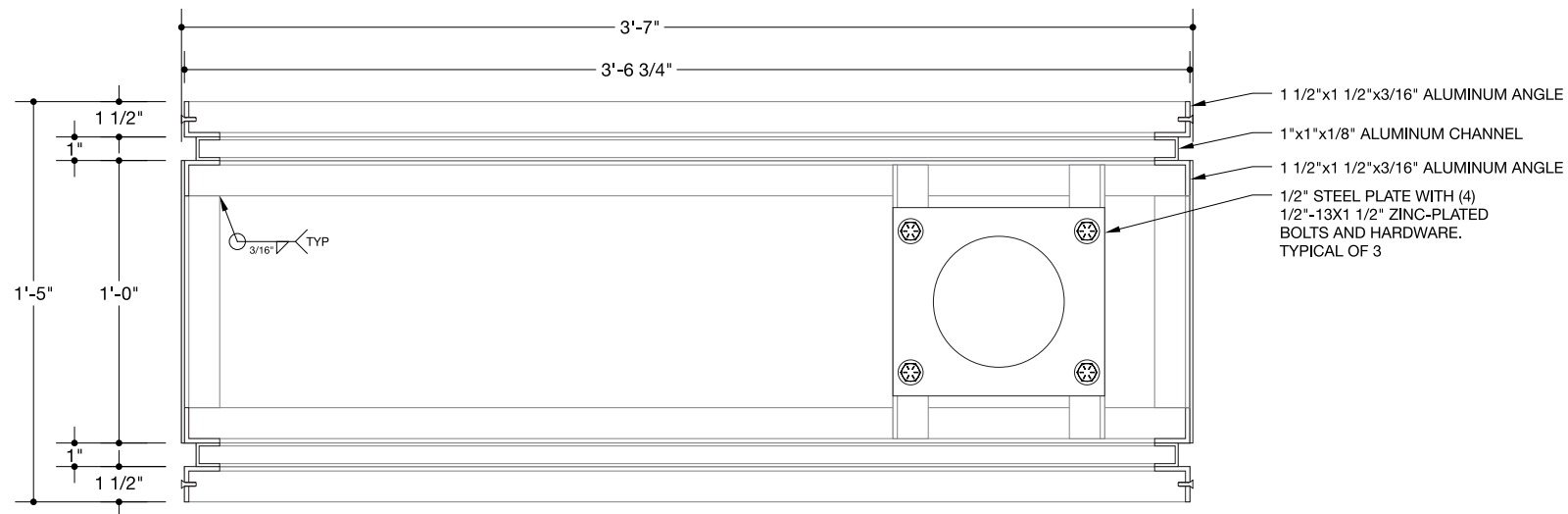
ISSUE

#	DATE	DESCRIPTION
00	08/21/2020	FOR CONSTRUCTION

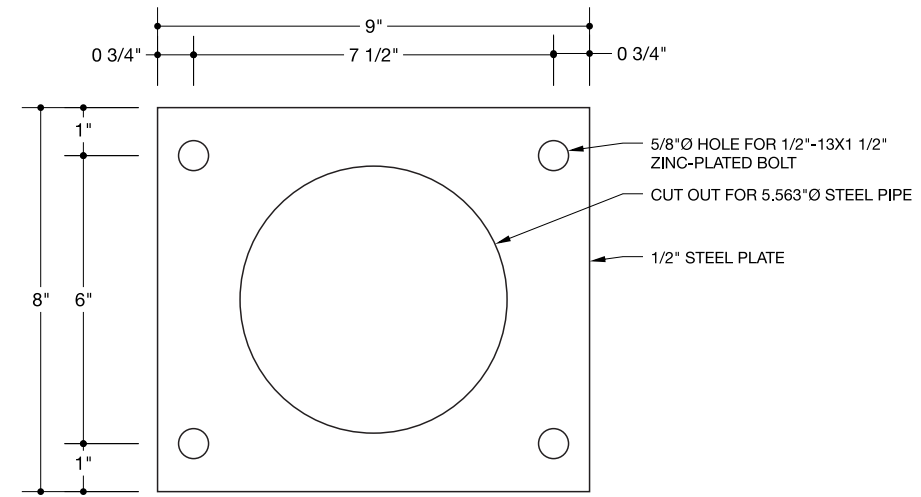
SHEET DESIGNATION

E-1.1-02.1

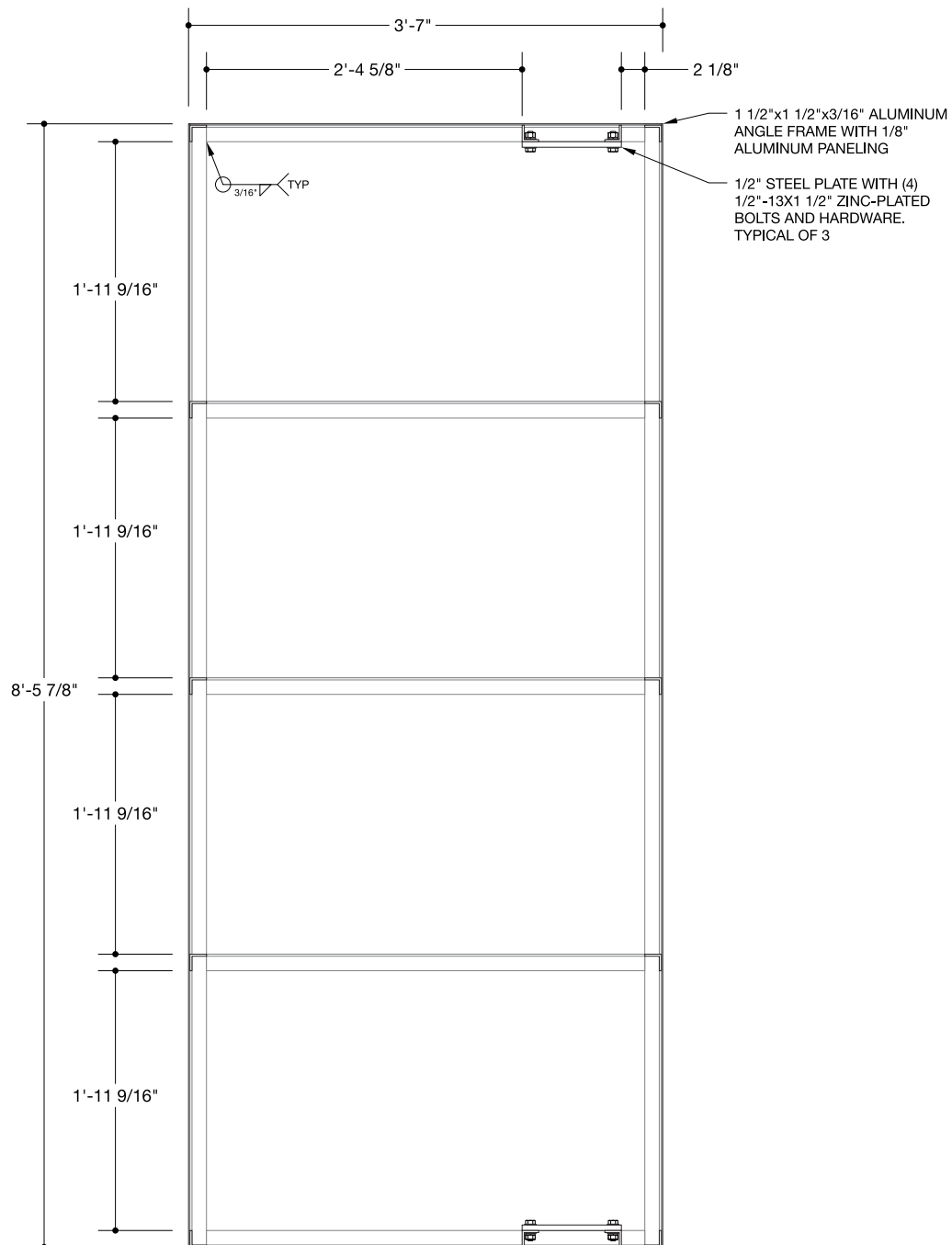
RUNNING SHEET NUMBER 6



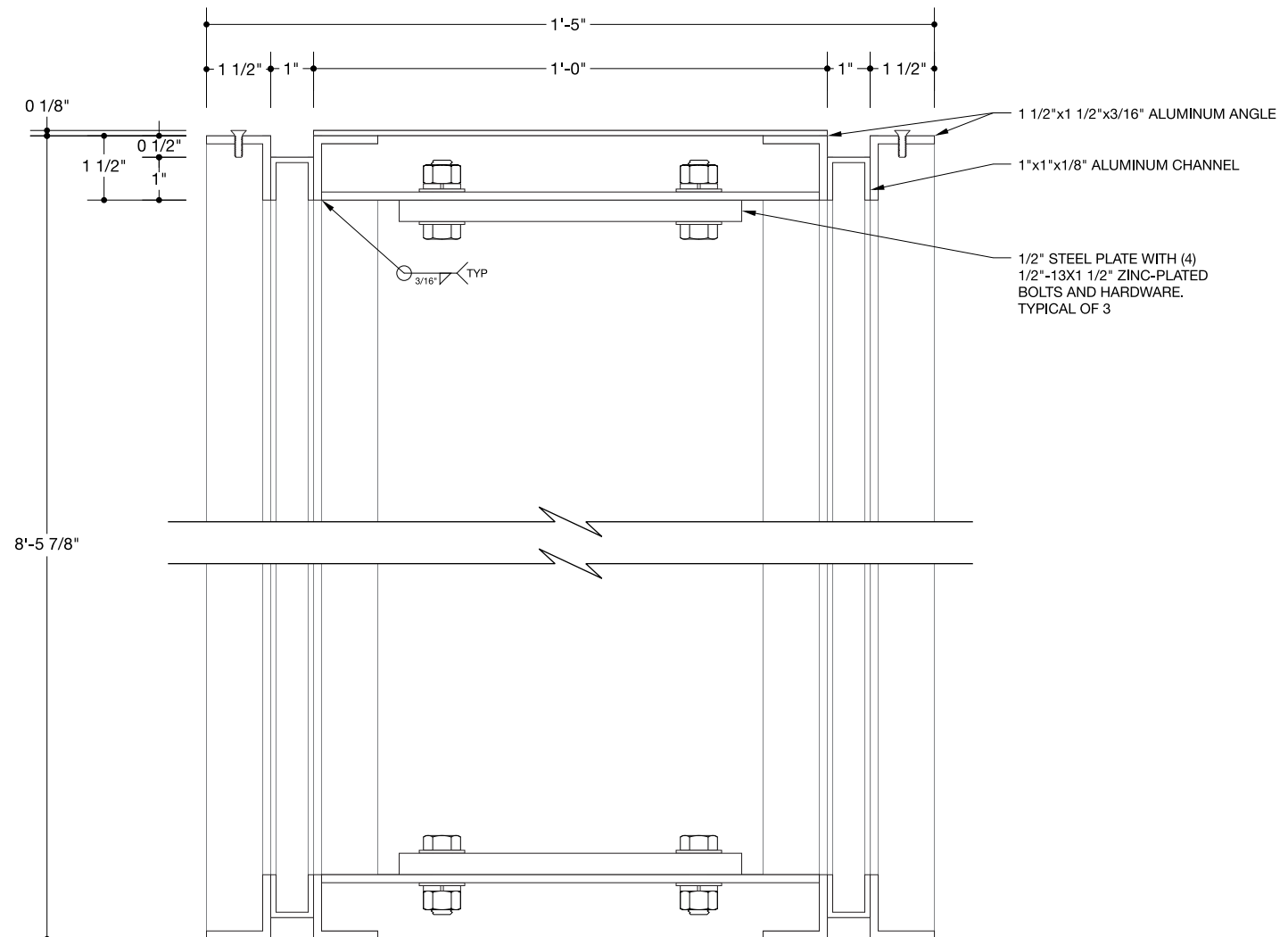
1 SECTION - MAIN CABINET
SCALE: 1 1/2"=1'



2 SADDLE PLATE
SCALE: 3"=1'



3 SECTION - MAIN CABINET
SCALE: 3/4"=1'



4 SECTION
SCALE: 3"=1'

PROJECT INFORMATION

CLIENT
TEXAS A&M UNIVERSITY

PROJECT
MASTER CAMPUS WAYFINDING

PROJECT MGR **DESIGNER**

PROJECT #: 20-0136

SHEET DETAILS

ST 1.1
Primary Vehicular Directional

DATE: 08/05/2020
SCALE: AS NOTED

FINISH AND MATERIAL SCHEDULE

- P1** Powder-coat
TG3870061 GRAY
- P2** Powder-coat
SW2716 Maroon
- V1** Oracal 5700-010
White Reflective
- V3** Oracal 751-049
King Blue

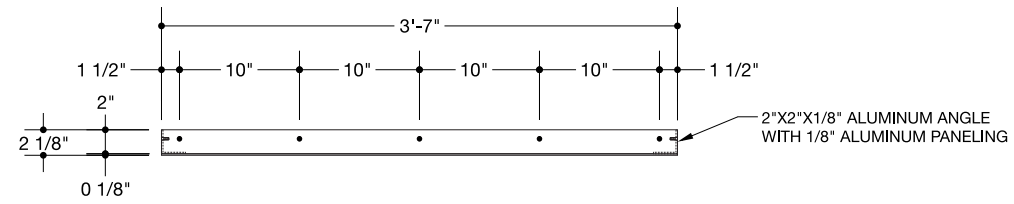
ISSUE

#	DATE	DESCRIPTION
00	08/21/2020	FOR CONSTRUCTION

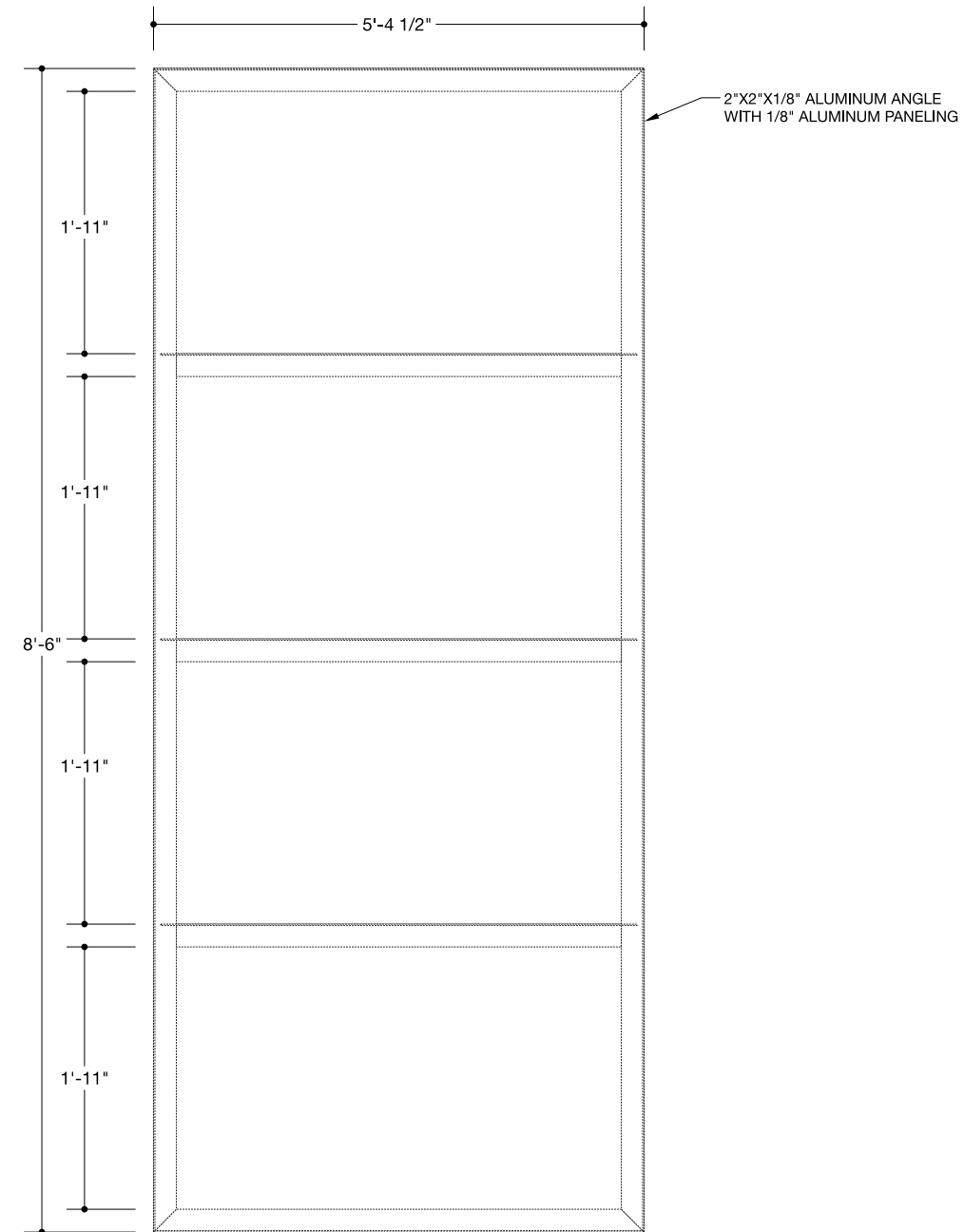
SHEET DESIGNATION

E-1.1-02.2

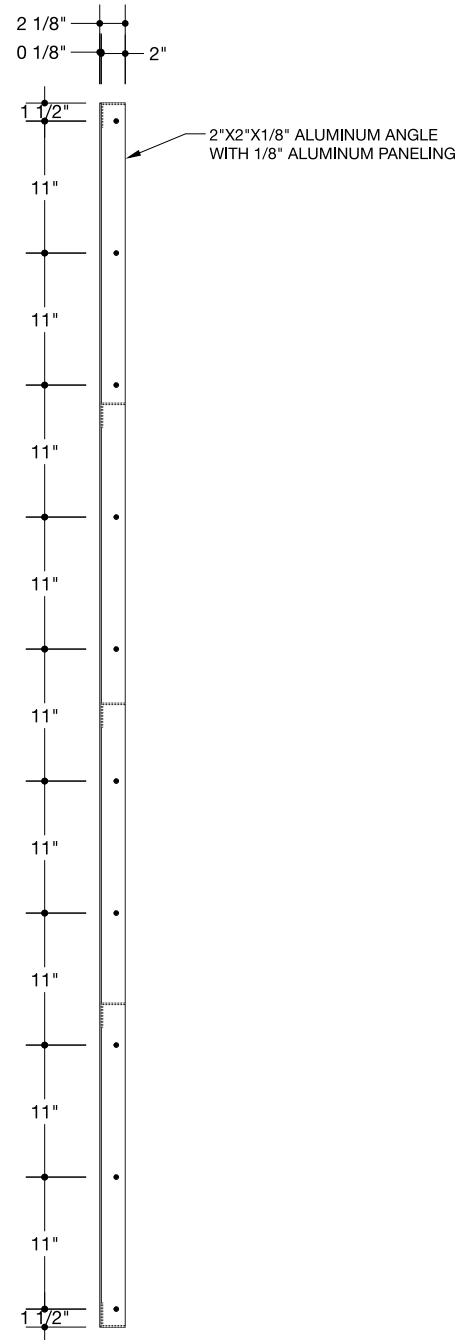
RUNNING SHEET NUMBER 7



1 PLAN - FABRICATED PAN
SCALE: 3/4"=1'



2 ELEVATION - FABRICATED PAN
SCALE: 3/4"=1'



3 PROFILE - FABRICATED PAN
SCALE: 3/4"=1'

PROJECT INFORMATION

CLIENT
TEXAS A&M UNIVERSITY

PROJECT
MASTER CAMPUS WAYFINDING

PROJECT MGR **DESIGNER**

PROJECT #: 20-0136

SHEET DETAILS

ST 1.1
Primary Vehicular Directional

DATE: 08/05/2020
SCALE: AS NOTED

FINISH AND MATERIAL SCHEDULE

- P1** Powder-coat
TG3870061 GRAY
- P2** Powder-coat
SW2716 Maroon
- V1** Oracal 5700-010
White Reflective
- V3** Oracal 751-049
King Blue

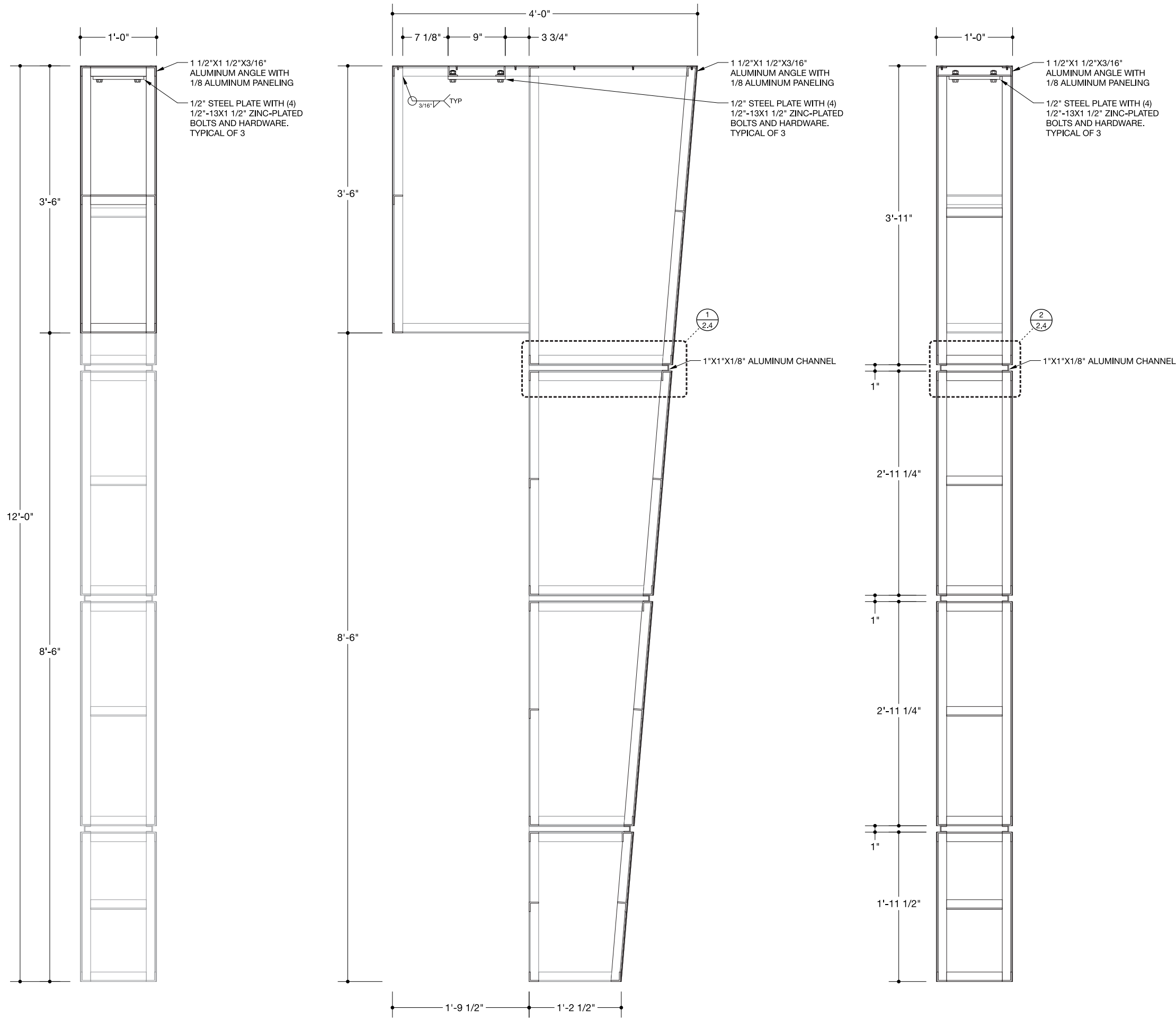
ISSUE

#	DATE	DESCRIPTION
00	08/21/2020	FOR CONSTRUCTION

SHEET DESIGNATION

E-1.1-02.3

RUNNING SHEET NUMBER 8



1 PROFILE - FABRICATED ACCENT
SCALE: 3/4"=1'

2 ELEVATION - FABRICATED ACCENT
SCALE: 3/4"=1'

3 PROFILE - FABRICATED ACCENT
SCALE: 3/4"=1'

PROJECT INFORMATION

CLIENT
TEXAS A&M UNIVERSITY
PROJECT
MASTER CAMPUS WAYFINDING

PROJECT MGR **DESIGNER**

PROJECT #: 20-0136

SHEET DETAILS

ST 1.1
Primary Vehicular Directional

DATE: 08/05/2020
SCALE: AS NOTED

FINISH AND MATERIAL SCHEDULE

- P1** Powder-coat
TG3870061 GRAY
- P2** Powder-coat
SW2716 Maroon
- V1** Oracal 5700-010
White Reflective
- V3** Oracal 751-049
King Blue

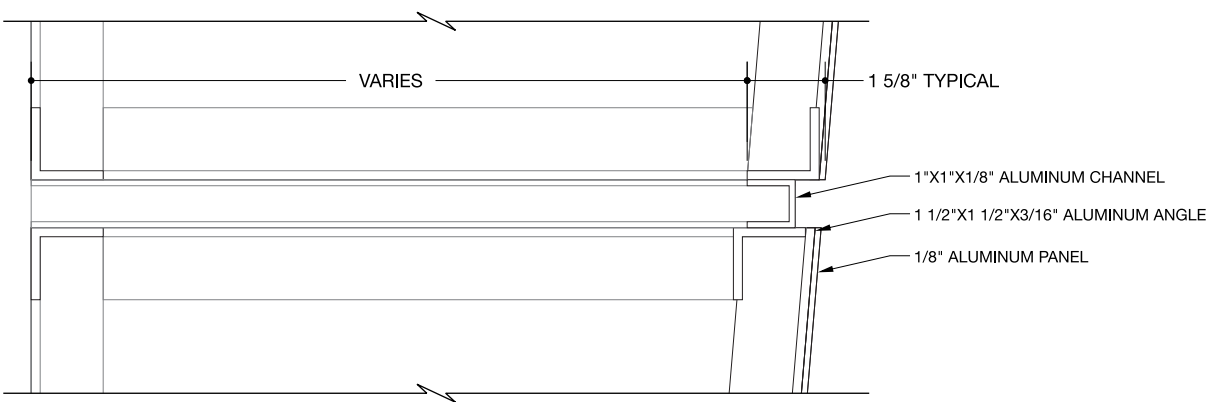
ISSUE

#	DATE	DESCRIPTION
00	08/21/2020	FOR CONSTRUCTION

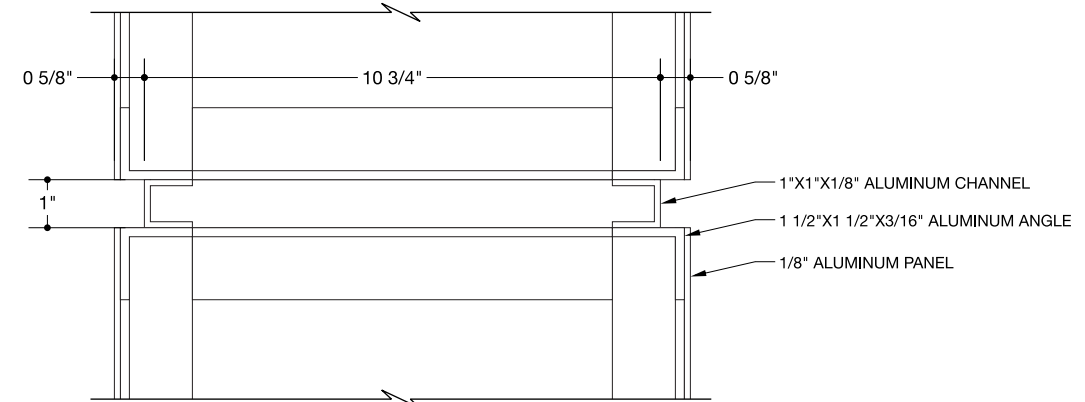
SHEET DESIGNATION

E-1.1-02.4

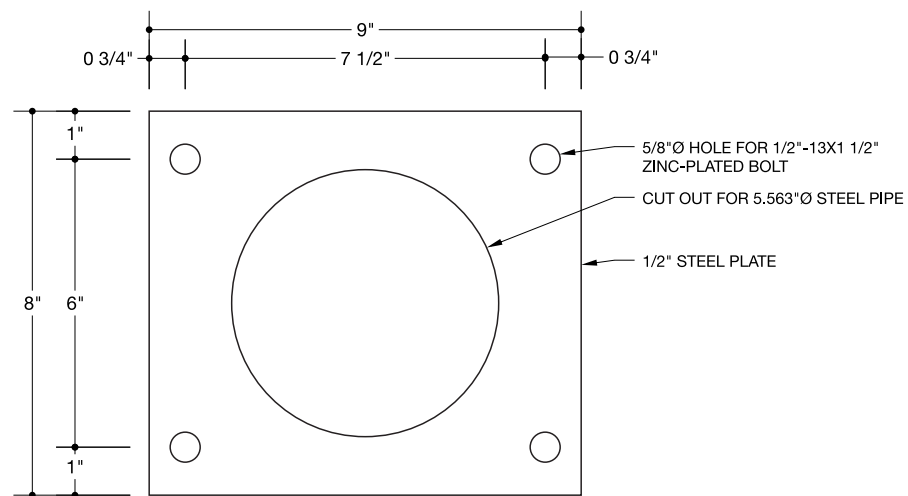
RUNNING SHEET NUMBER 9



1 DETAIL - ACCENT REVEAL
SCALE: 3"=1'



2 DETAIL - ACCENT REVEAL
SCALE: 3"=1'



3 SADDLE PLATE
SCALE: 3"=1'

PROJECT INFORMATION

CLIENT
TEXAS A&M UNIVERSITY

PROJECT
MASTER CAMPUS WAYFINDING

PROJECT MGR **DESIGNER**

PROJECT #: 20-0136

SHEET DETAILS

ST 1.2
Secondary Vehicular Directional

DATE: 08/05/2020
SCALE: AS NOTED

FINISH AND MATERIAL SCHEDULE

P1	Powder-coat TG3870061 GRAY
P2	Powder-coat SW2716 Maroon
V1	Oracal 5700-010 White Reflective
V3	Oracal 751-049 King Blue

ISSUE

#	DATE	DESCRIPTION
00	08/21/2020	FOR CONSTRUCTION

SHEET DESIGNATION

E-1.2-01.0

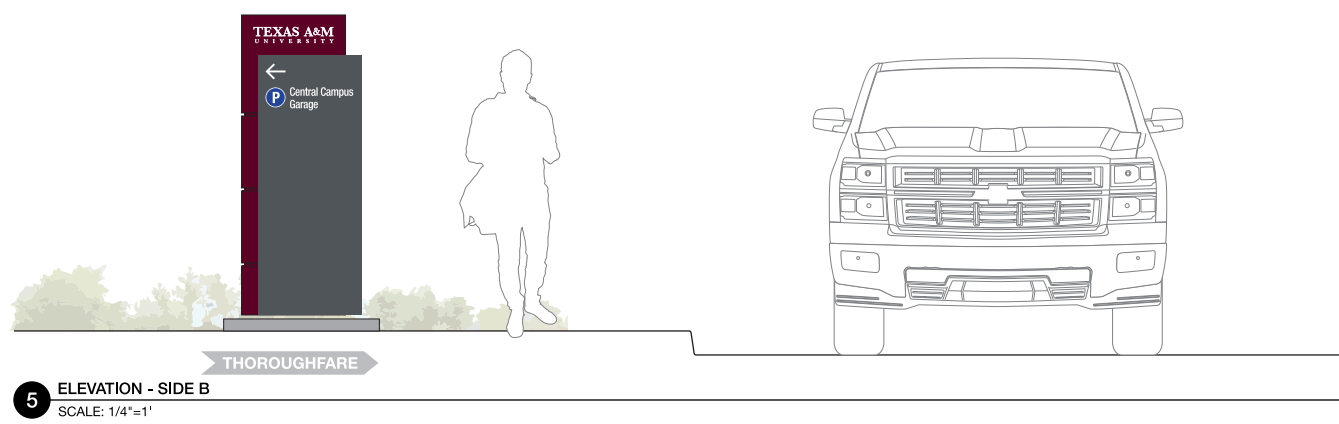
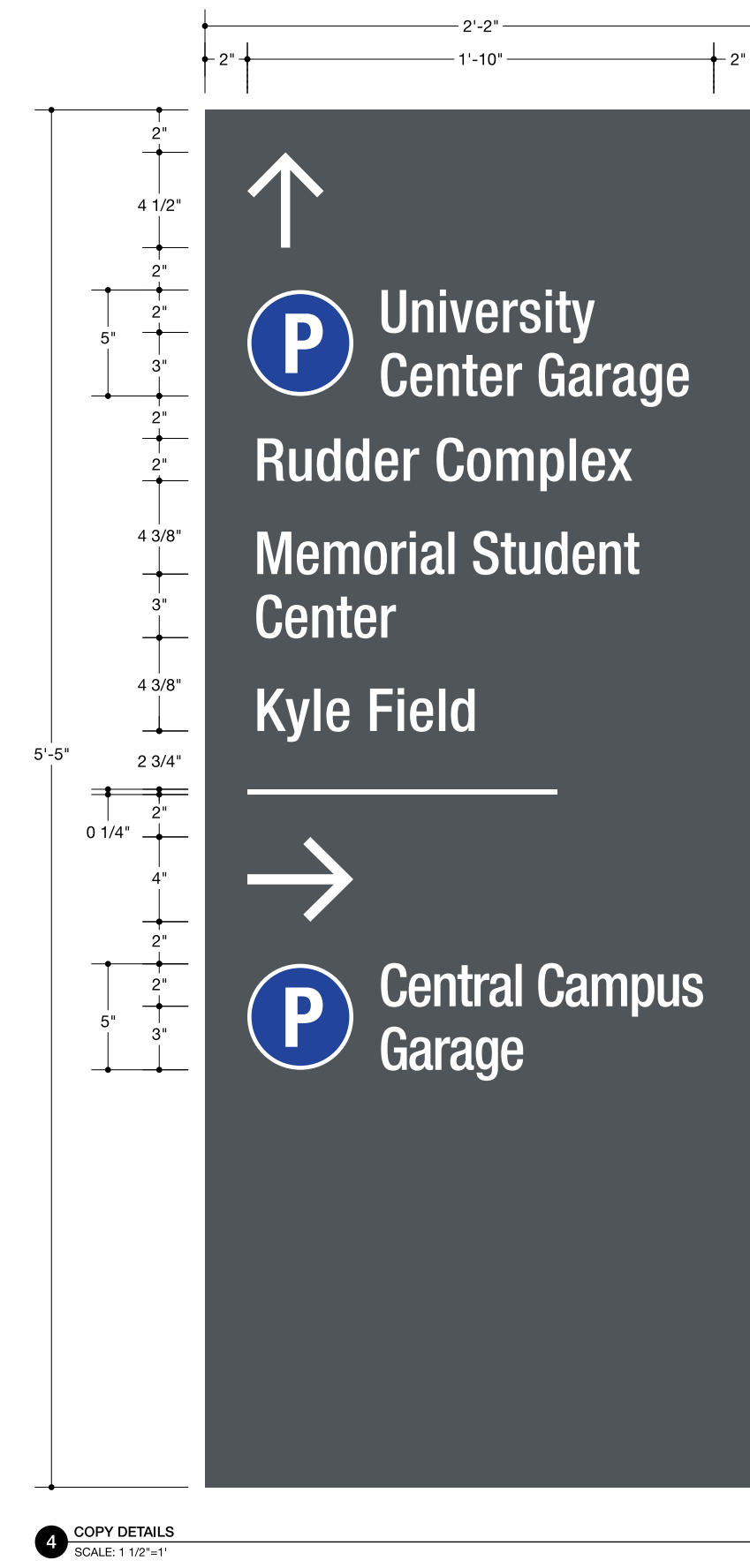
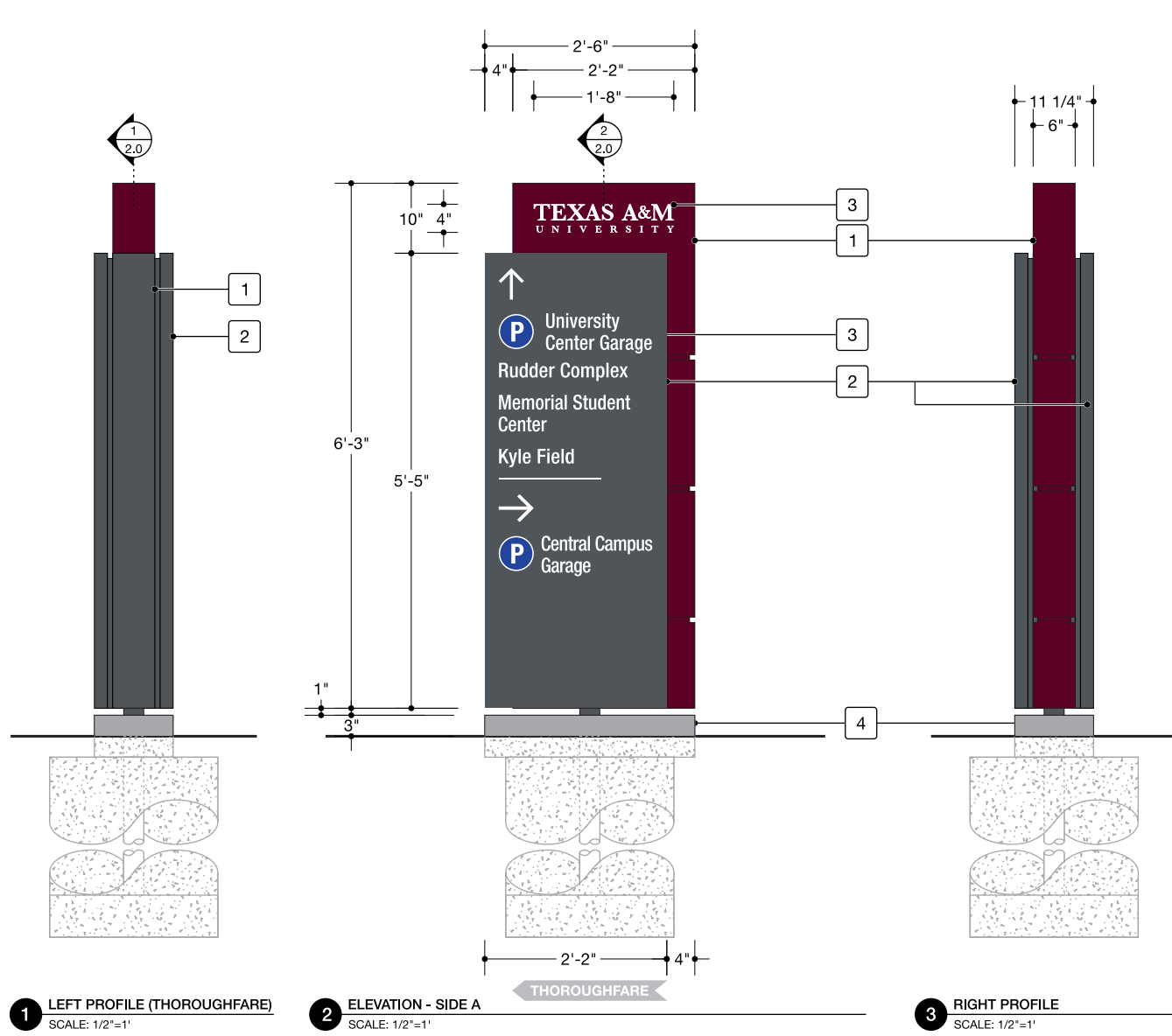
RUNNING SHEET NUMBER 10

DETAILS

1. Fabricated aluminum angle cabinet with 1/8" aluminum paneling. Powder-coat all visible surfaces SW2716 Maroon
2. Fabricated aluminum angle pan with 1/8" aluminum paneling powder-coat all visible surfaces TG3870061 Gray. Fabricated pan secures to primary cabinet with counter sunk #10-24 flat head machine screws and is removable.
3. Contour-cut vinyl logo, copy, and symbols, Oracal 5700-010 White Reflective, Oracal 751-049 King Blue Typeface: Helvetica Neue LT Std Medium Condensed
4. 6" Concrete pad and pier foundation, 2500PSI Concrete

NOTES

1. Messages shown here for representation only. All messaging By Others. Vinyl to be produced By Others.
2. Powder-coat samples must be approved by the Office of the University Architect prior to fabrication of signs. Powder Coat color may require custom blending.



PROJECT INFORMATION

CLIENT
TEXAS A&M UNIVERSITY

PROJECT
MASTER CAMPUS WAYFINDING

PROJECT MGR **DESIGNER**

PROJECT #: 20-0136

SHEET DETAILS

ST 1.2
Secondary Vehicular Directional

DATE: 08/05/2020
SCALE: AS NOTED

FINISH AND MATERIAL SCHEDULE

P1	Powder-coat TG3870061 GRAY
P2	Powder-coat SW2716 Maroon
V1	Oracal 5700-010 White Reflective
V3	Oracal 751-049 King Blue

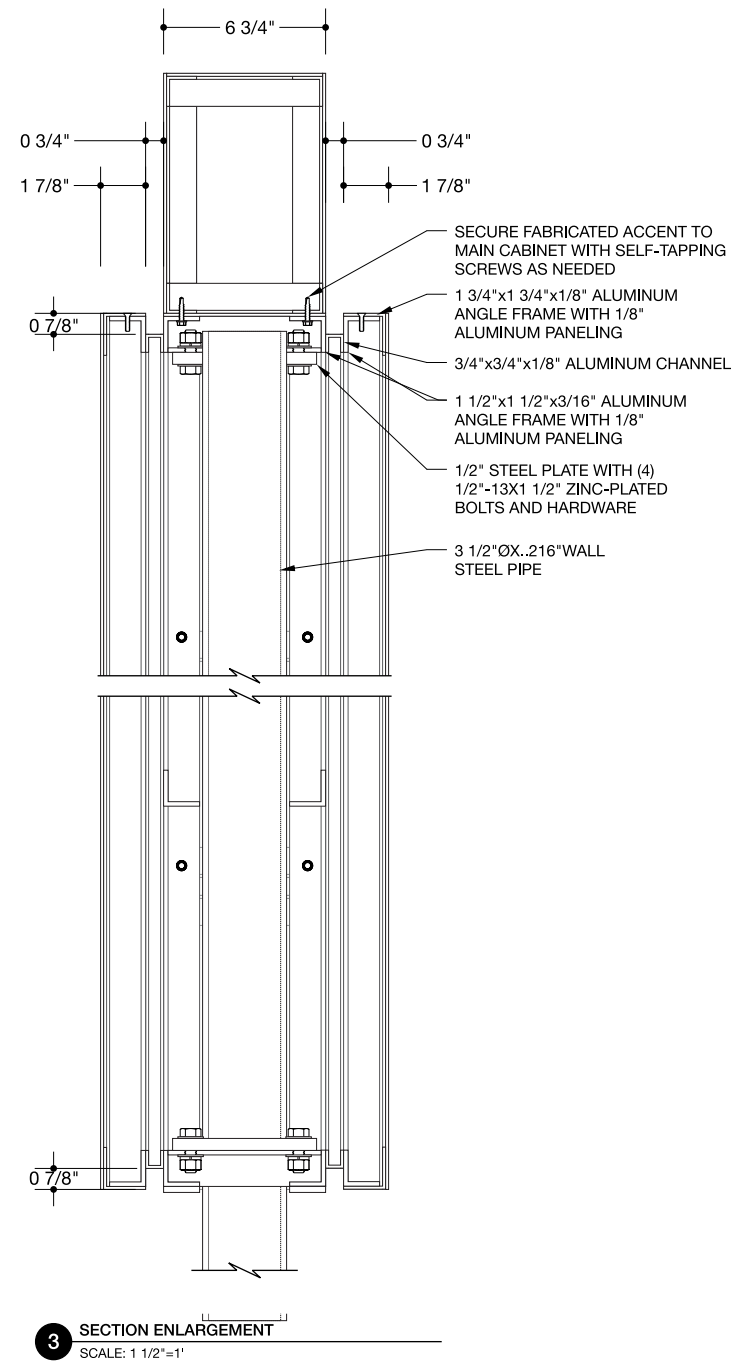
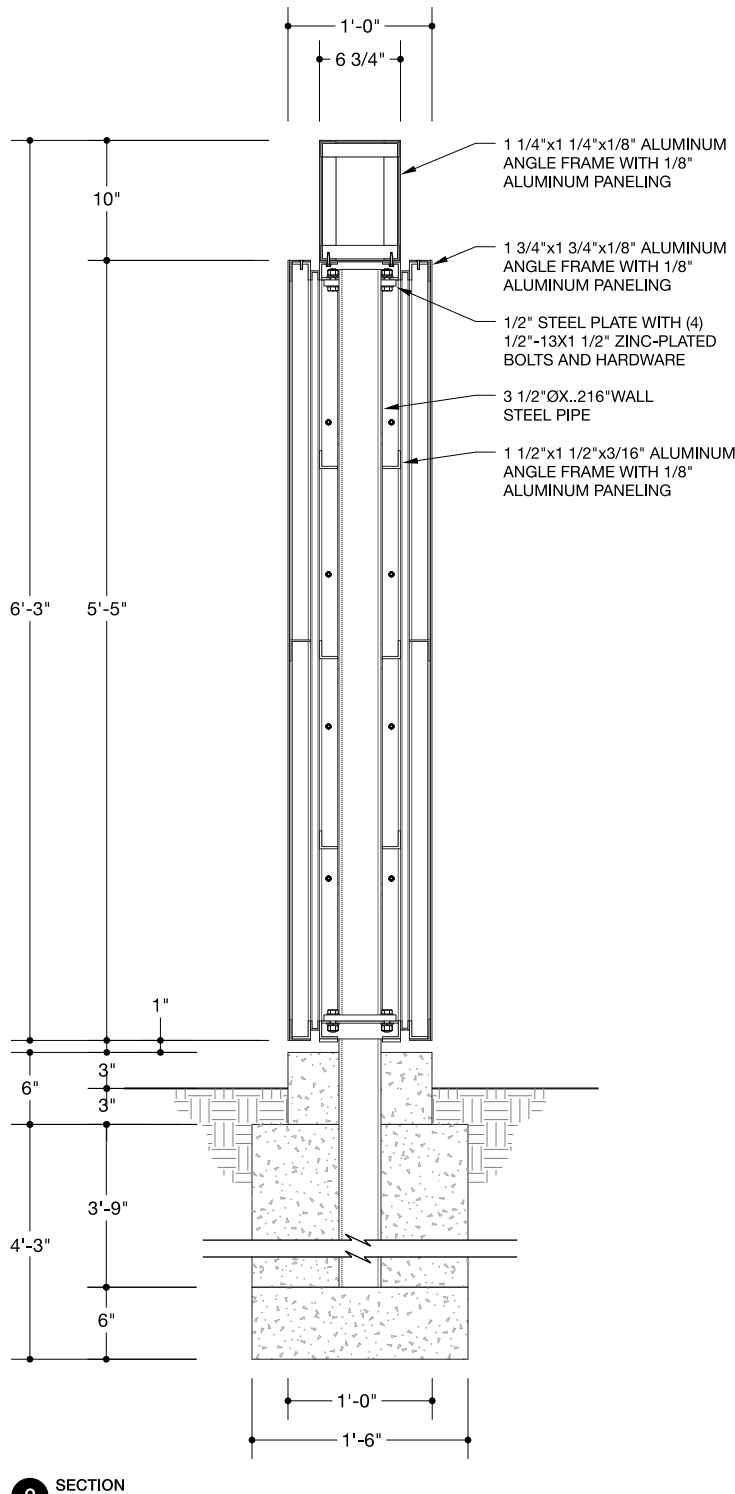
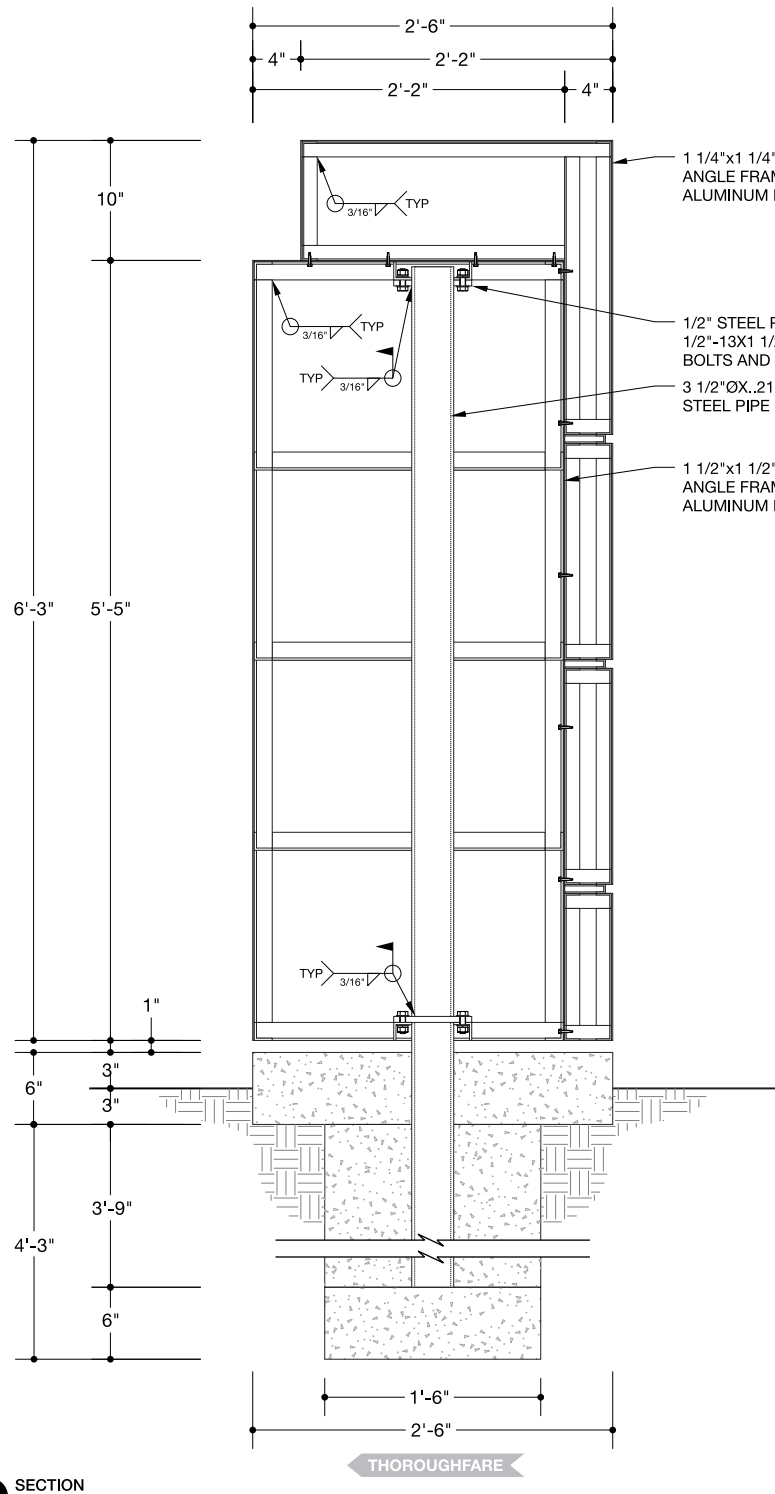
ISSUE

#	DATE	DESCRIPTION
00	08/21/2020	FOR CONSTRUCTION

SHEET DESIGNATION

E-1.2-02.0

RUNNING SHEET NUMBER 11



PROJECT INFORMATION

CLIENT
TEXAS A&M UNIVERSITY

PROJECT
MASTER CAMPUS WAYFINDING

PROJECT MGR **DESIGNER**

PROJECT #: 20-0136

SHEET DETAILS

ST 1.2
Secondary Vehicular Directional

DATE: 08/05/2020
SCALE: AS NOTED

FINISH AND MATERIAL SCHEDULE

P1	Powder-coat TG3870061 GRAY
P2	Powder-coat SW2716 Maroon
V1	Oracal 5700-010 White Reflective
V3	Oracal 751-049 King Blue

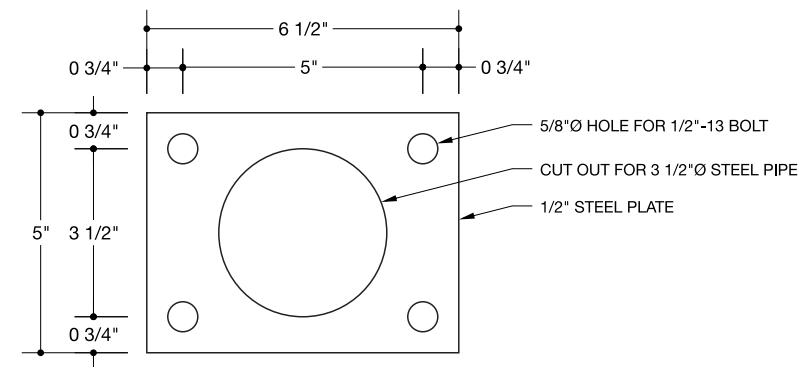
ISSUE

#	DATE	DESCRIPTION
00	08/21/2020	FOR CONSTRUCTION

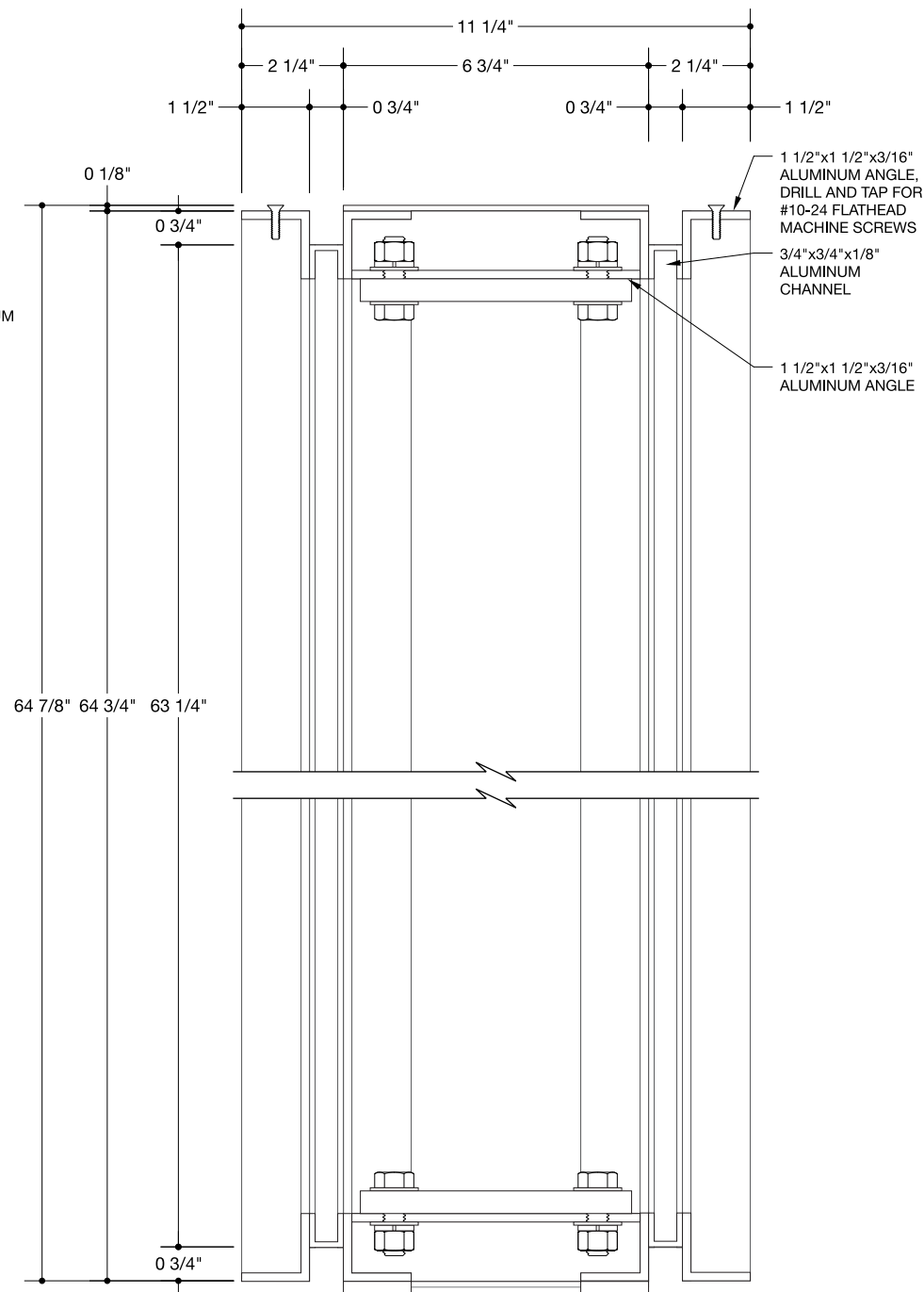
SHEET DESIGNATION

E-1.2-02.1

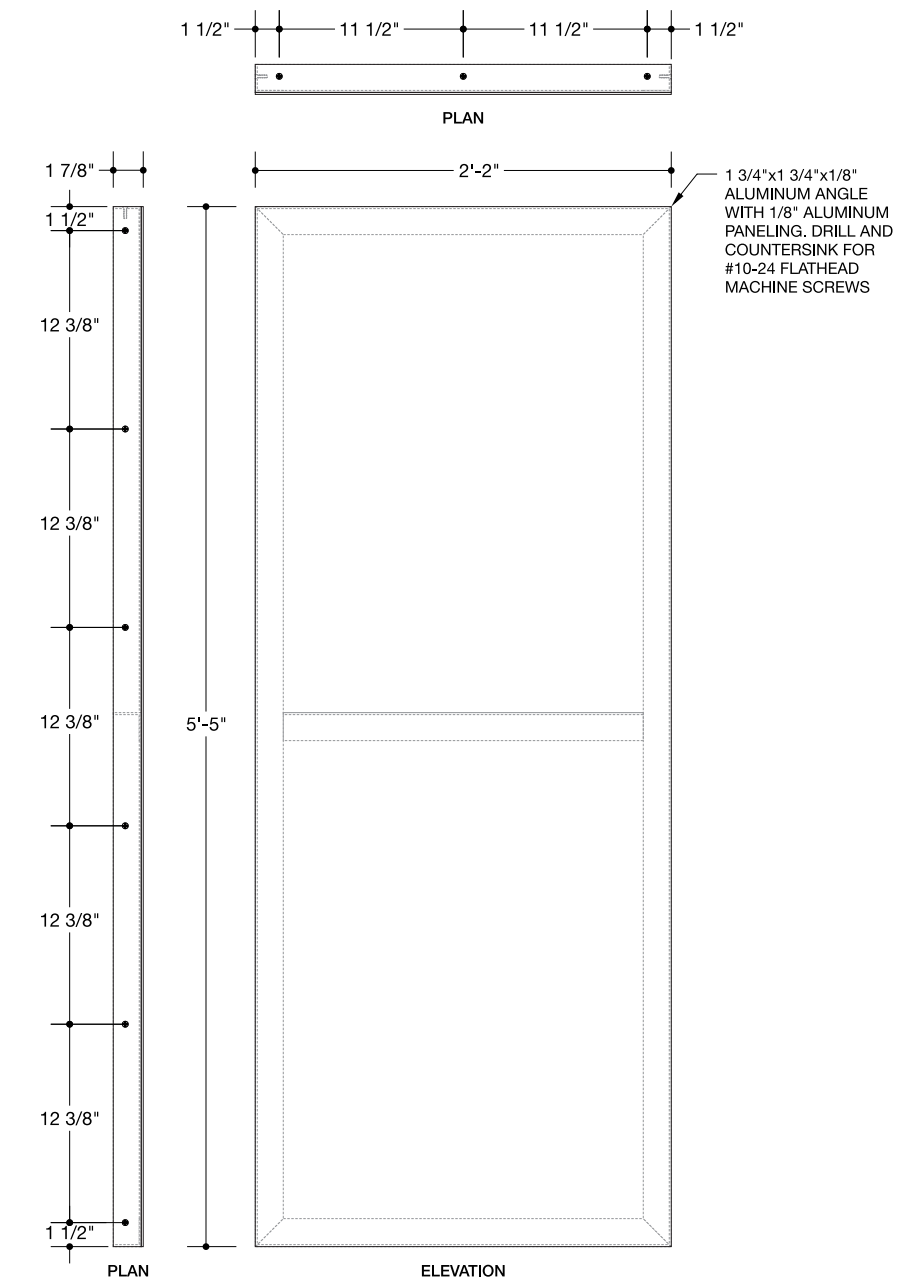
RUNNING SHEET NUMBER 12



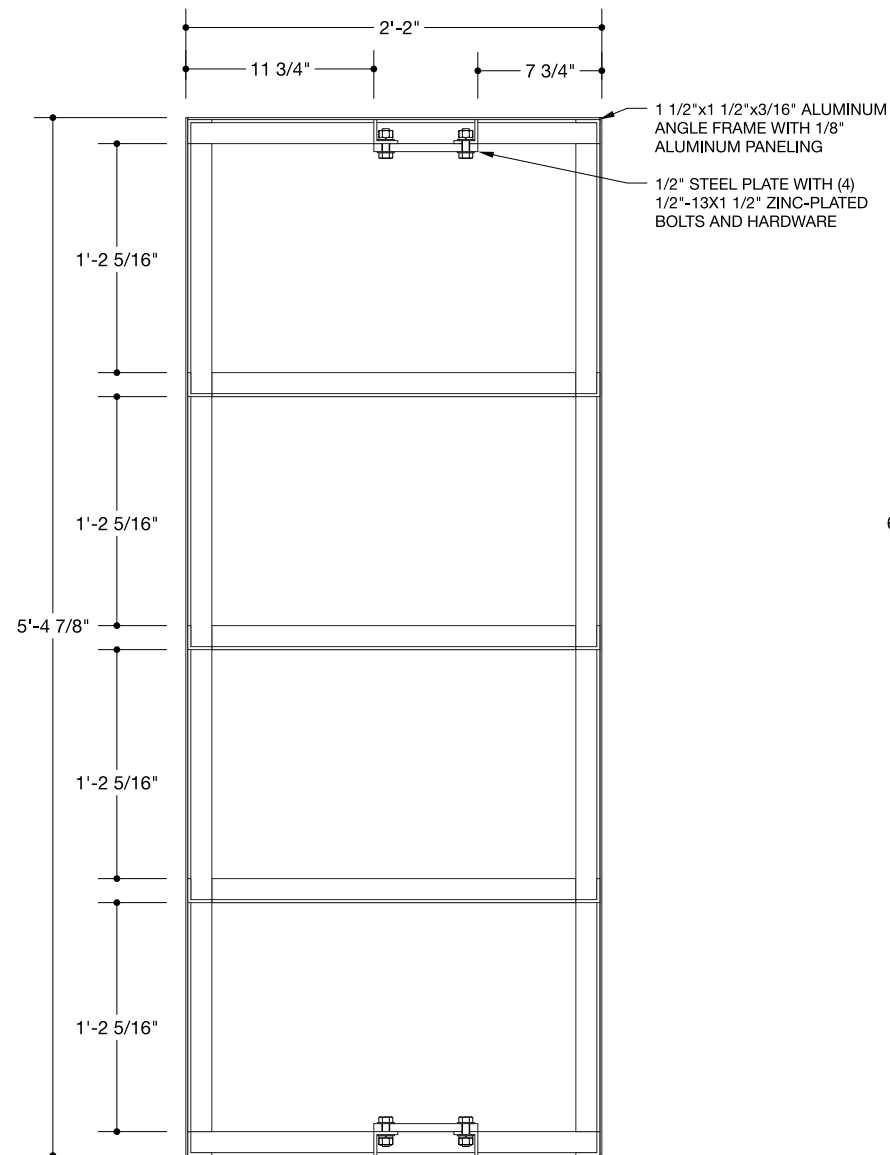
2 SADDLE PLATE
SCALE: 3"=1'



4 SECTION - MAIN CABINET
SCALE: 3"=1'



5 FABRICATED PAN
SCALE: 3"=1'



3 SECTION - MAIN CABINET
SCALE: 1"=1'

PROJECT INFORMATION

CLIENT
TEXAS A&M UNIVERSITY
PROJECT
MASTER CAMPUS WAYFINDING

PROJECT MGR **DESIGNER**

PROJECT #: 20-0136

SHEET DETAILS

ST 1.2
Secondary Vehicular Directional

DATE: 08/05/2020
SCALE: AS NOTED

FINISH AND MATERIAL SCHEDULE

P1	Powder-coat TG3870061 GRAY
P2	Powder-coat SW2716 Maroon
V1	Oracal 5700-010 White Reflective
V3	Oracal 751-049 King Blue

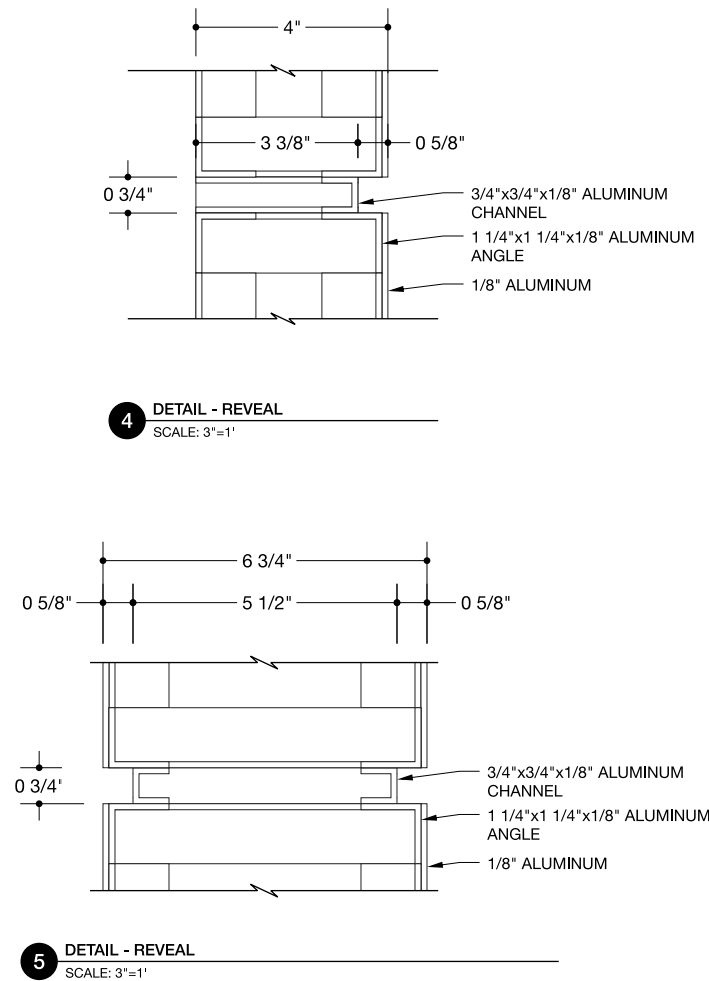
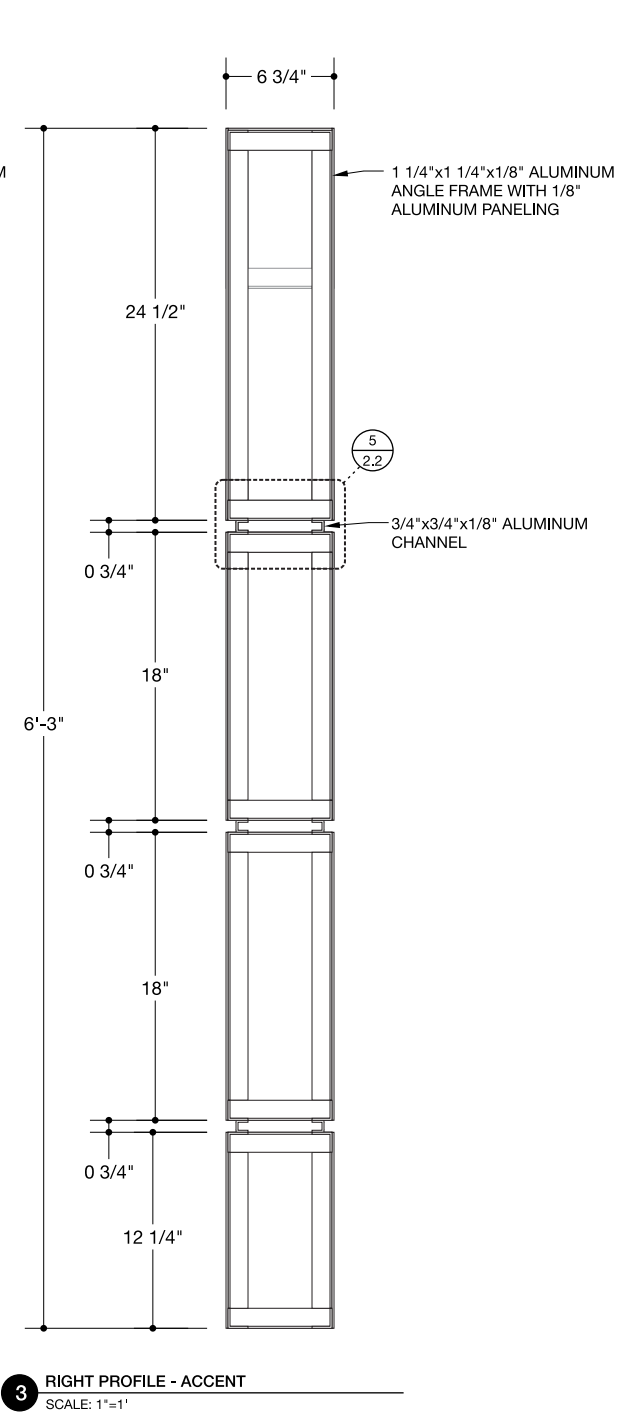
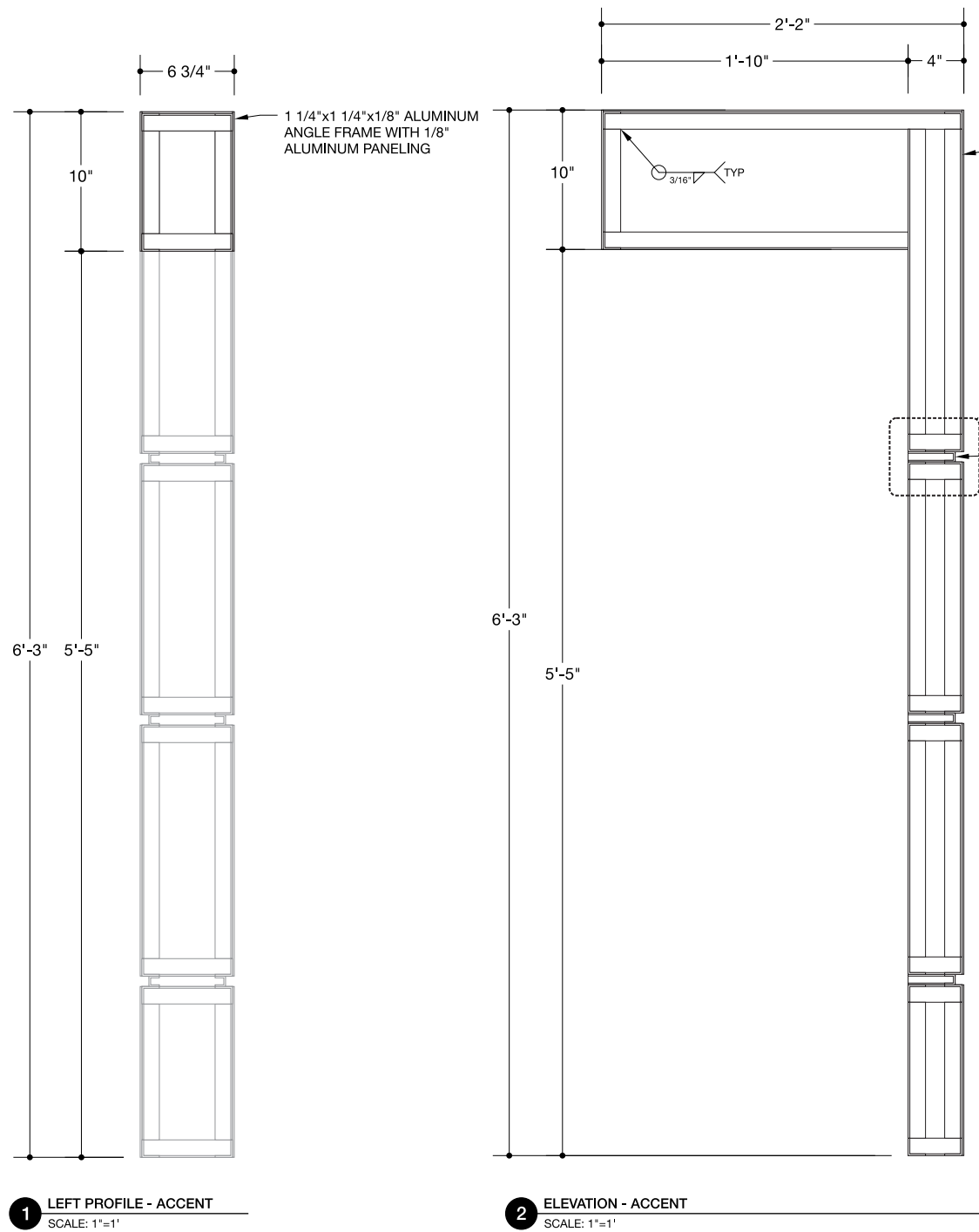
ISSUE

#	DATE	DESCRIPTION
00	08/21/2020	FOR CONSTRUCTION

SHEET DESIGNATION

E-1.2-02.2

RUNNING SHEET NUMBER 13



PROJECT INFORMATION

CLIENT
 TEXAS A&M UNIVERSITY

PROJECT
 MASTER CAMPUS WAYFINDING

PROJECT MGR **DESIGNER**

PROJECT #: 20-0136

SHEET DETAILS

ST 1.3
 Supplemental Vehicular Directional

DATE: 08/05/2020
 SCALE: AS NOTED

FINISH AND MATERIAL SCHEDULE

P1	Powder-coat TG3870061 GRAY
P2	Powder-coat SW2716 Maroon
P3	Powder-coat Campus Standard Bronze
V1	Oracal 5700-010 White Reflective

ISSUE

#	DATE	DESCRIPTION
00	08/21/2020	FOR CONSTRUCTION

SHEET DESIGNATION

E-1.3-01.0

RUNNING SHEET NUMBER 14

DETAILS

1. 1/8" aluminum message panel, top accent Powder-coat all visible surfaces SW2716 Maroon. Copy field powder-coat all visible surfaces TG3870061 Gray. Message panel mechanically fastens to aluminum square post with aluminum angle mounting brackets and countersunk fasteners

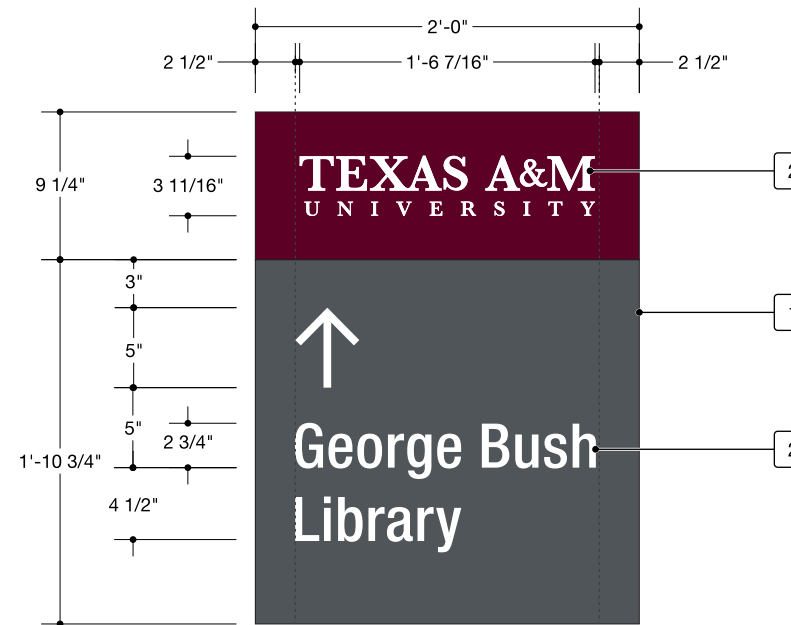
2. Contour-cut vinyl logo, copy, and symbols, Oracal 5700-010 White Reflective
 Typeface: Helvetica Neue LT Std Medium Condensed

3. Campus standard bronze anodized stock square sign post

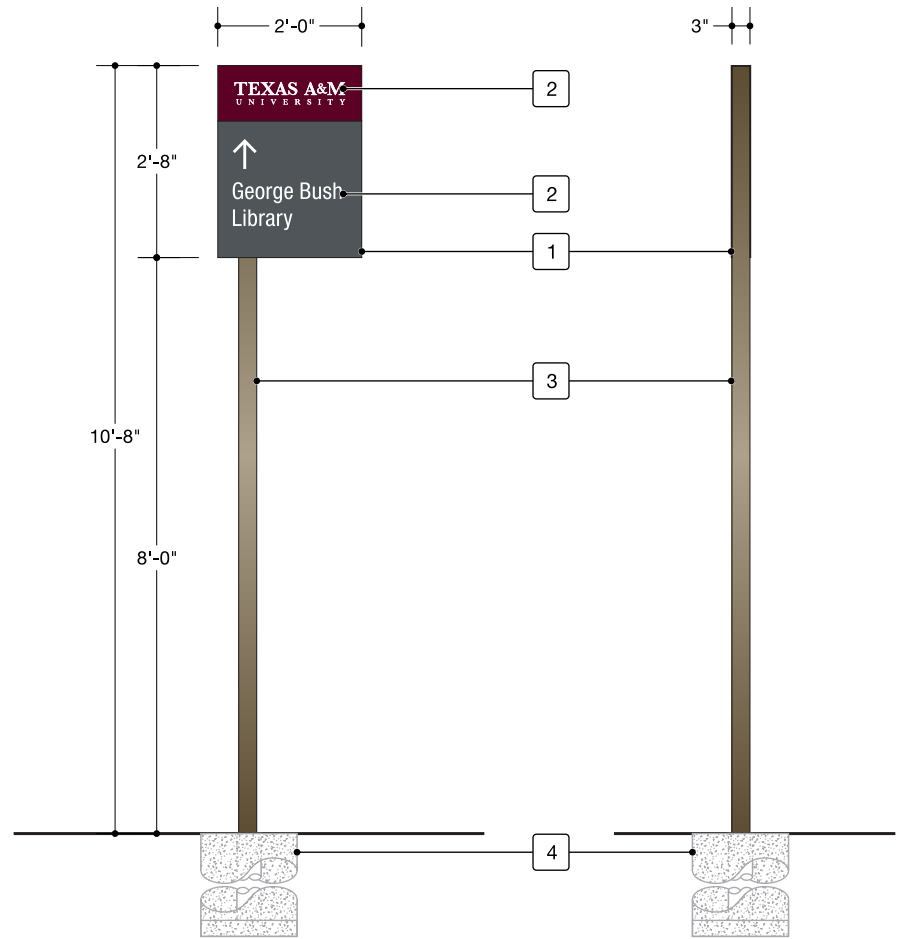
4. Concrete pier, 2500PSI Concrete

NOTES

- Sign post to be direct bury.
- Messages shown here for representation only. All messaging By Others. Vinyl to be produced By Others.
- Powder-coat samples must be approved by the Office of the University Architect prior to fabrication of signs. Powder Coat color may require custom blending.



3 MESSAGE PANEL DETAILS
 SCALE: 1"=1'



1 ELEVATION - SIDE A
 SCALE: 3/8"=1'

2 RIGHT PROFILE
 SCALE: 3/8"=1'



4 ELEVATION - SIDE B
 SCALE: 1/4"=1'

PROJECT INFORMATION

CLIENT
TEXAS A&M UNIVERSITY
PROJECT
MASTER CAMPUS WAYFINDING

PROJECT MGR **DESIGNER**

PROJECT #: 20-0136

SHEET DETAILS

ST 1.3
Supplemental Vehicular Directional

DATE: 08/05/2020
SCALE: AS NOTED

FINISH AND MATERIAL SCHEDULE

- P1** Powder-coat
TG3870061 GRAY
- P2** Powder-coat
SW2716 Maroon
- P3** Powder-coat
Campus Standard Bronze
- V1** Oracal 5700-010
White Reflective

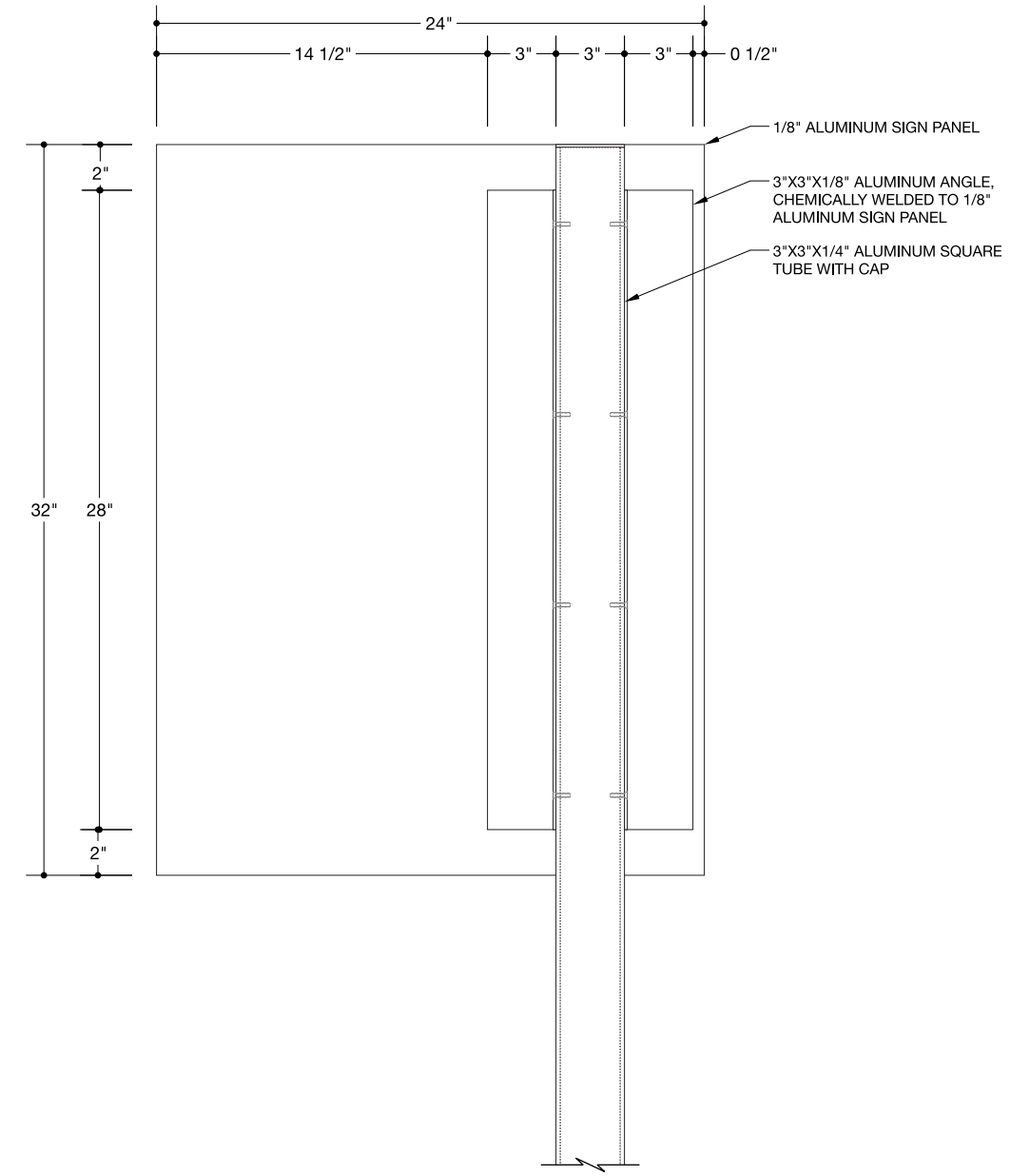
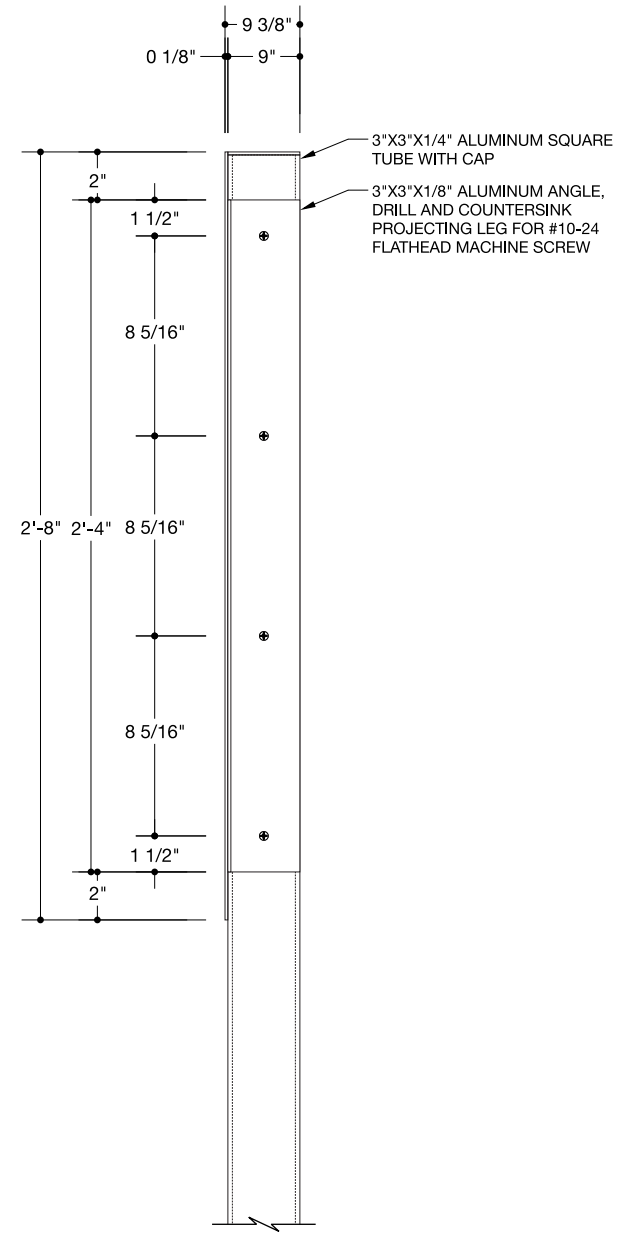
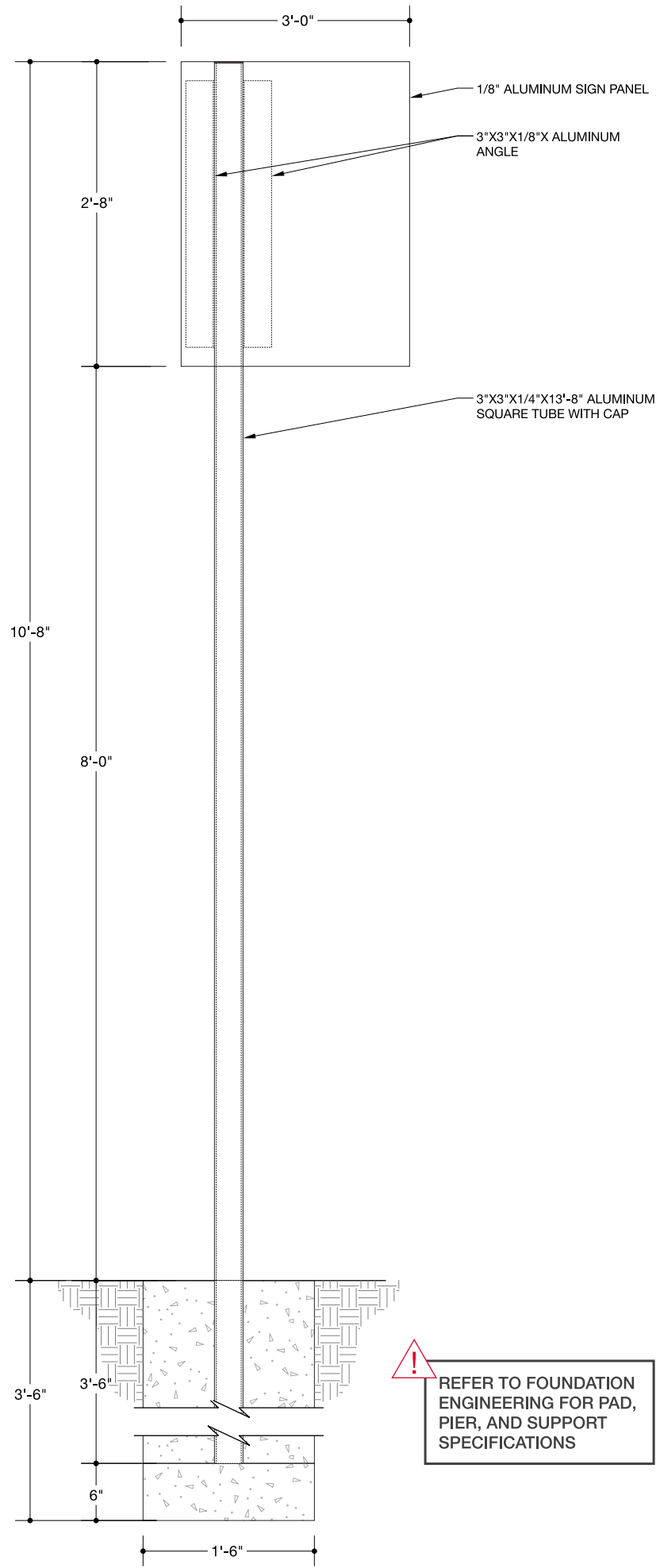
ISSUE

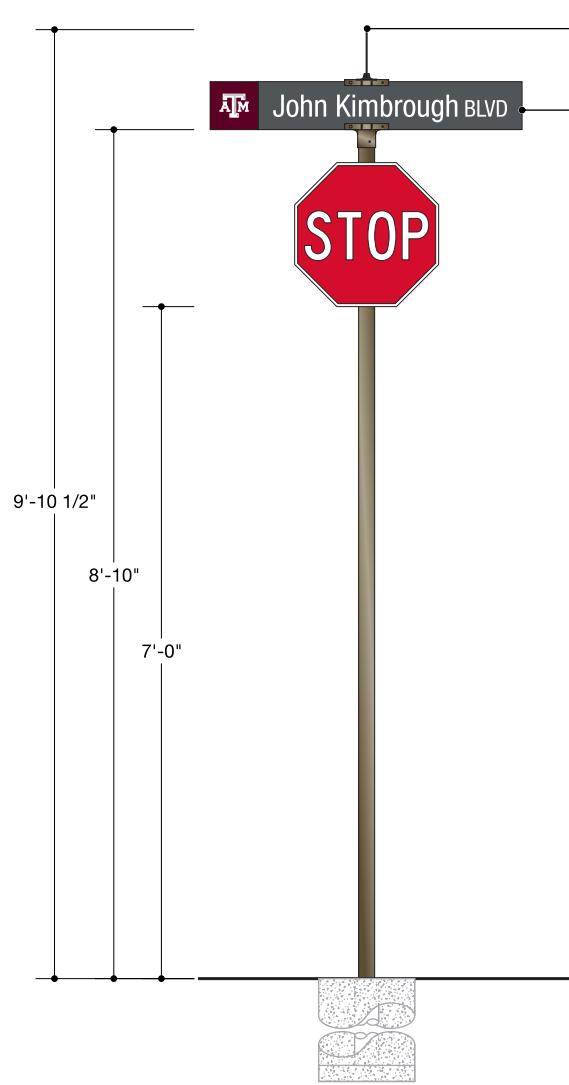
#	DATE	DESCRIPTION
00	08/21/2020	FOR CONSTRUCTION

SHEET DESIGNATION

E-1.3-02.0

RUNNING SHEET NUMBER 15

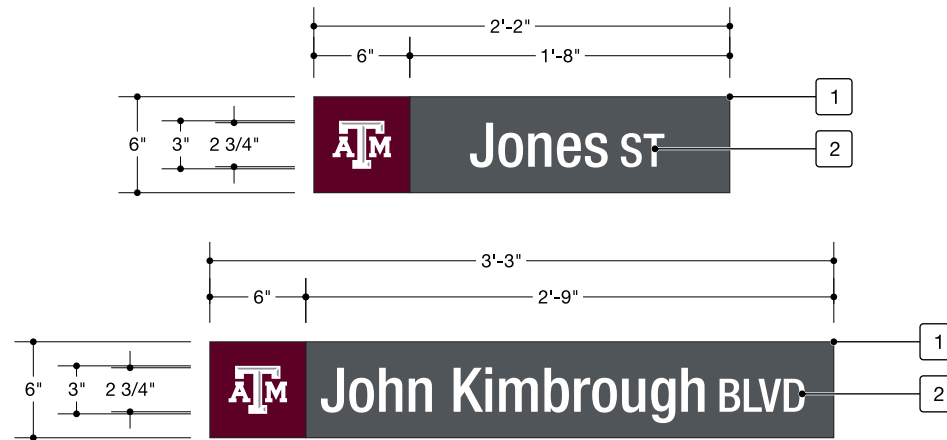




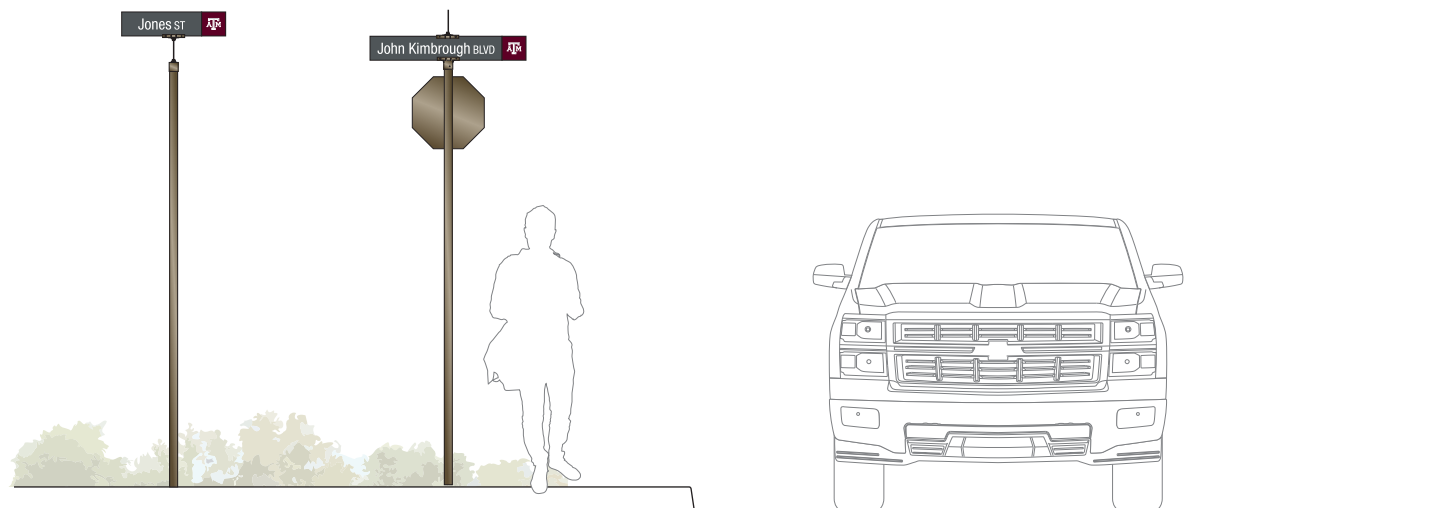
1 ELEVATION - SIDE A
SCALE: 1/2"=1'



2 ELEVATION - SIDE B
SCALE: 1/2"=1'



3 MESSAGE PANEL DETAILS
SCALE: 1"=1'



4 ELEVATION - SIDE B
SCALE: 1/4"=1'

DETAILS

1. Custom 1/8" aluminum blade sign, Logo field Powder-coat all visible surfaces SW2716 Maroon. Copy field powder-coat all visible surfaces TG3870061 Gray.
2. Contour-cut vinyl logo and copy, Oracal 5700-010 White Reflective
Typeface: Helvetica Neue LT Std Medium Condensed

NOTES

1. Sign post, stop sign, and blade sign brackets By Others
2. Messages shown here for representation only. All messaging By Others. Vinyl to be produced By Others.
3. Powder-coat samples must be approved by the Office of the University Architect prior to fabrication of signs. Powder Coat color may require custom blending.



4543 Brittmoore Road
Houston, Texas 77041
281.971.9529
vistexgraphics.com

PROJECT INFORMATION

CLIENT
TEXAS A&M UNIVERSITY
PROJECT
MASTER CAMPUS WAYFINDING

PROJECT MGR **DESIGNER**

PROJECT #: 20-0136

SHEET DETAILS

ST 1.4
Street Identification

DATE: 08/05/2020
SCALE: AS NOTED

FINISH AND MATERIAL SCHEDULE

P1	Powder-coat TG3870061 GRAY
P2	Powder-coat SW2716 Maroon
P3	Powder-coat Campus Standard Bronze
V1	Oracal 5700-010 White Reflective

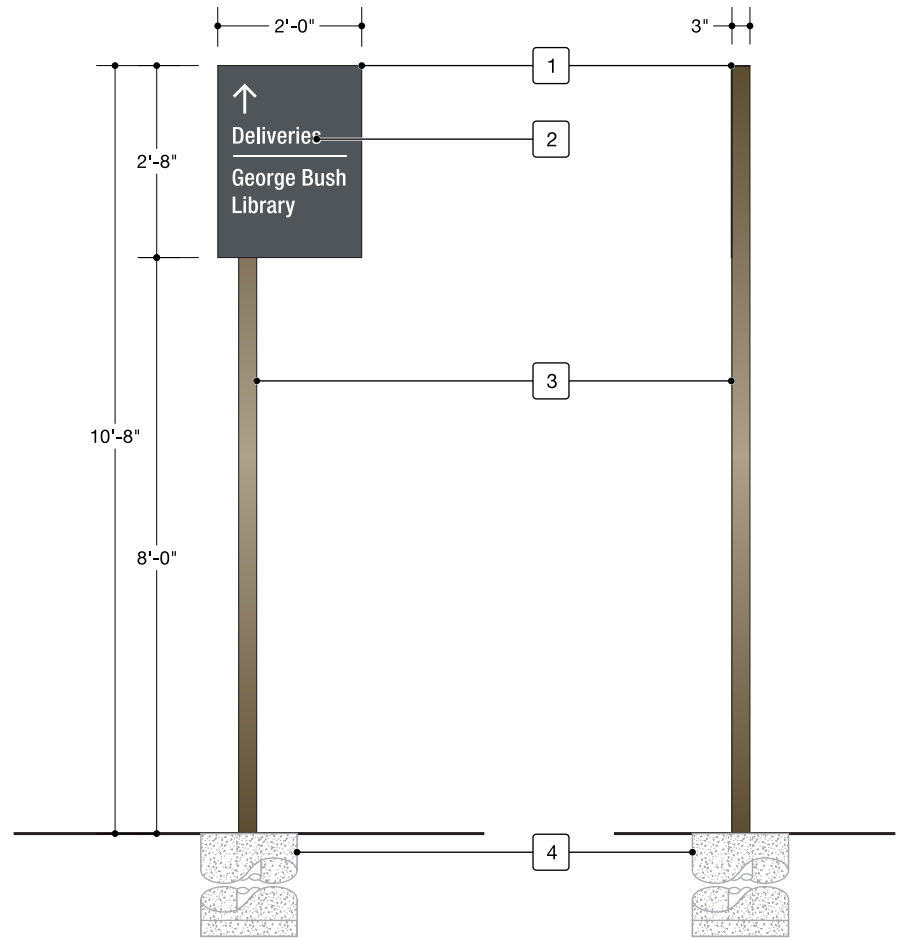
ISSUE

#	DATE	DESCRIPTION
00	08/21/2020	FOR CONSTRUCTION

SHEET DESIGNATION

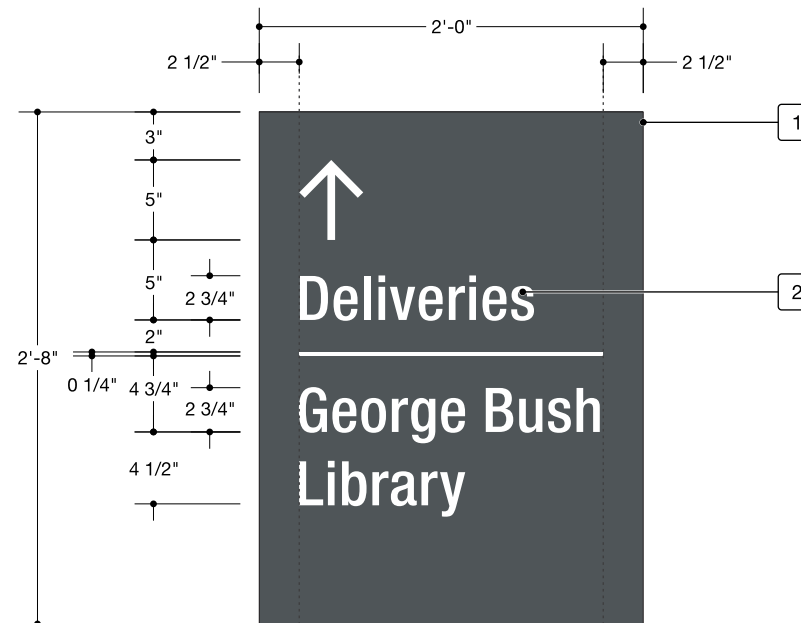
E-1.4-01.0

RUNNING SHEET NUMBER 16

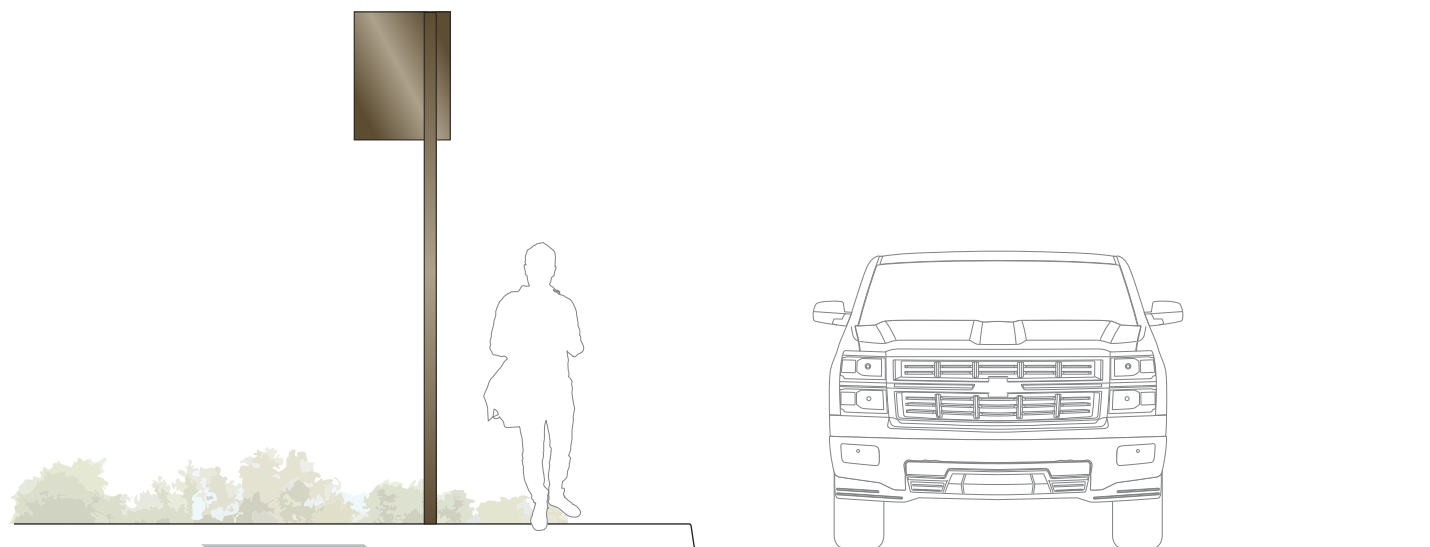


1 ELEVATION - SIDE A
SCALE: 3/8"=1'

2 RIGHT PROFILE
SCALE: 3/8"=1'



3 MESSAGE PANEL DETAILS
SCALE: 1"=1'



4 ELEVATION - SIDE B
SCALE: 1/4"=1'

DETAILS

- 1/8" aluminum message panel, top accent Powder-coat all visible surfaces SW2716 Maroon. Copy field powder-coat all visible surfaces TG3870061 Gray. Message panel mechanically fastens to aluminum square post with aluminum angle mounting brackets and countersunk fasteners
- Contour-cut vinyl logo, copy, and symbols, Oracal 5700-010 White Reflective
Typeface: Helvetica Neue LT Std Medium Condensed
- Campus standard bronze anodized stock square sign post
- Concrete pier, 2500PSI Concrete

NOTES

- Sign post to be direct bury.
- Messages shown here for representation only. All messaging By Others. Vinyl to be produced By Others.
- Powder-coat samples must be approved by the Office of the University Architect prior to fabrication of signs. Powder Coat color may require custom blending.



4543 Brittmoore Road
Houston, Texas 77041
281.971.9529
vistexgraphics.com

PROJECT INFORMATION

CLIENT
TEXAS A&M UNIVERSITY

PROJECT
MASTER CAMPUS WAYFINDING

PROJECT MGR **DESIGNER**

PROJECT #: 20-0136

SHEET DETAILS

ST 1.5
Supplemental Vehicular Directional

DATE: 08/05/2020
SCALE: AS NOTED

FINISH AND MATERIAL SCHEDULE

P1	Powder-coat TG3870061 GRAY
P3	Powder-coat Campus Standard Bronze
V1	Oracal 5700-010 White Reflective

ISSUE

#	DATE	DESCRIPTION
00	08/21/2020	FOR CONSTRUCTION

SHEET DESIGNATION

E-1.5-01.0

RUNNING SHEET NUMBER 17

PROJECT INFORMATION

CLIENT
TEXAS A&M UNIVERSITY
PROJECT
MASTER CAMPUS WAYFINDING

PROJECT MGR **DESIGNER**

PROJECT #: 20-0136

SHEET DETAILS

ST 1.5
Supplemental Vehicular Directional

DATE: 08/05/2020
SCALE: AS NOTED

FINISH AND MATERIAL SCHEDULE

- P1** Powder-coat
TG3870061 GRAY
- P3** Powder-coat
Campus Standard Bronze
- V1** Oracal 751-010
White

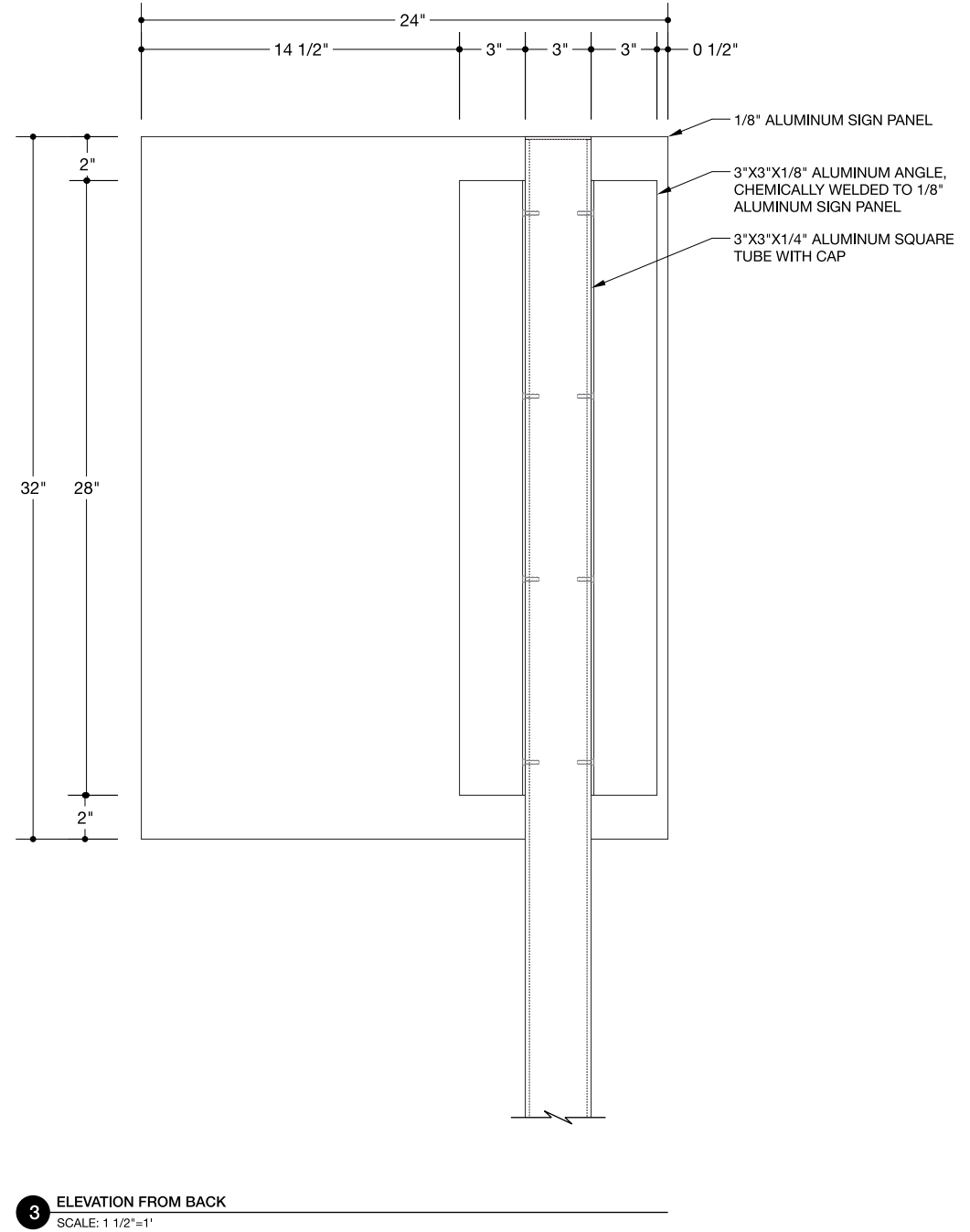
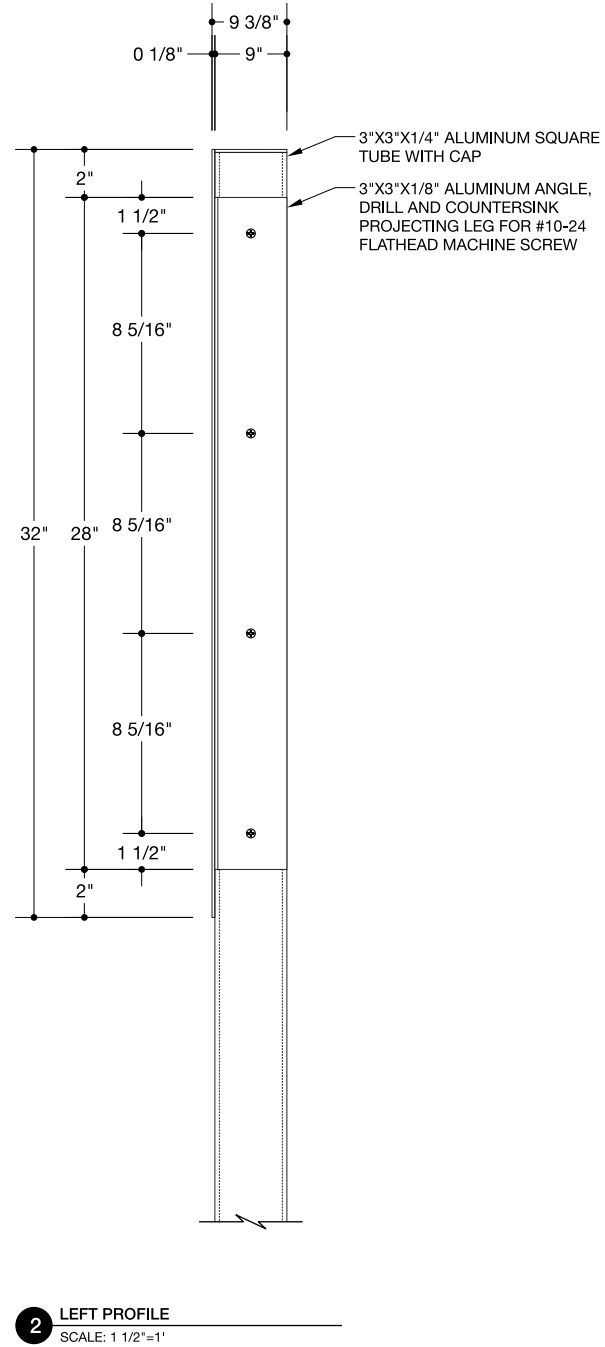
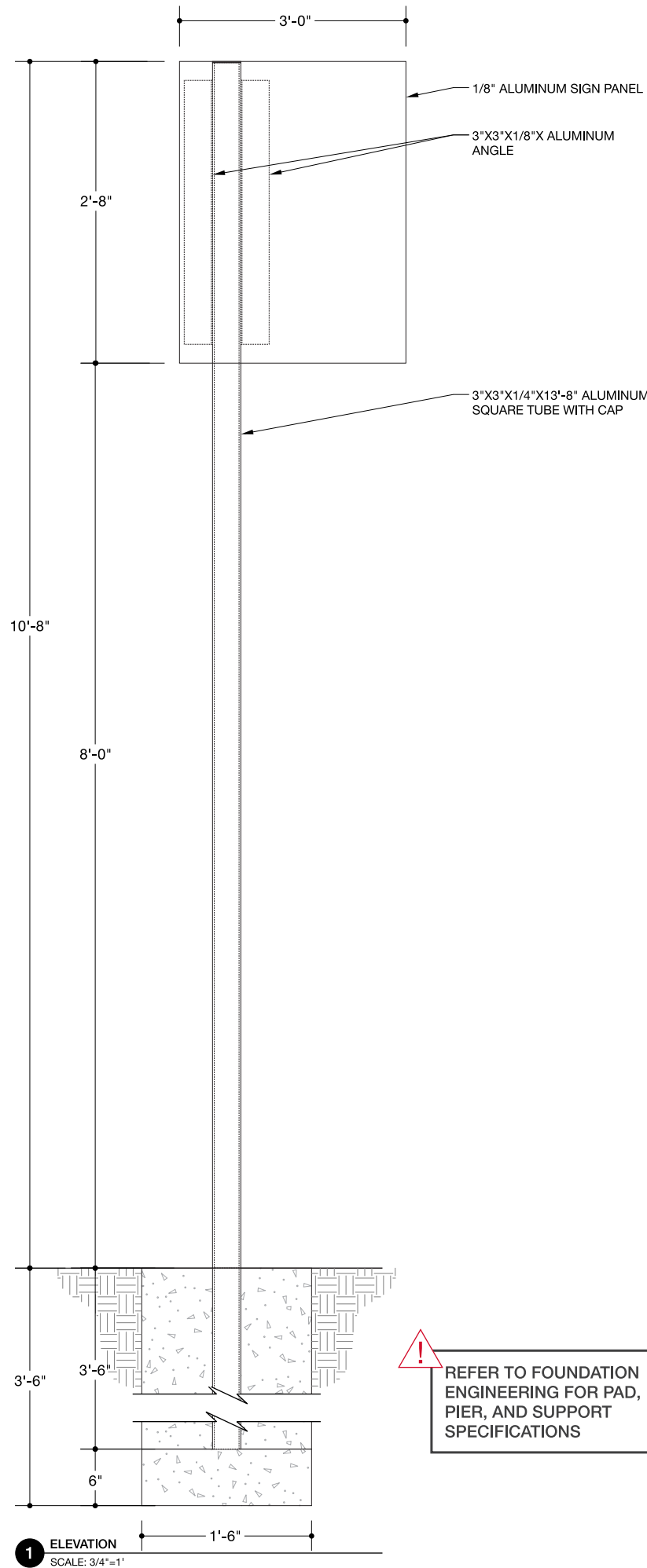
ISSUE

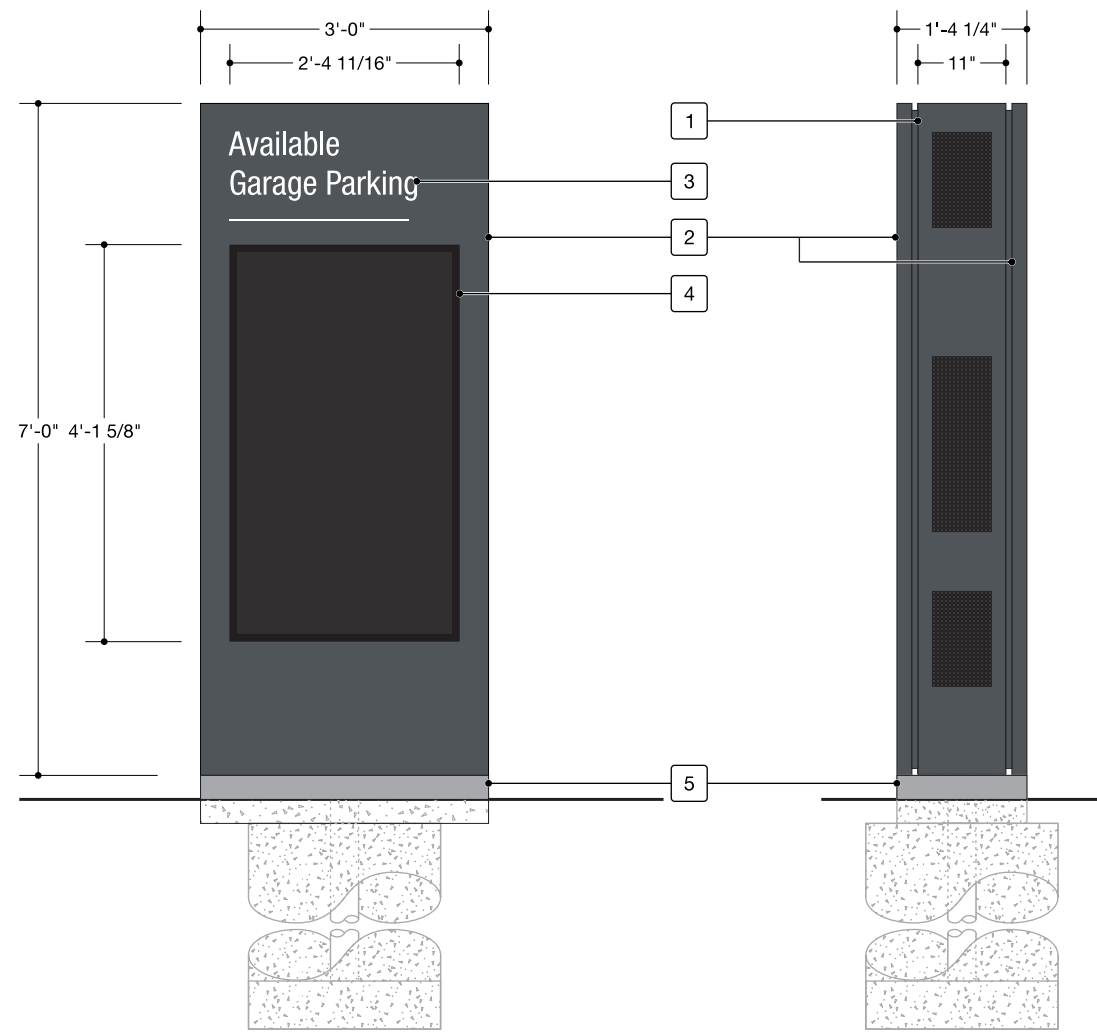
#	DATE	DESCRIPTION
00	08/21/2020	FOR CONSTRUCTION

SHEET DESIGNATION

E-1.5-02.0

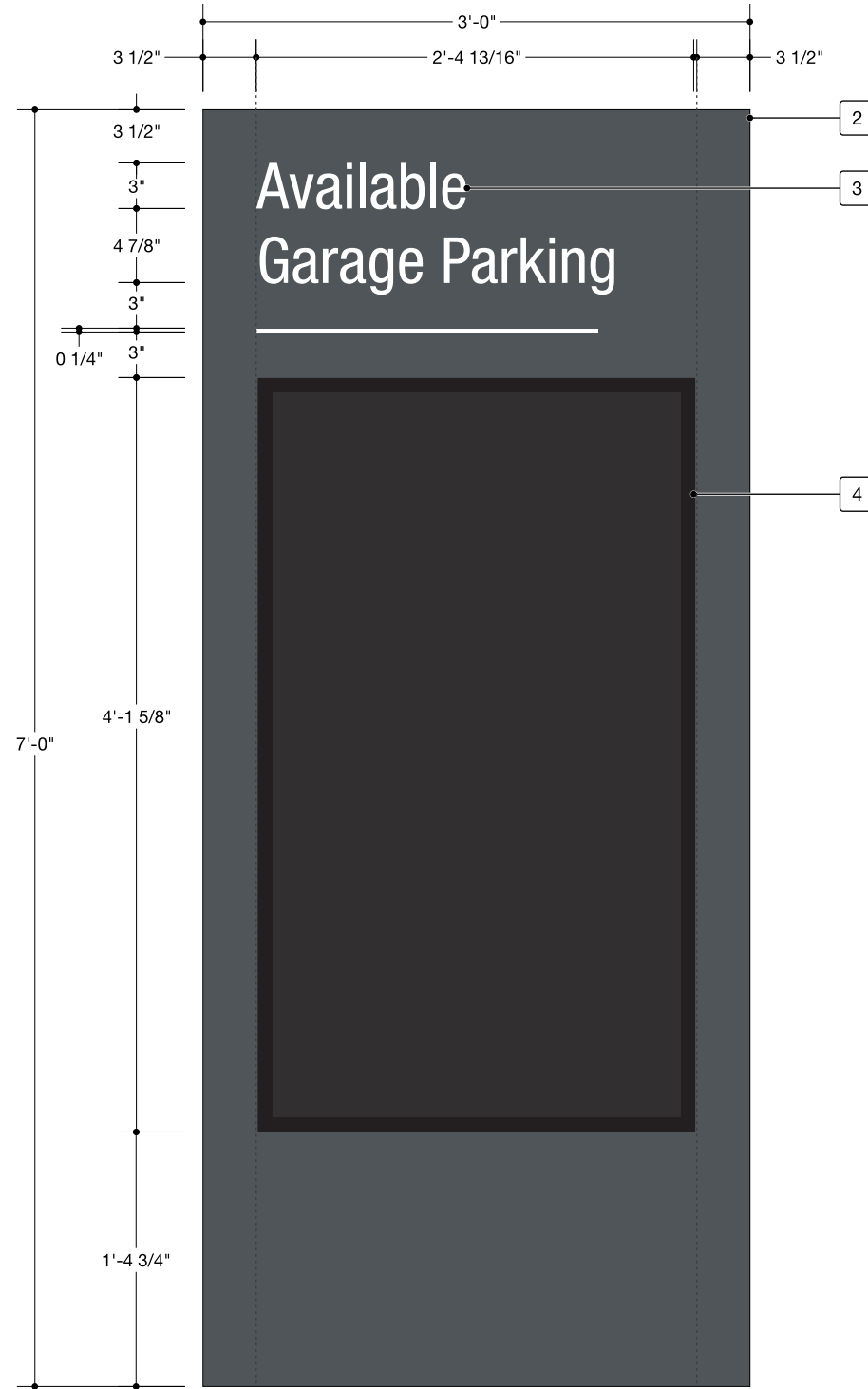
RUNNING SHEET NUMBER 18





1 ELEVATION - SIDE A
SCALE: 1/2"=1'

2 RIGHT PROFILE
SCALE: 1/2"=1'



3 MESSAGE PANEL DETAILS
SCALE: 1"=1'

DETAILS

1. Fabricated aluminum angle cabinet with 1/8" aluminum paneling. Powder-coat all visible surfaces TG3870061 Gray. .
2. Fabricated aluminum angle pan with 1/8" aluminum paneling powder-coat all visible surfaces TG3870061 Gray. . Fabricated pan secures to primary cabinet with counter sunk #10-24 flat head machine screws and is removable.
3. Contour-cut vinyl logo, copy, and symbols, Oracal 5700-010 White Reflective
Typeface: Helvetica Neue LT Std Medium Condensed
4. Samsung OH55F LED Display, programmable. Display and installation By Others
5. 6" Concrete pad and pier foundation, 2500PSI Concrete

NOTES

1. Messages shown here for representation only. All messaging By Others. Vinyl to be produced By Others.
2. Powder-coat samples must be approved by the Office of the University Architect prior to fabrication of signs. Powder Coat color may require custom blending.

PROJECT INFORMATION

CLIENT
TEXAS A&M UNIVERSITY
PROJECT
MASTER CAMPUS WAYFINDING

PROJECT MGR **DESIGNER**

PROJECT #: 20-0136

SHEET DETAILS

ST 2.1
Available Parking Identity

DATE: 08/05/2020
SCALE: AS NOTED

FINISH AND MATERIAL SCHEDULE

P1	Powder-coat TG3870061 GRAY
V1	Oracal 5700-010 White Reflective

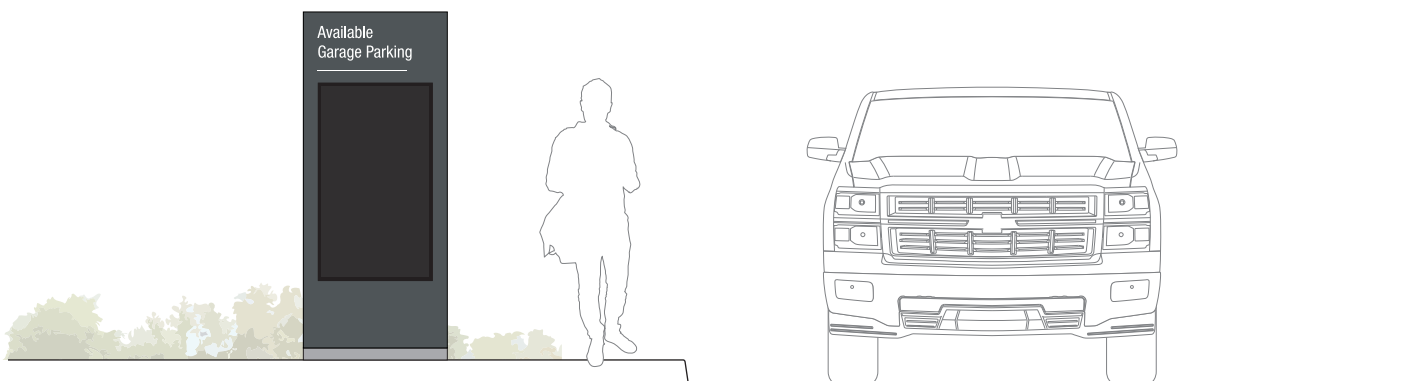
ISSUE

#	DATE	DESCRIPTION
00	08/21/2020	FOR CONSTRUCTION

SHEET DESIGNATION

E-2.1-01.0

RUNNING SHEET NUMBER 19



4 ELEVATION - SIDE B
SCALE: 1/4"=1'

PROJECT INFORMATION

CLIENT
TEXAS A&M UNIVERSITY

PROJECT
MASTER CAMPUS WAYFINDING

PROJECT MGR **DESIGNER**

PROJECT #: 20-0136

SHEET DETAILS

ST 2.1
Available Parking Identity

DATE: 08/05/2020
SCALE: AS NOTED

FINISH AND MATERIAL SCHEDULE

- P1** Powder-coat
TG3870061 GRAY
- V1** Oracal 5700-010
White Reflective

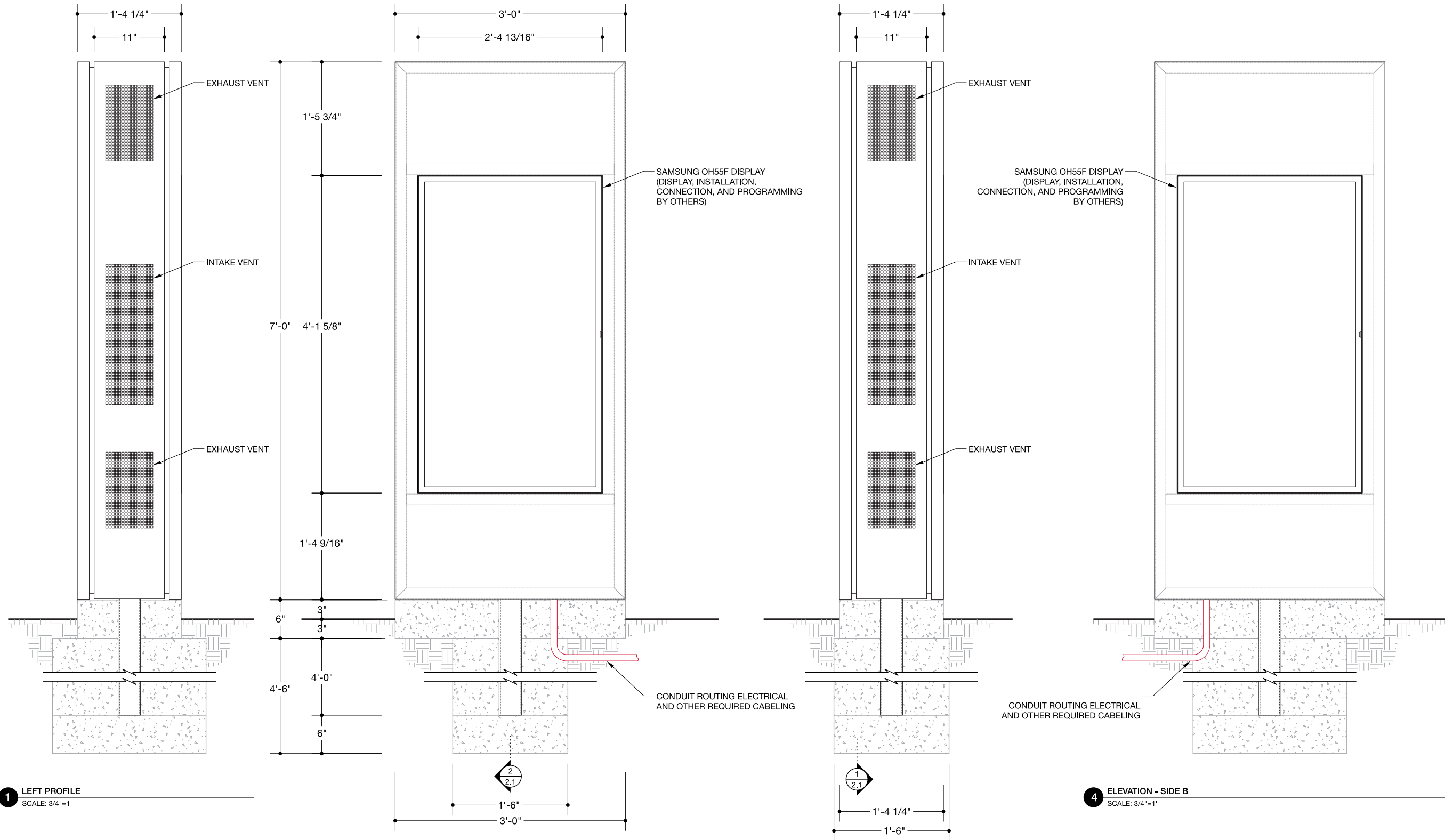
ISSUE

#	DATE	DESCRIPTION
00	08/21/2020	FOR CONSTRUCTION

SHEET DESIGNATION

E-2.1-02.0

RUNNING SHEET NUMBER 20



1 LEFT PROFILE
SCALE: 3/4"=1'

2 ELEVATION - SIDE A
SCALE: 3/4"=1'

3 RIGHT PROFILE
SCALE: 3/4"=1'

4 ELEVATION - SIDE B
SCALE: 3/4"=1'

PROJECT INFORMATION

CLIENT
TEXAS A&M UNIVERSITY

PROJECT
MASTER CAMPUS WAYFINDING

PROJECT MGR **DESIGNER**

PROJECT #: 20-0136

SHEET DETAILS

ST 2.1
Available Parking Identity

DATE: 08/05/2020
SCALE: AS NOTED

FINISH AND MATERIAL SCHEDULE

P1	Powder-coat TG3870061 GRAY
V1	Oracal 5700-010 White Reflective

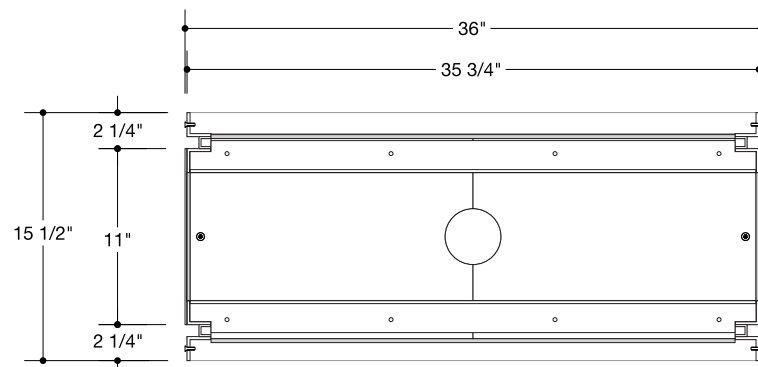
ISSUE

#	DATE	DESCRIPTION
00	08/21/2020	FOR CONSTRUCTION

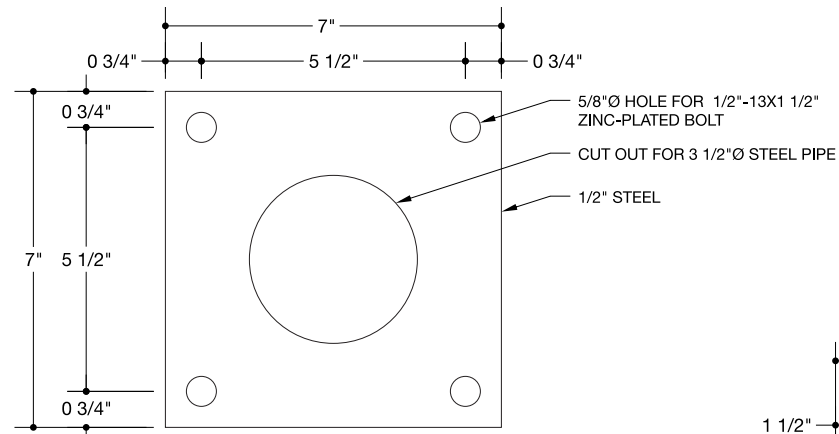
SHEET DESIGNATION

E-2.1-02.2

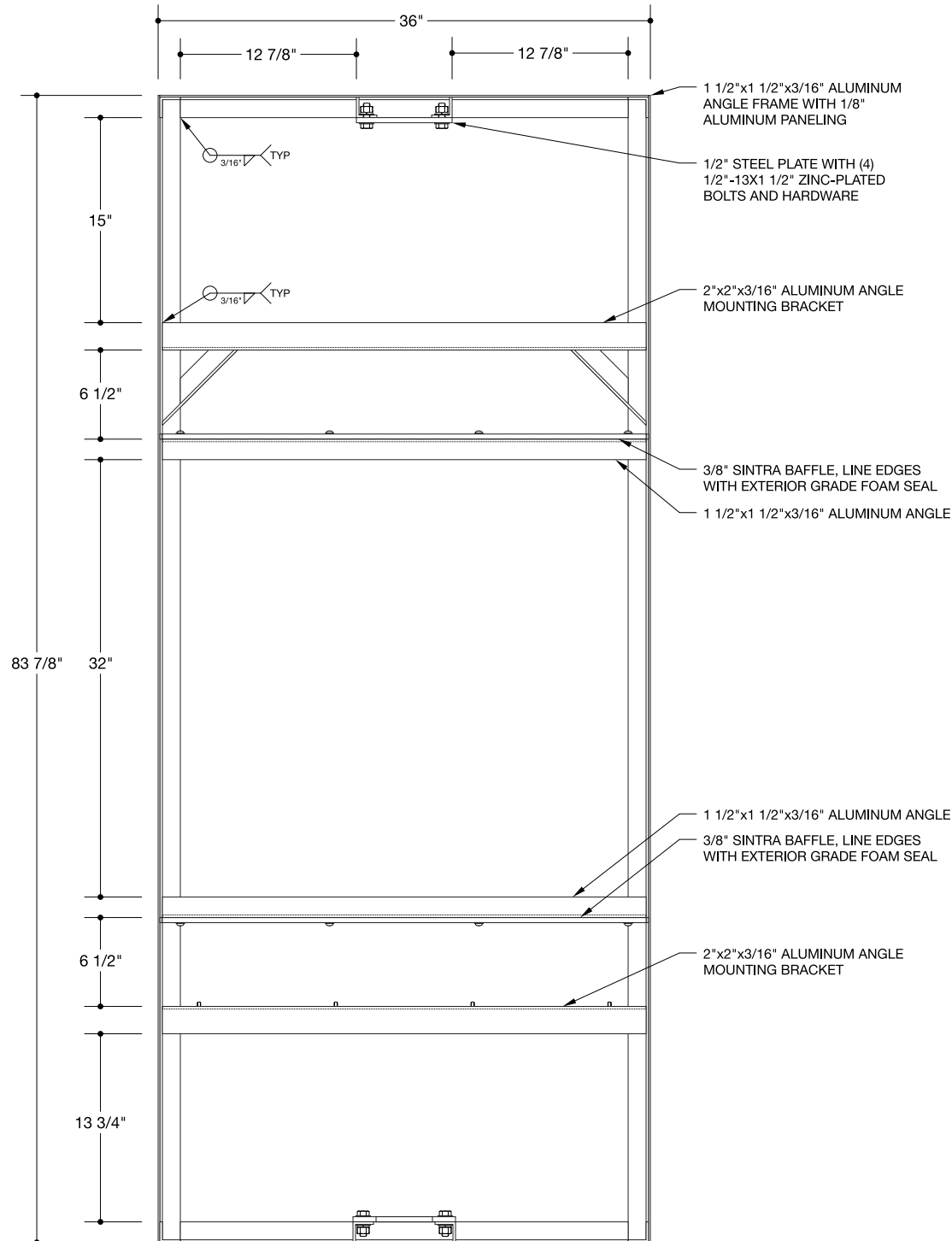
RUNNING SHEET NUMBER 21



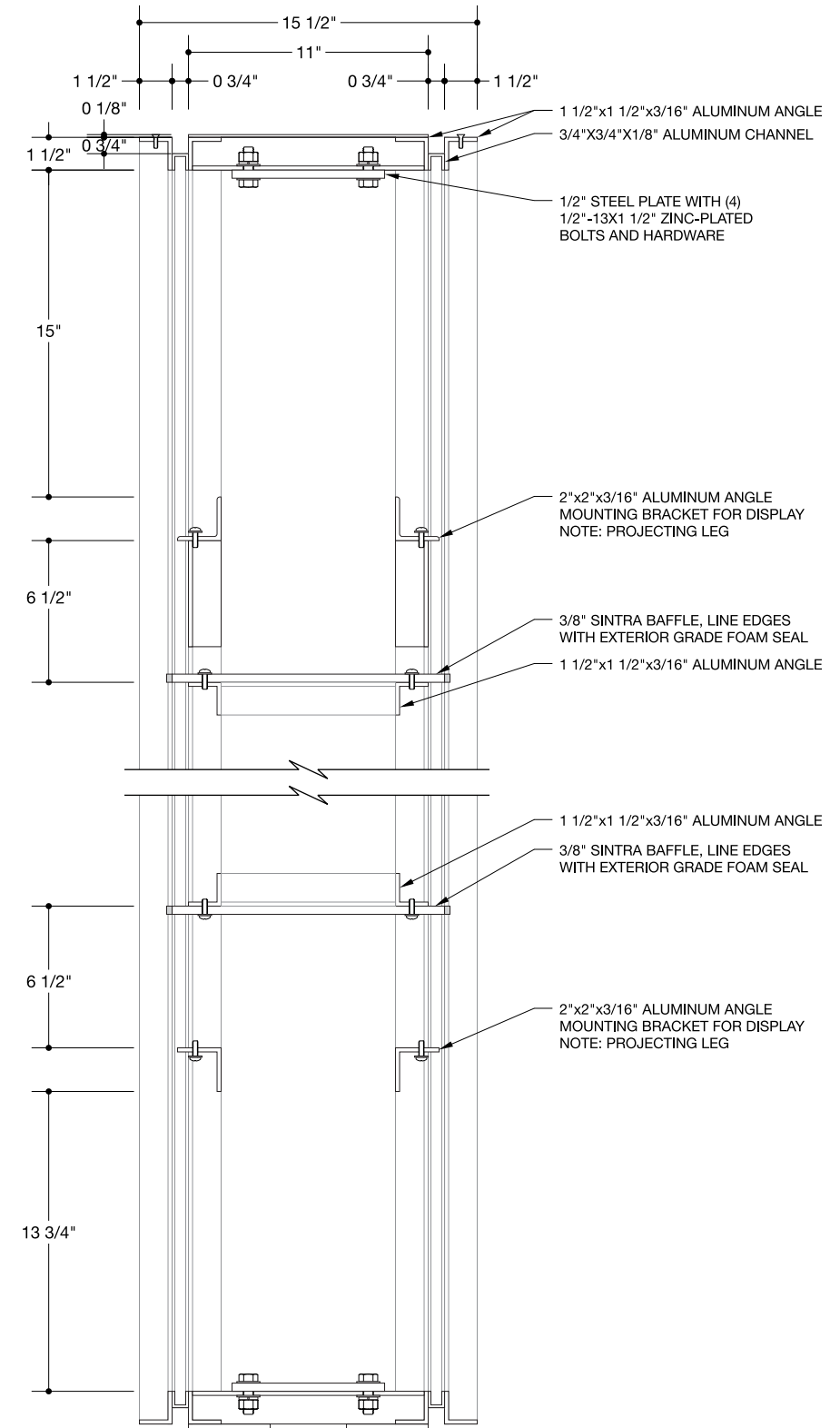
1 SECTION
SCALE: 1"=1'



2 SADDLE PLATE
SCALE: 3"=1'



3 SECTION
SCALE: 1"=1'



4 SECTION - ENLARGEMENT
SCALE: 1 1/2"=1'

PROJECT INFORMATION

CLIENT
TEXAS A&M UNIVERSITY
PROJECT
MASTER CAMPUS WAYFINDING

PROJECT MGR **DESIGNER**

PROJECT #: 20-0136

SHEET DETAILS

ST 2.1
Available Parking Identity

DATE: 08/05/2020
SCALE: AS NOTED

FINISH AND MATERIAL SCHEDULE

P1	Powder-coat TG3870061 GRAY
V1	Oracal 5700-010 White Reflective

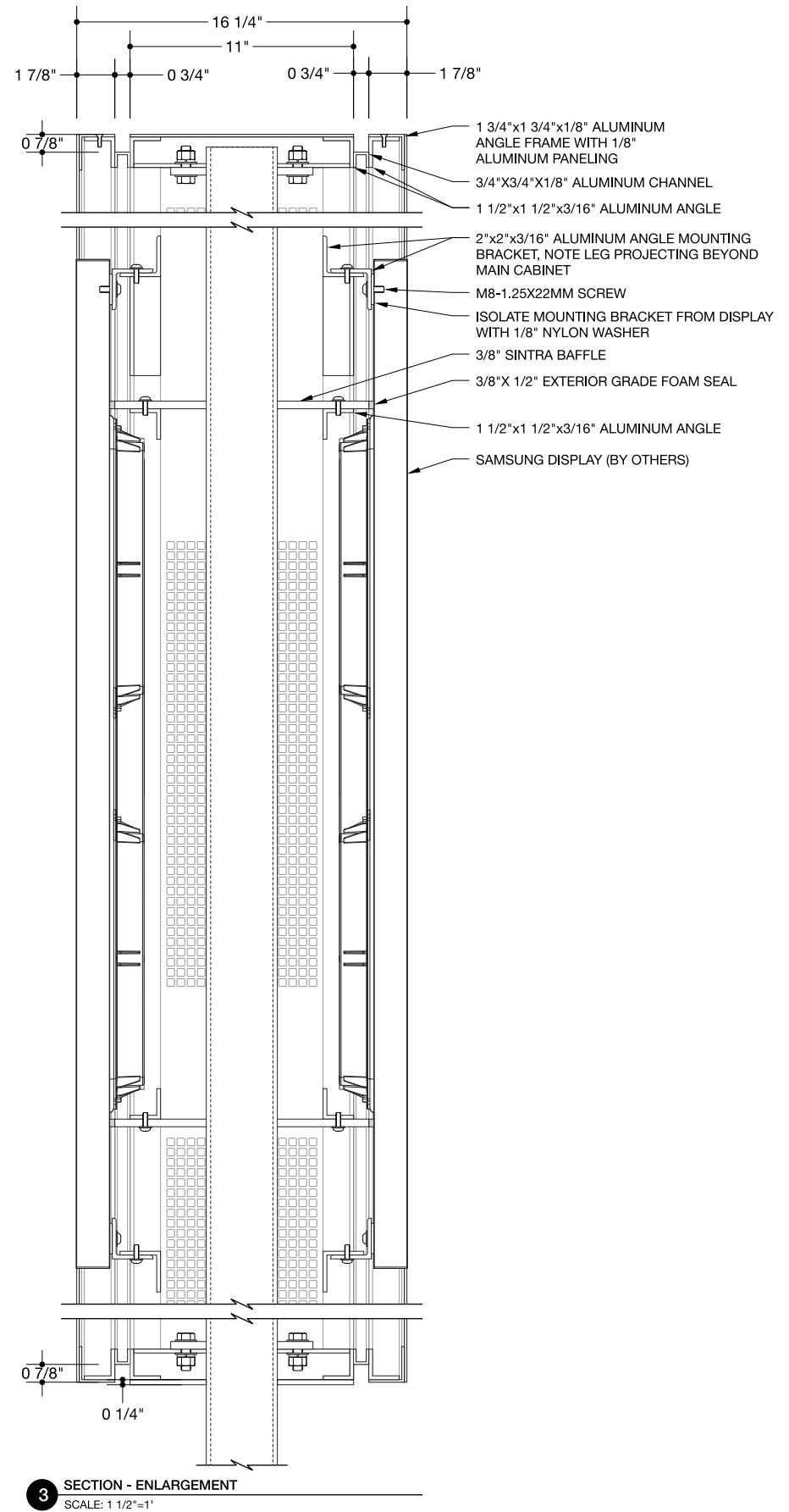
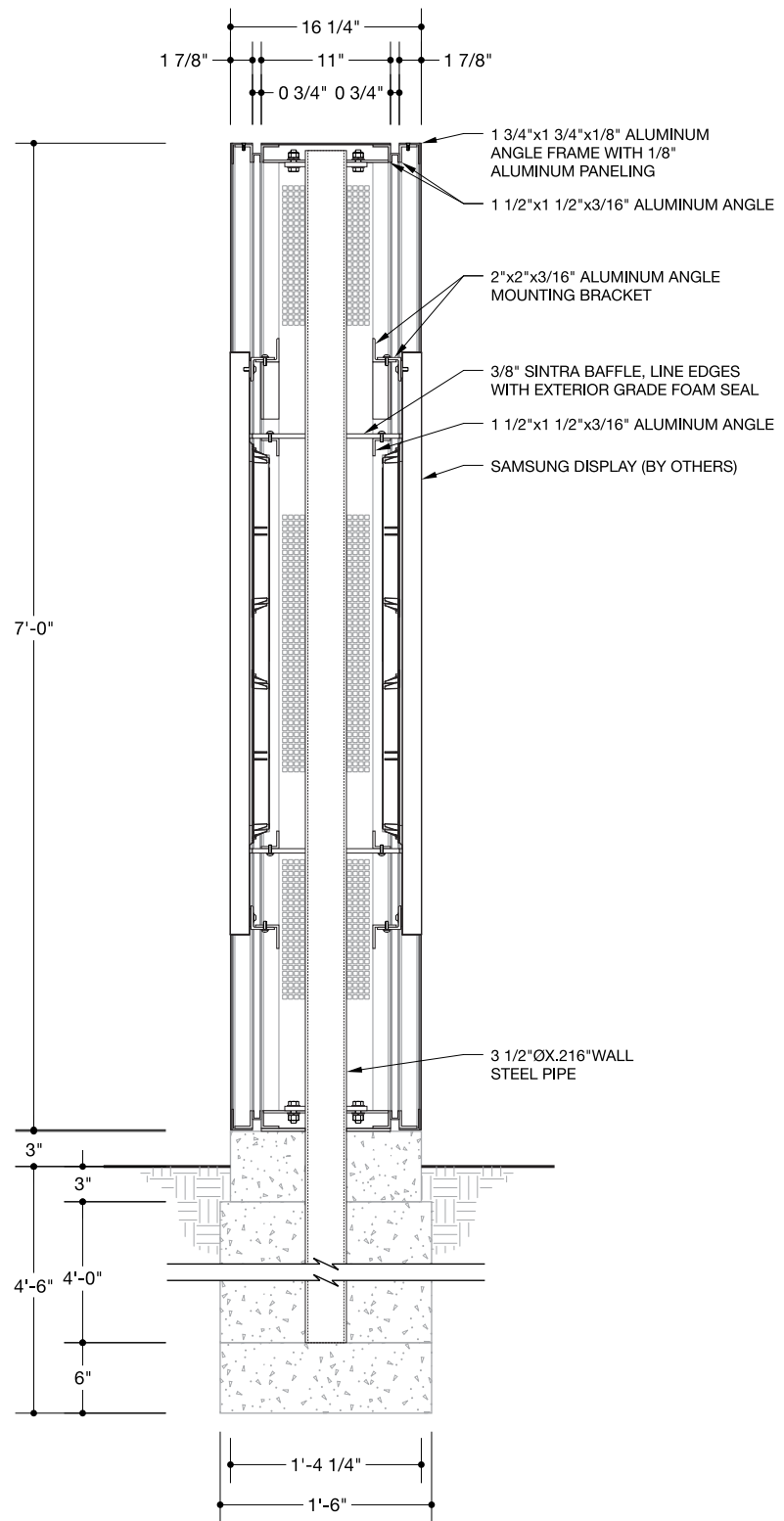
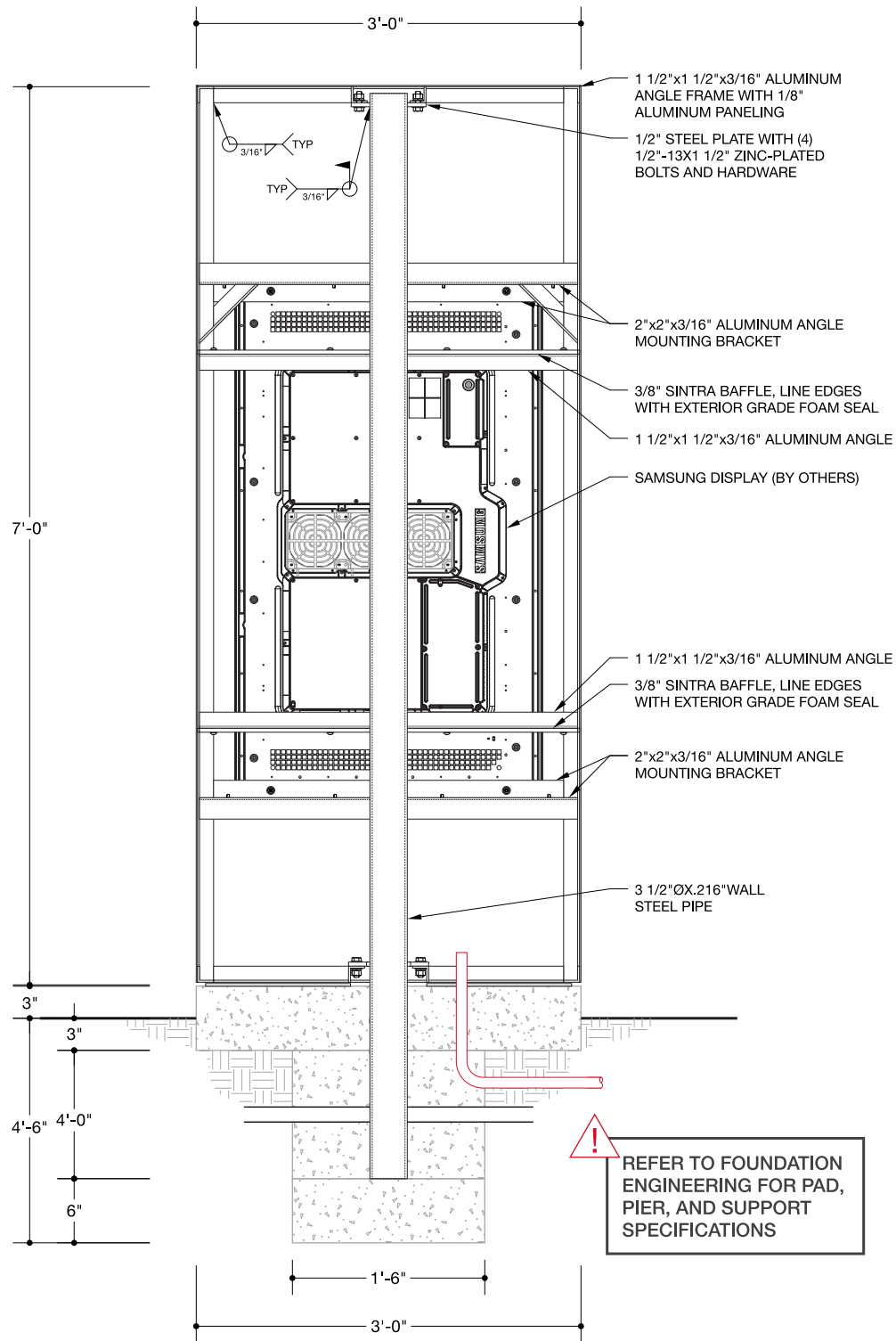
ISSUE

#	DATE	DESCRIPTION
00	08/21/2020	FOR CONSTRUCTION

SHEET DESIGNATION

E-2.1-02.1

RUNNING SHEET NUMBER 22



! DISPLAY AIR INTAKE TO BE ISOLATED FROM DISPLAY EXHAUST WITH 3/8" SINTRA BAFFLES OR EQUIV.

PROJECT INFORMATION

CLIENT
TEXAS A&M UNIVERSITY

PROJECT
MASTER CAMPUS WAYFINDING

PROJECT MGR **DESIGNER**

PROJECT #: 20-0136

SHEET DETAILS

ST 2.1
Available Parking Identity

DATE: 08/05/2020
SCALE: AS NOTED

FINISH AND MATERIAL SCHEDULE

- P1** Powder-coat
TG3870061 GRAY
- V1** Oracal 5700-010
White Reflective

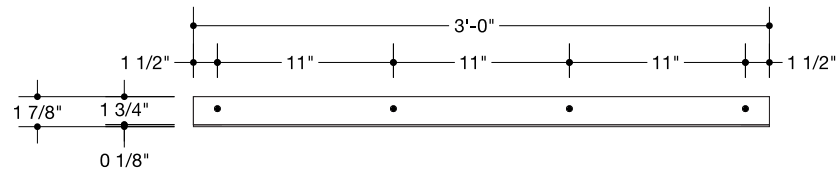
ISSUE

#	DATE	DESCRIPTION
00	08/21/2020	FOR CONSTRUCTION

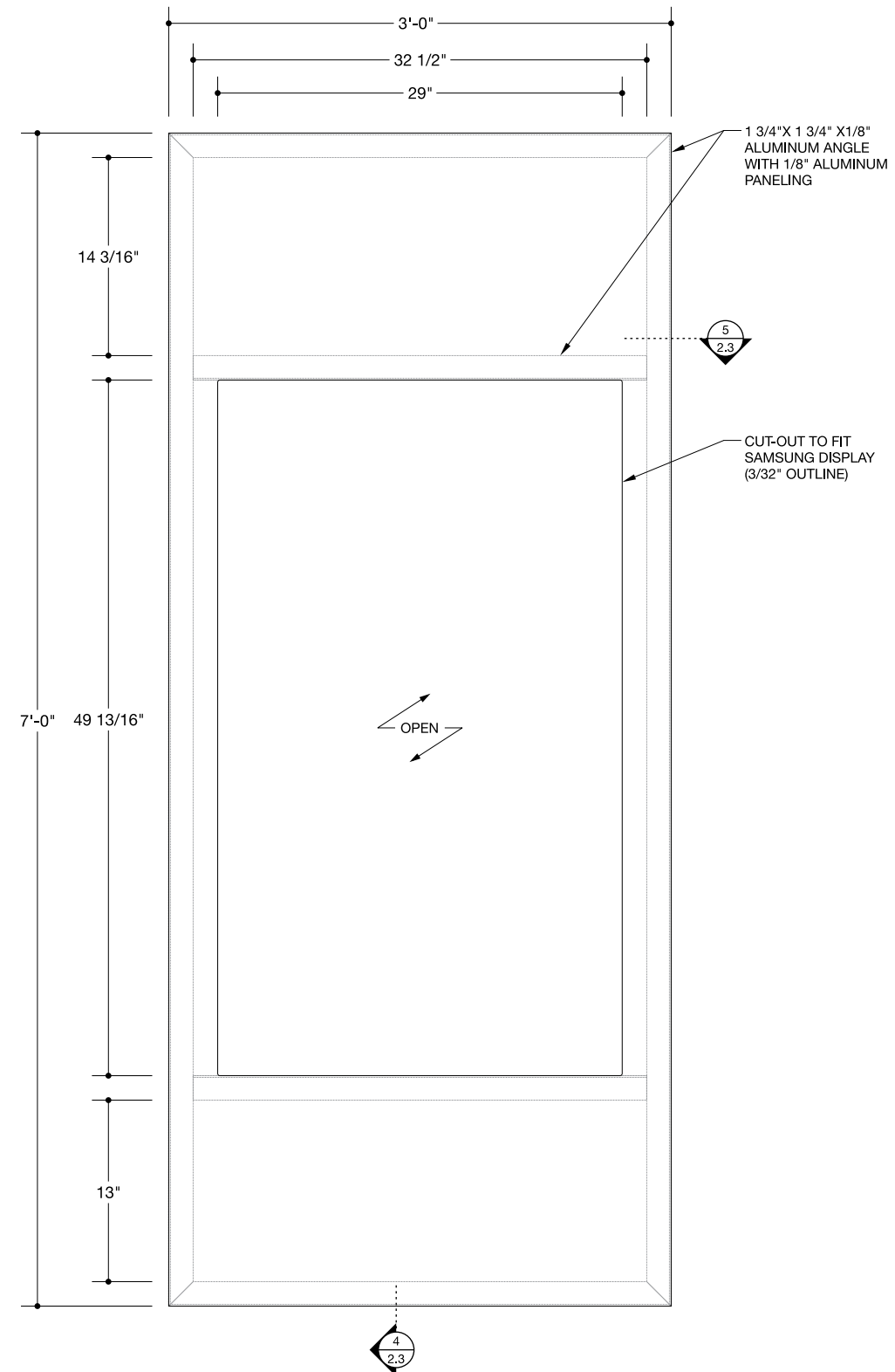
SHEET DESIGNATION

E-2.1-02.3

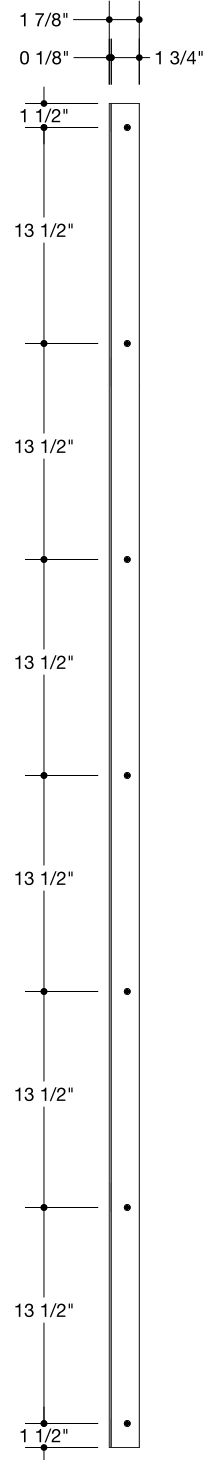
RUNNING SHEET NUMBER 23



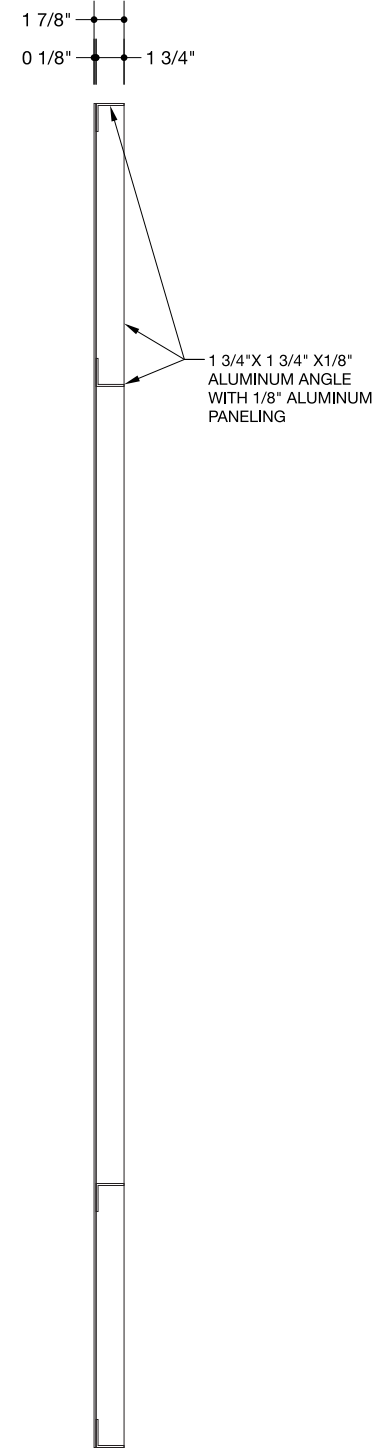
1 PLAN
SCALE: 1"=1'



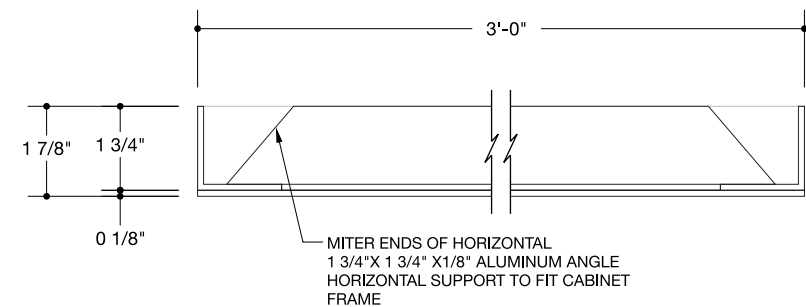
2 ELEVATION
SCALE: 1"=1'



3 PROFILE
SCALE: 1"=1'



4 SECTION
SCALE: 1"=1'



5 SECTION
SCALE: 3"=1'

PROJECT INFORMATION

CLIENT
TEXAS A&M UNIVERSITY

PROJECT
MASTER CAMPUS WAYFINDING

PROJECT MGR **DESIGNER**

PROJECT #: 20-0136

SHEET DETAILS

ST 2.1
Available Parking Identity

DATE: 08/05/2020
SCALE: AS NOTED

FINISH AND MATERIAL SCHEDULE

- P1** Powder-coat
TG3870061 GRAY
- V1** Oracal 5700-010
White Reflective

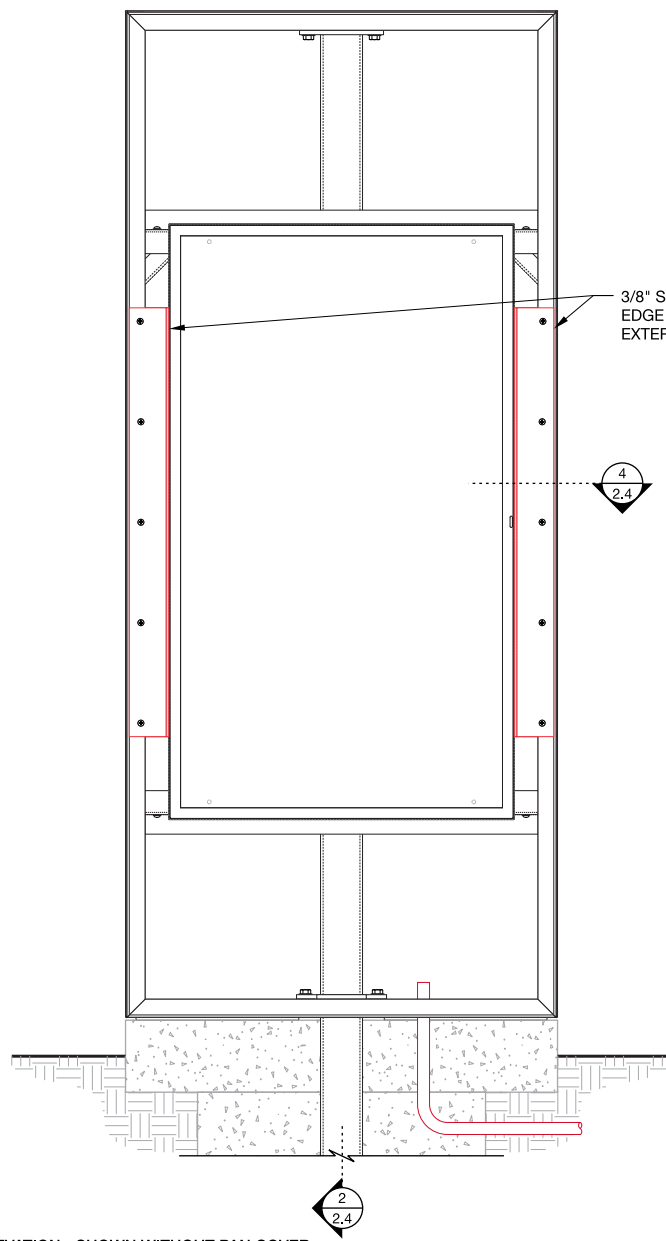
ISSUE

#	DATE	DESCRIPTION
00	08/21/2020	FOR CONSTRUCTION

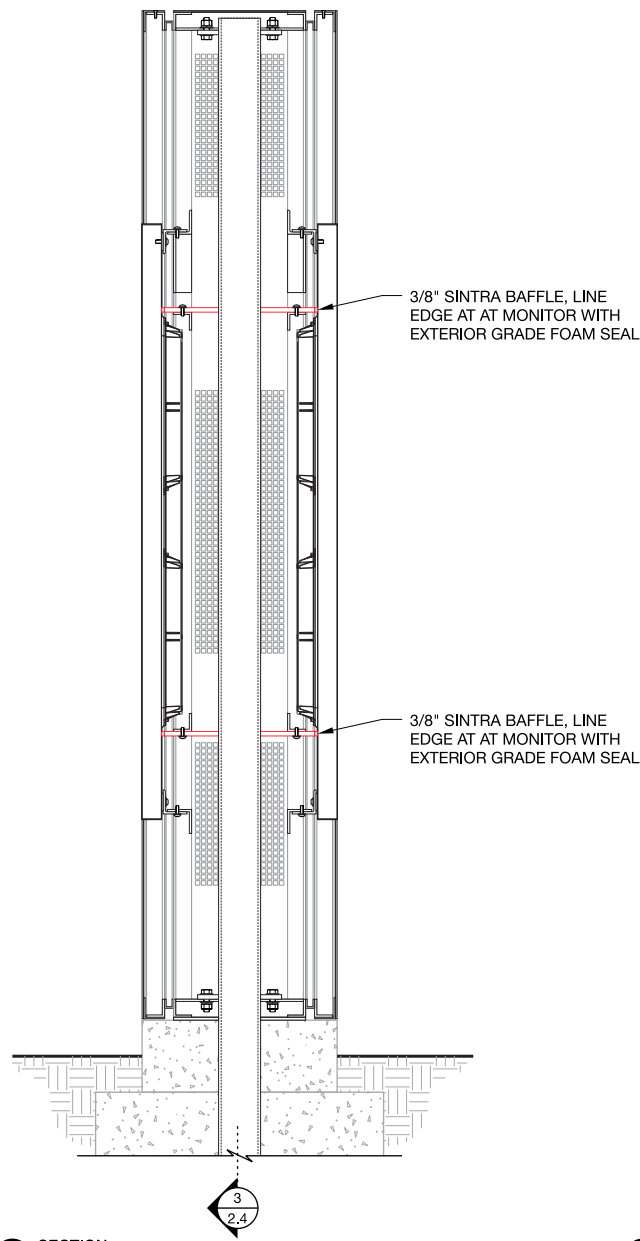
SHEET DESIGNATION

E-2.1-02.4

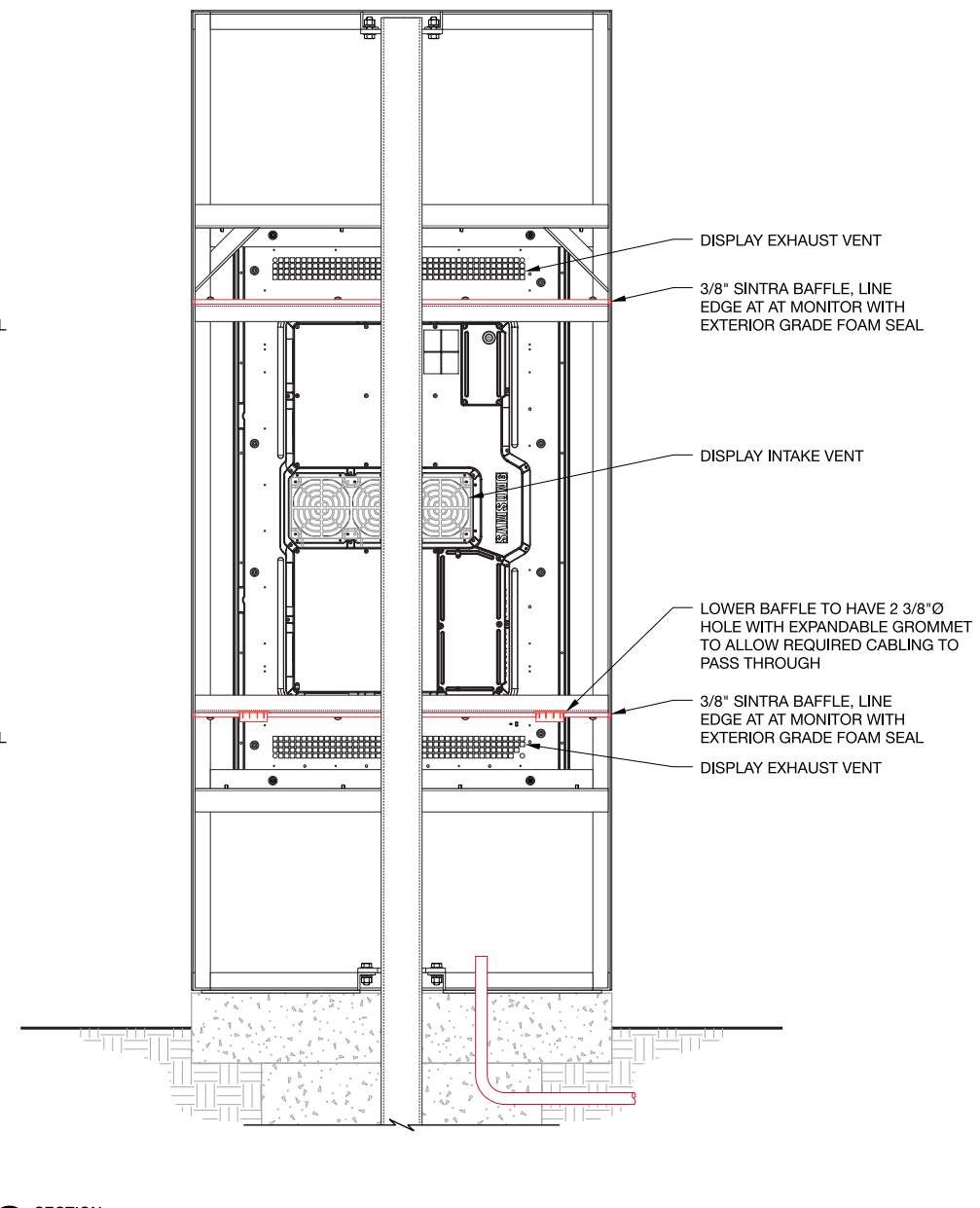
RUNNING SHEET NUMBER 24



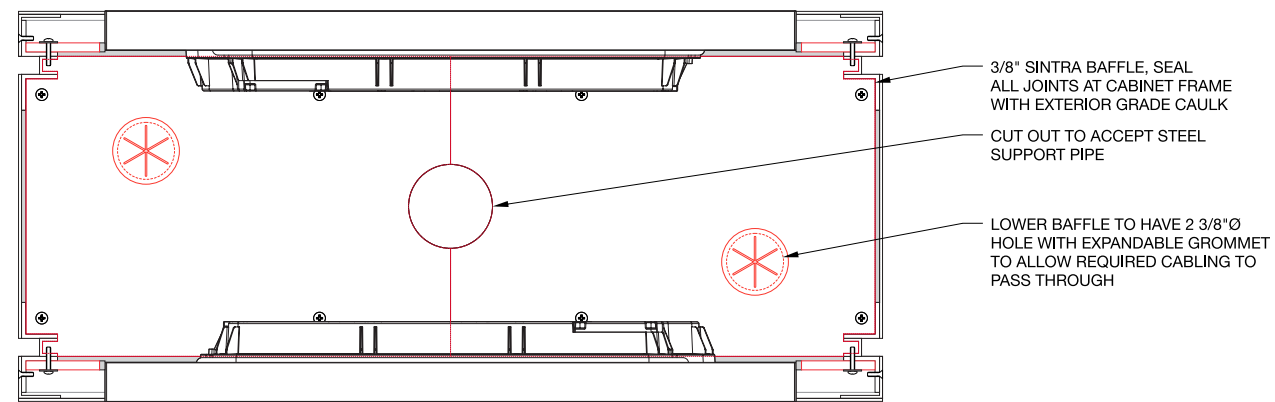
1 ELEVATION - SHOWN WITHOUT PAN COVER
SCALE: 3/4"=1'



2 SECTION
SCALE: 3/4"=1'



3 SECTION
SCALE: 3/4"=1'



4 ELEVATION - SHOWN WITHOUT PAN COVER
SCALE: 1 1/2"=1'

! DISPLAY AIR INTAKE TO BE ISOLATED FROM DISPLAY EXHAUST WITH 3/8" SINTRA BAFFLES OR EQUIV.

PROJECT INFORMATION

CLIENT
TEXAS A&M UNIVERSITY

PROJECT
MASTER CAMPUS WAYFINDING

PROJECT MGR **DESIGNER**

PROJECT #: 20-0136

SHEET DETAILS

ST 2.1
Available Parking Identity

DATE: 08/05/2020
SCALE: AS NOTED

FINISH AND MATERIAL SCHEDULE

P1	Powder-coat TG3870061 GRAY
V1	Oracal 5700-010 White Reflective

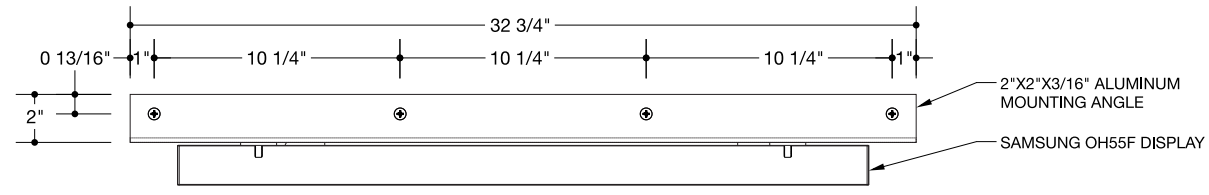
ISSUE

#	DATE	DESCRIPTION
00	08/21/2020	FOR CONSTRUCTION

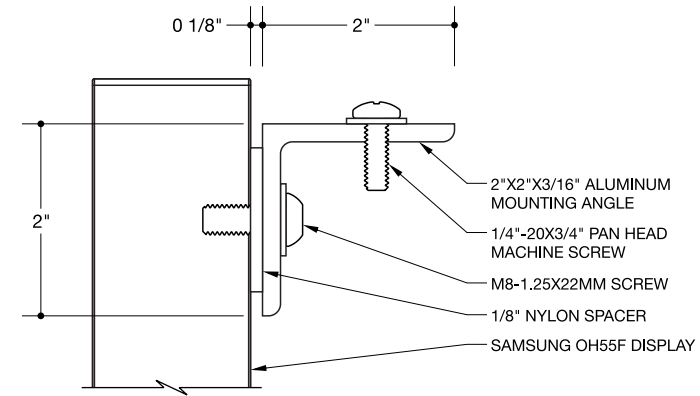
SHEET DESIGNATION

E-2.1-02.5

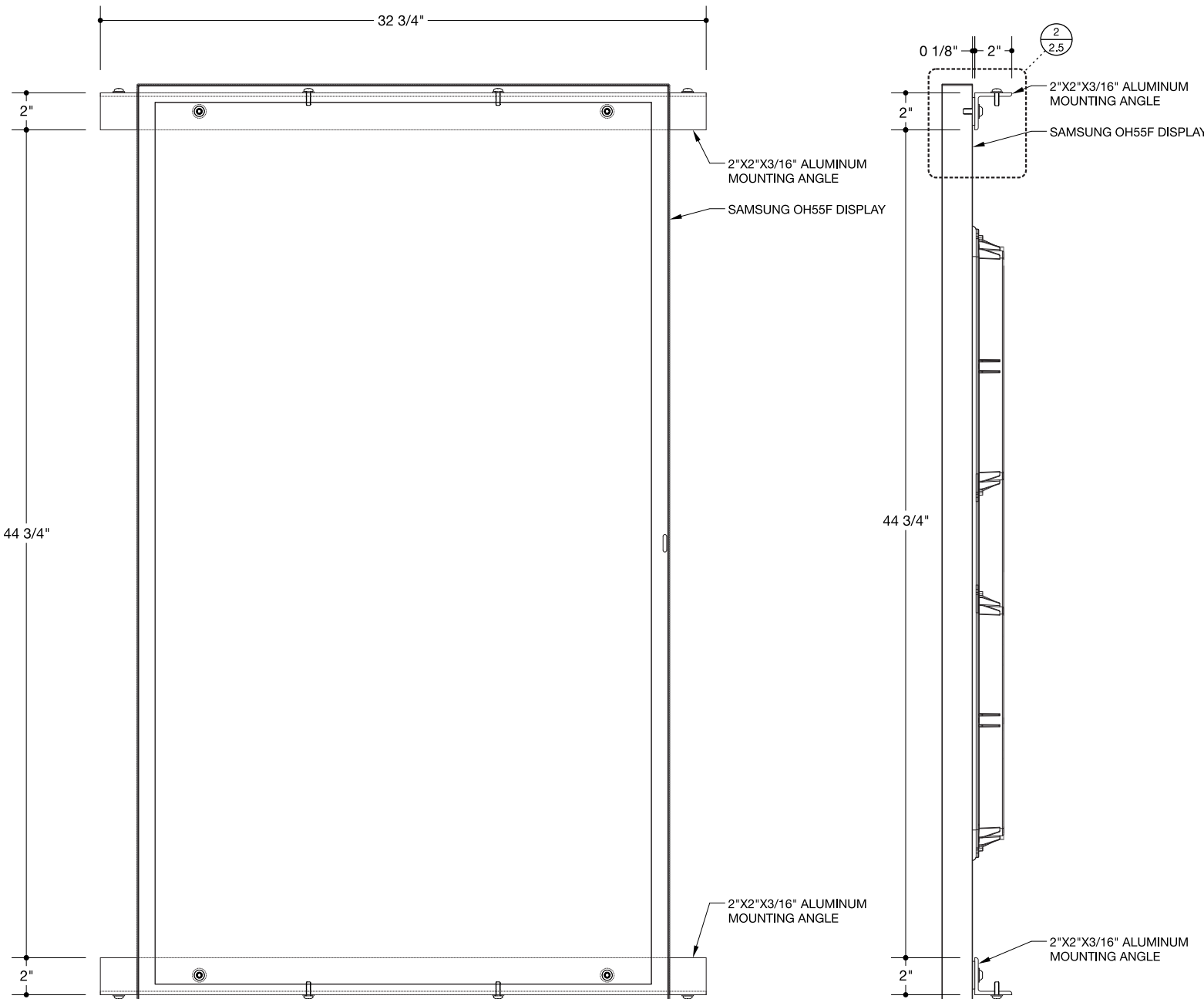
RUNNING SHEET NUMBER 25



1 PLAN - DISPLAY MOUNTING BRACKET
SCALE: 1 1/2"=1'

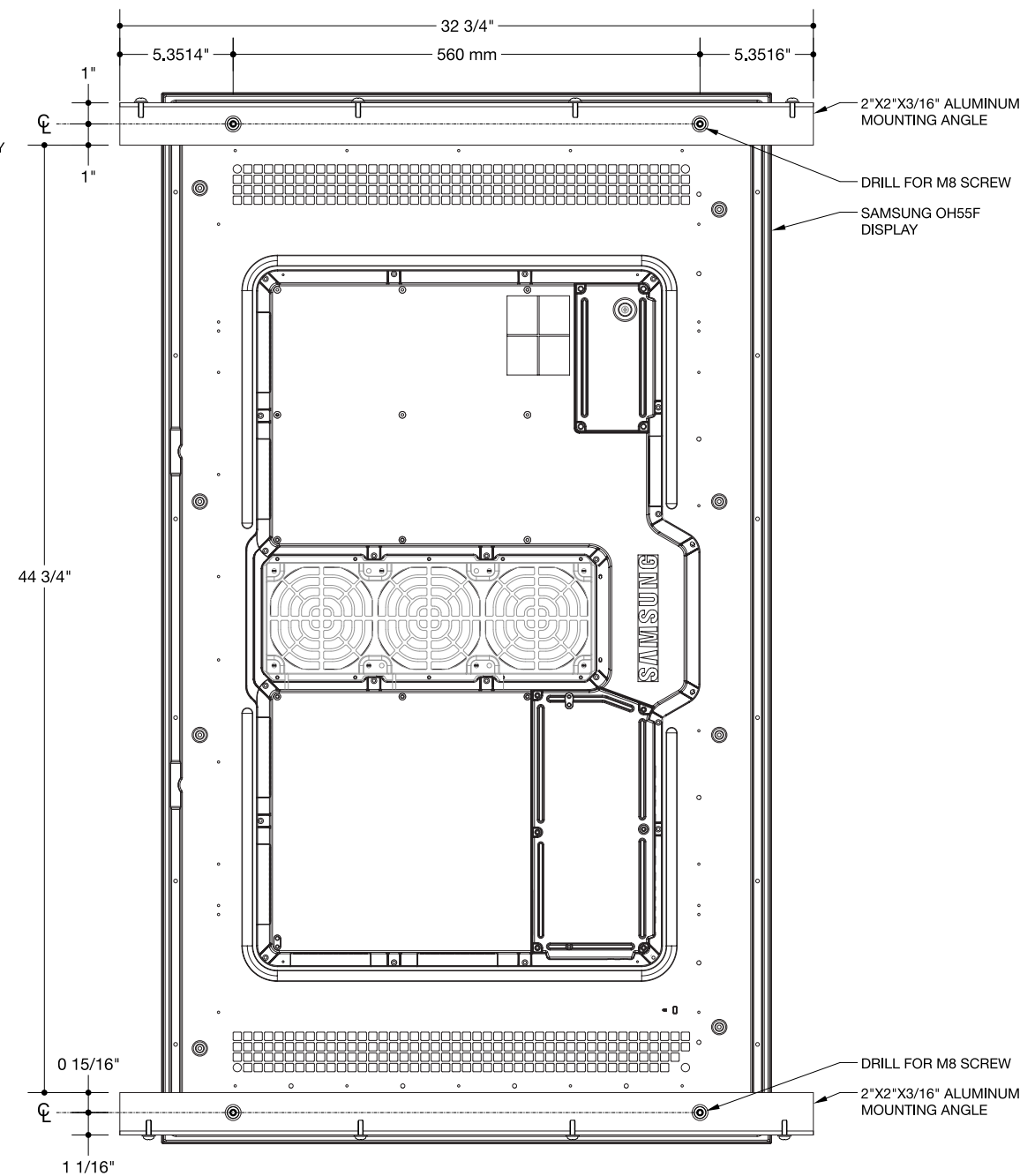


2 DETAIL - DISPLAY MOUNTING BRACKET
SCALE: 6"=1'

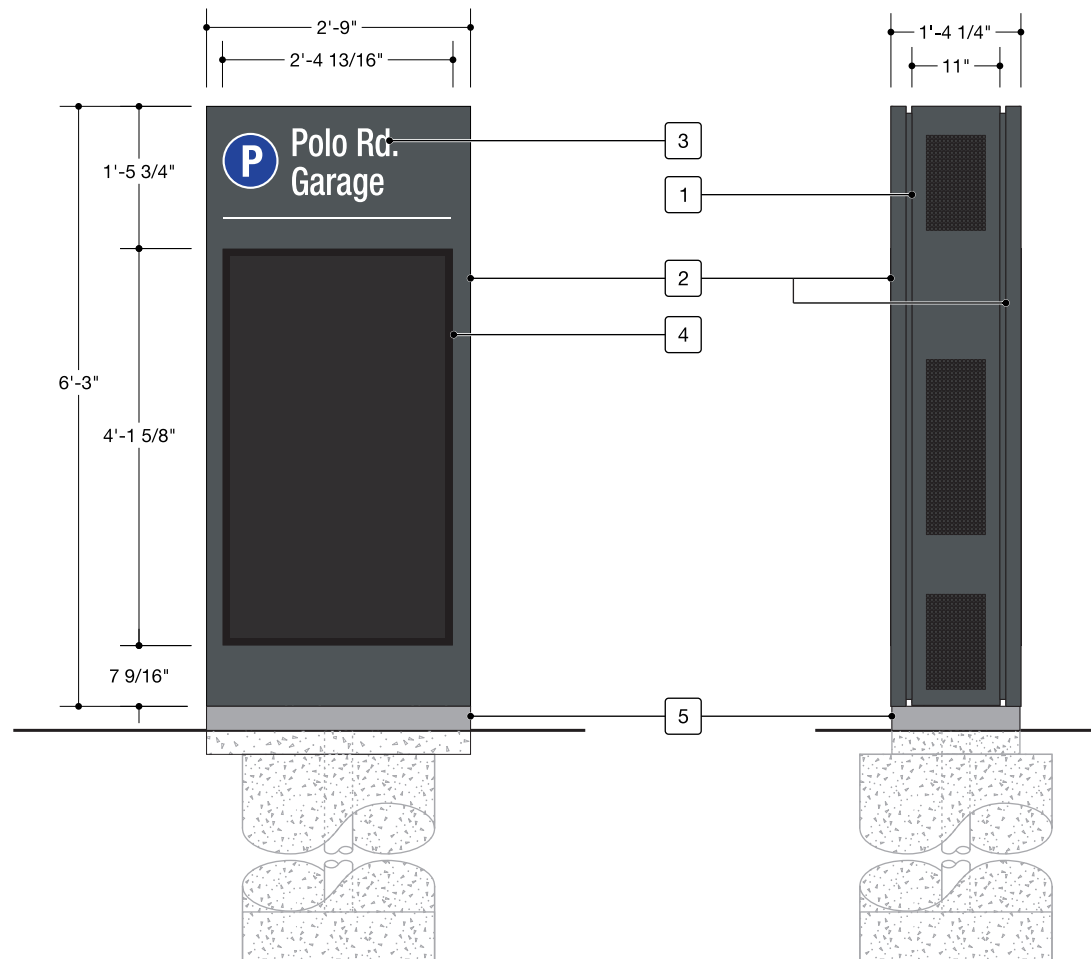


3 ELEVATION - DISPLAY MOUNTING BRACKET
SCALE: 1 1/2"=1'

4 PROFILE - DISPLAY MOUNTING BRACKET
SCALE: 1 1/2"=1'

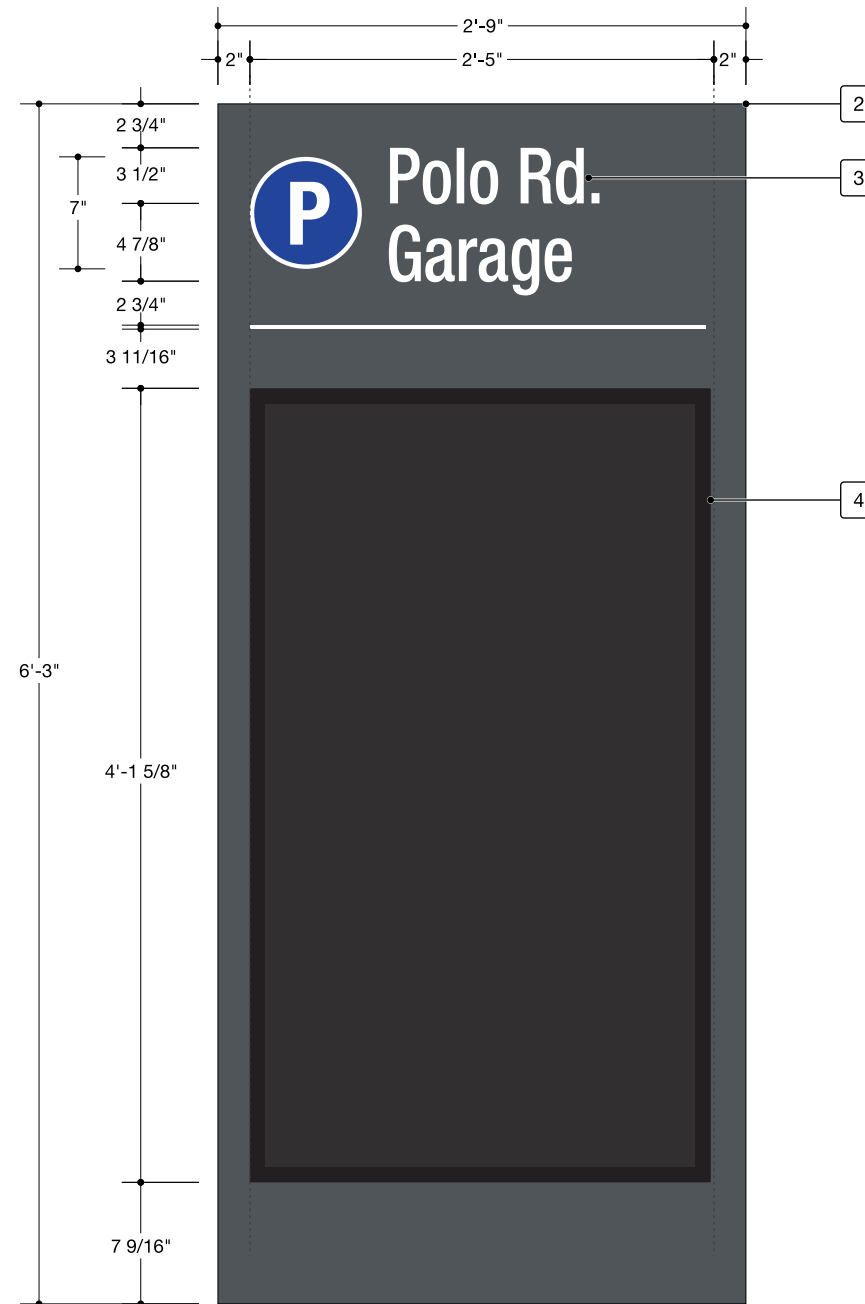


5 ELEVATION FROM BACK - DISPLAY MOUNTING BRACKET
SCALE: 1 1/2"=1'

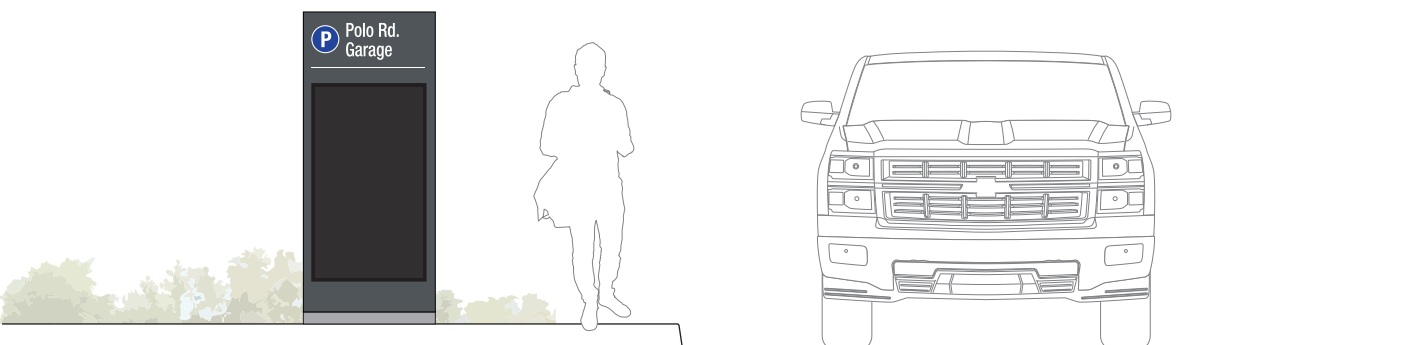


1 ELEVATION - SIDE A
SCALE: 1/2"=1'

2 RIGHT PROFILE
SCALE: 1/2"=1'



3 MESSAGE PANEL DETAILS
SCALE: 1"=1'



4 ELEVATION - SIDE B
SCALE: 1/4"=1'

DETAILS

1. Fabricated aluminum angle cabinet with 1/8" aluminum paneling. Powder-coat all visible surfaces TG3870061 Gray. .
2. Fabricated aluminum angle pan with 1/8" aluminum paneling powder-coat all visible surfaces TG3870061 Gray. . Fabricated pan secures to primary cabinet with counter sunk #10-24 flat head machine screws and is removable.
3. Contour-cut vinyl logo, copy, and symbols, Oracal 5700-010 White Reflective, Oracal 751-049 King Blue Typeface: Helvetica Neue LT Std Medium Condensed
4. Samsung OH55F LED Display, programmable. Display and installation By Others
5. 6" Concrete pad and pier foundation, 2500PSI Concrete

NOTES

1. Messages shown here for representation only. All messaging By Others. Vinyl to be produced By Others.
2. Powder-coat samples must be approved by the Office of the University Architect prior to fabrication of signs. Powder Coat color may require custom blending.



4543 Brittmoore Road
Houston, Texas 77041
281.971.9529
vistexgraphics.com

PROJECT INFORMATION

CLIENT
TEXAS A&M UNIVERSITY

PROJECT
MASTER CAMPUS WAYFINDING

PROJECT MGR **DESIGNER**

PROJECT #: 20-0136

SHEET DETAILS

ST 2.2
Parking Garage Identification

DATE: 08/05/2020
SCALE: AS NOTED

FINISH AND MATERIAL SCHEDULE

P1	Powder-coat TG3870061 GRAY
V1	Oracal 5700-010 White Reflective
V3	Oracal 751-049 King Blue

ISSUE

#	DATE	DESCRIPTION
00	08/21/2020	FOR CONSTRUCTION

SHEET DESIGNATION

E-2.2-01.0

RUNNING SHEET NUMBER 26

PROJECT INFORMATION

CLIENT
TEXAS A&M UNIVERSITY

PROJECT
MASTER CAMPUS WAYFINDING

PROJECT MGR **DESIGNER**

PROJECT #: 20-0136

SHEET DETAILS

ST 2.2
Parking Garage Identification

DATE: 08/05/2020
SCALE: AS NOTED

FINISH AND MATERIAL SCHEDULE

- P1** Powder-coat
TG3870061 GRAY
- V1** Oracal 5700-010
White Reflective

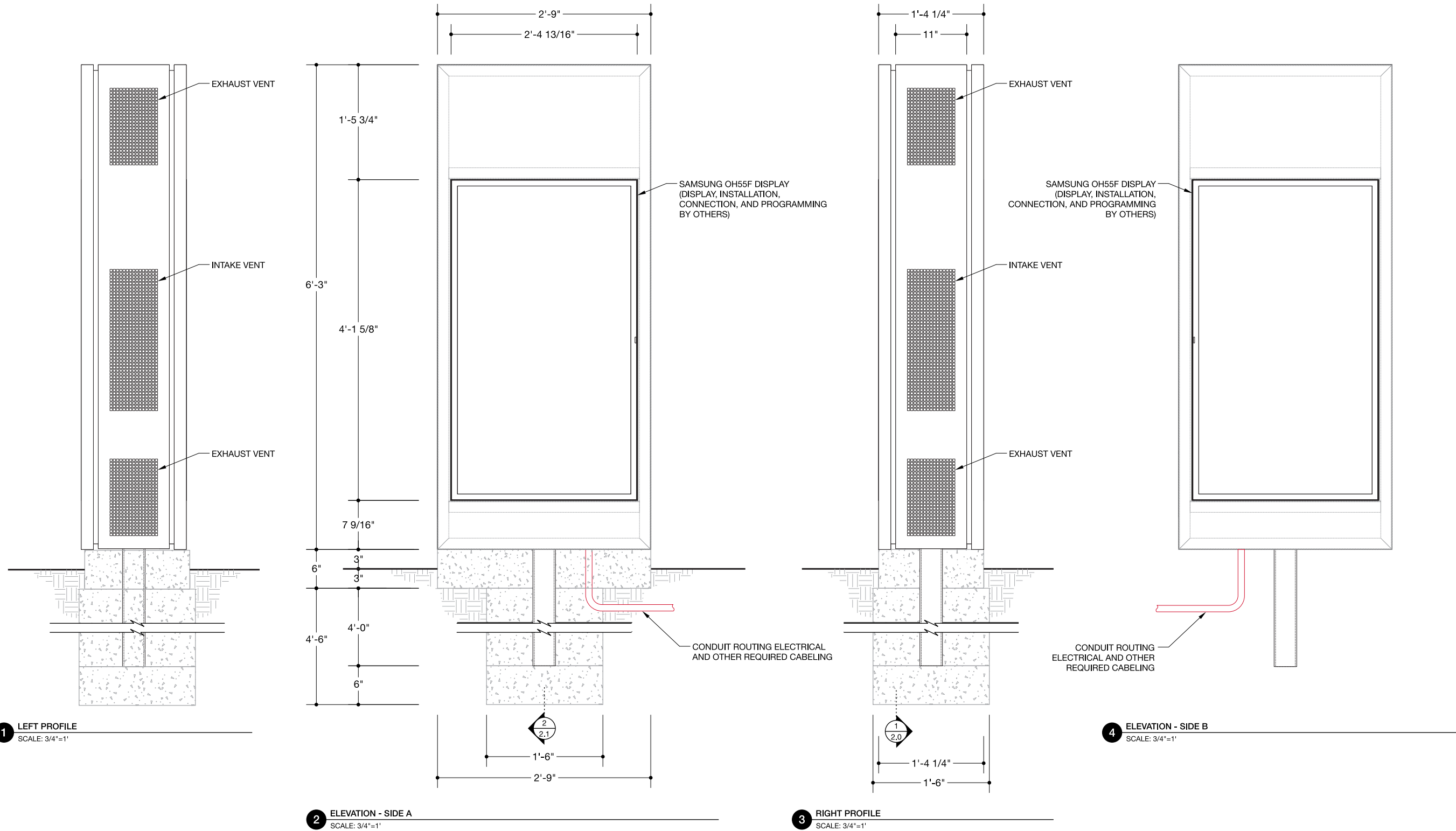
ISSUE

#	DATE	DESCRIPTION
00	08/21/2020	FOR CONSTRUCTION

SHEET DESIGNATION

E-2.2-02.0

RUNNING SHEET NUMBER 27



PROJECT INFORMATION

CLIENT
TEXAS A&M UNIVERSITY

PROJECT
MASTER CAMPUS WAYFINDING

PROJECT MGR **DESIGNER**

PROJECT #: 20-0136

SHEET DETAILS

ST 2.2
Parking Garage Identification

DATE: 08/05/2020
SCALE: AS NOTED

FINISH AND MATERIAL SCHEDULE

P1	Powder-coat TG3870061 GRAY
V1	Oracal 5700-010 White Reflective
V3	Oracal 751-049 King Blue

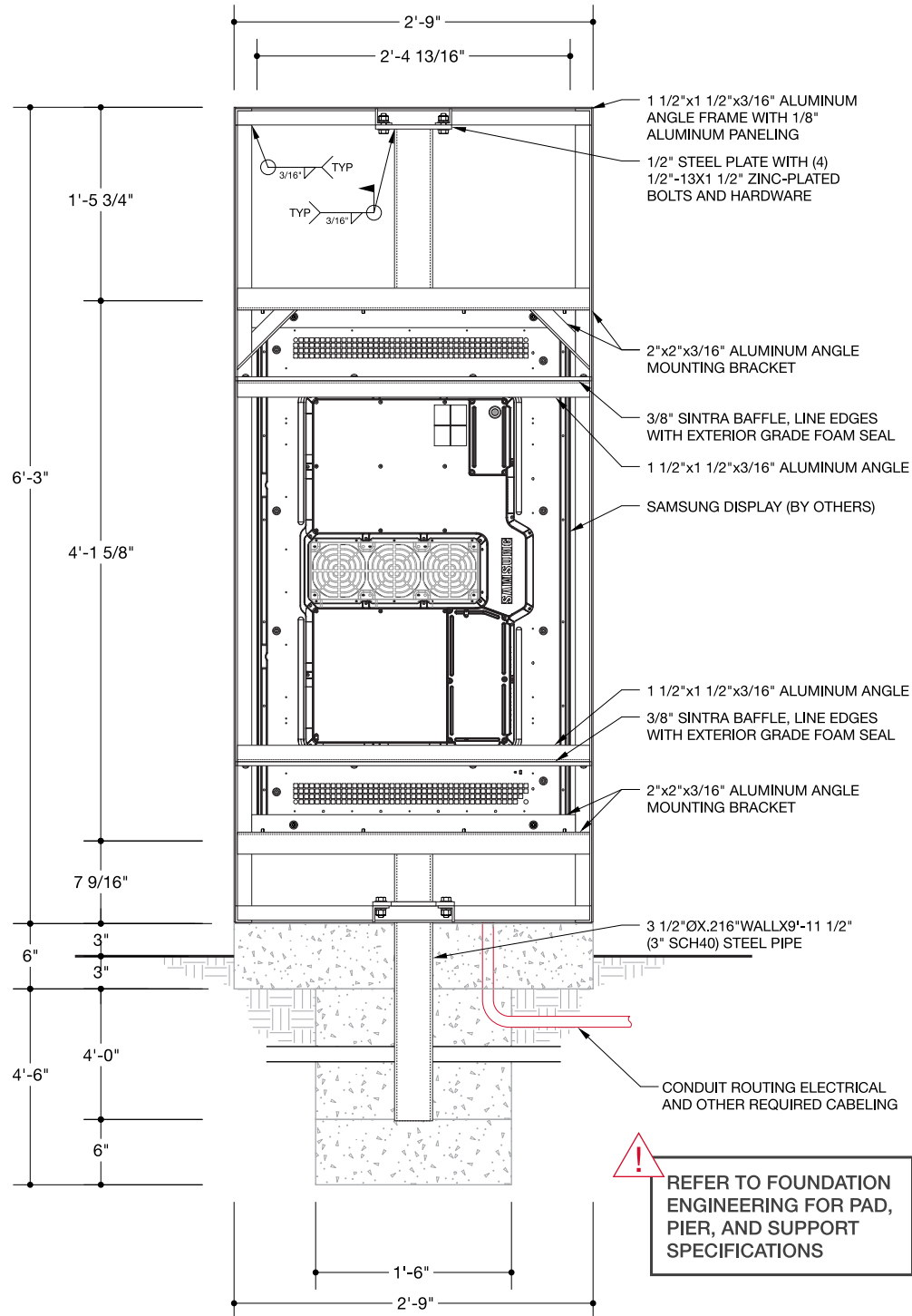
ISSUE

#	DATE	DESCRIPTION
00	08/21/2020	FOR CONSTRUCTION

SHEET DESIGNATION

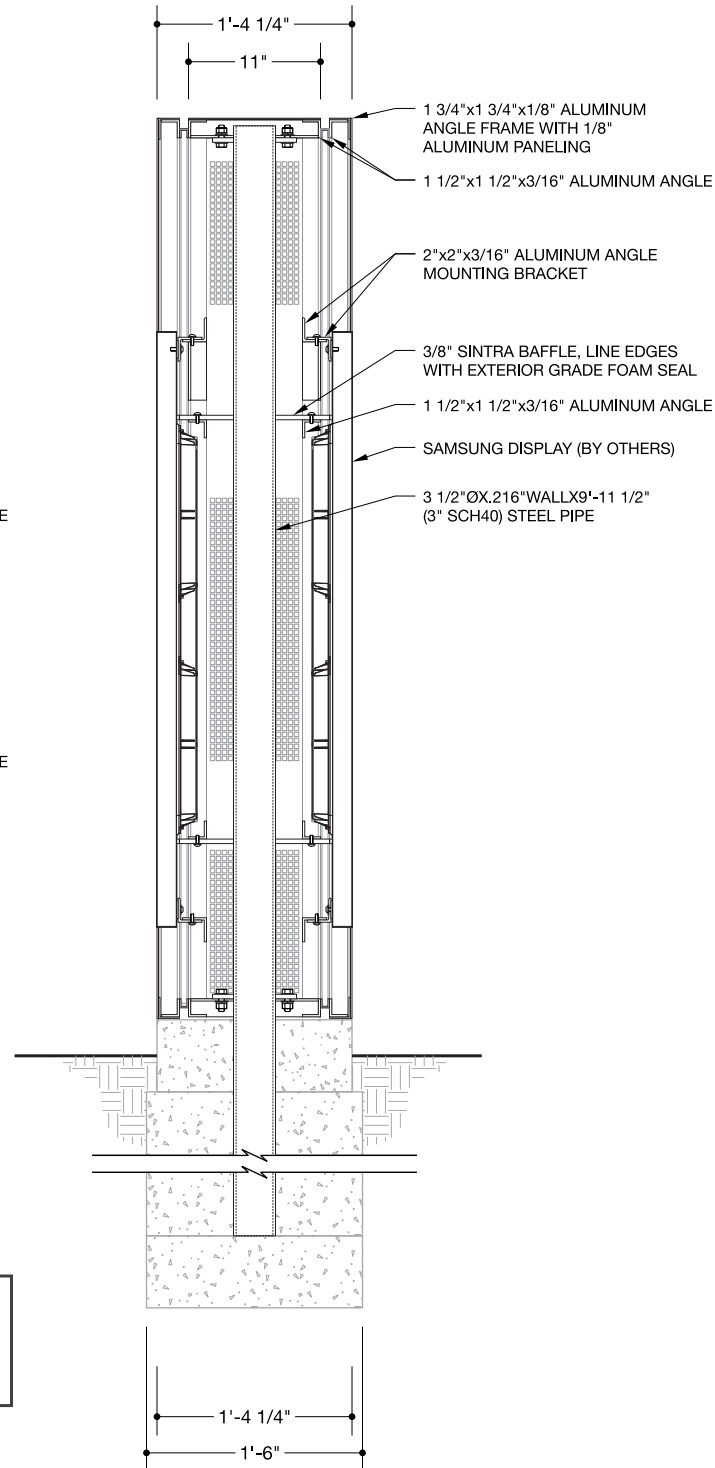
E-2.2-02.1

RUNNING SHEET NUMBER 28

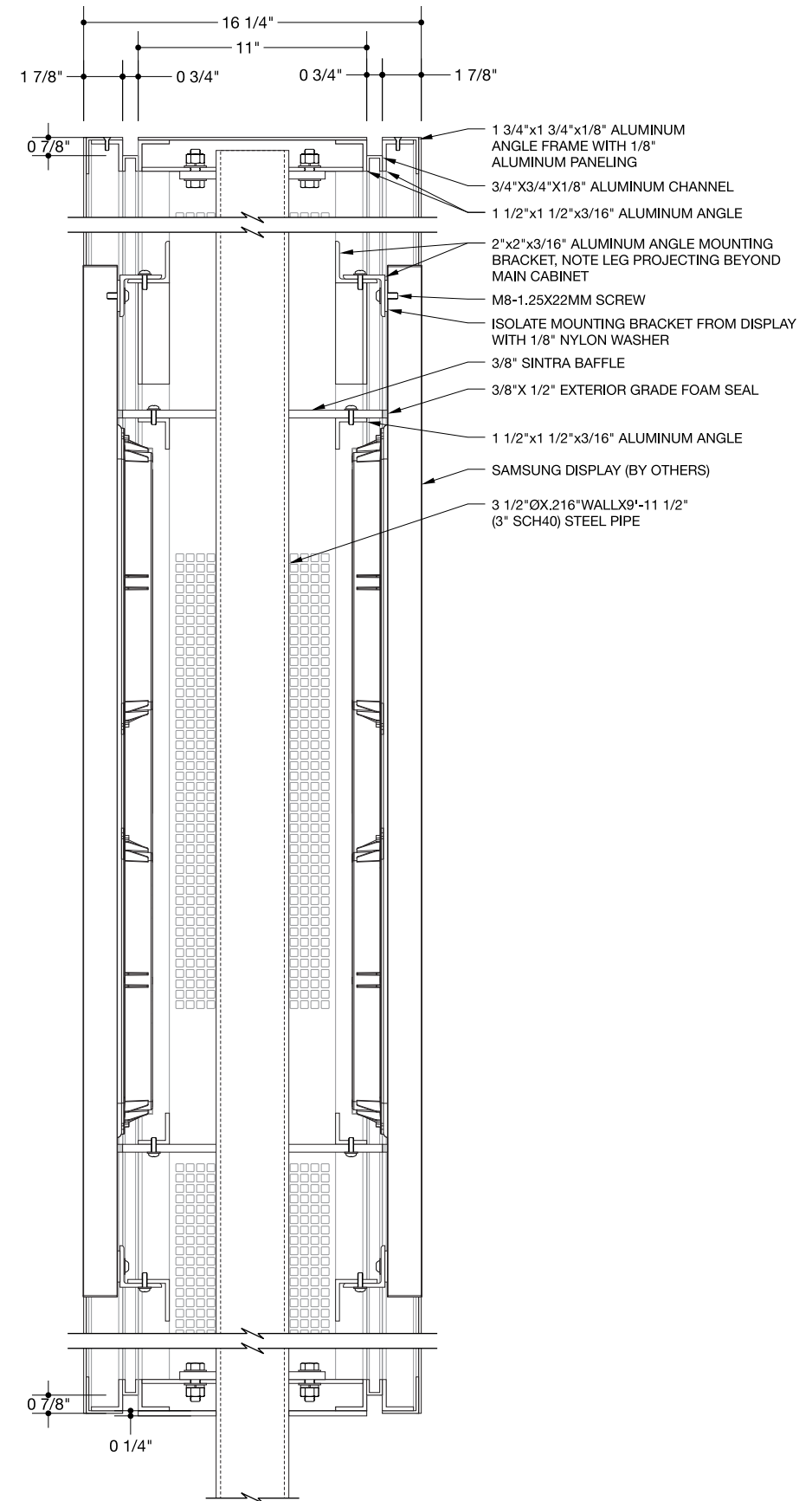


1 SECTION
SCALE: 3/4"=1'

! REFER TO FOUNDATION ENGINEERING FOR PAD, PIER, AND SUPPORT SPECIFICATIONS



2 SECTION
SCALE: 3/4"=1'



3 SECTION - ENLARGEMENT
SCALE: 1 1/2"=1'

! DISPLAY AIR INTAKE TO BE ISOLATED FROM DISPLAY EXHAUST WITH 3/8" SINTRA BAFFLES OR EQUIV.

PROJECT INFORMATION

CLIENT
TEXAS A&M UNIVERSITY

PROJECT
MASTER CAMPUS WAYFINDING

PROJECT MGR **DESIGNER**

PROJECT #: 20-0136

SHEET DETAILS

ST 2.2
Parking Garage Identification

DATE: 08/05/2020
SCALE: AS NOTED

FINISH AND MATERIAL SCHEDULE

P1	Powder-coat TG3870061 GRAY
V1	Oracal 5700-010 White Reflective
V3	Oracal 751-049 King Blue

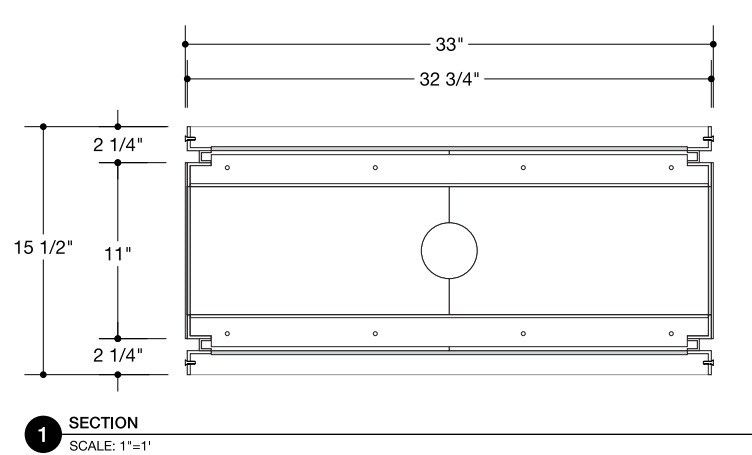
ISSUE

#	DATE	DESCRIPTION
00	08/21/2020	FOR CONSTRUCTION

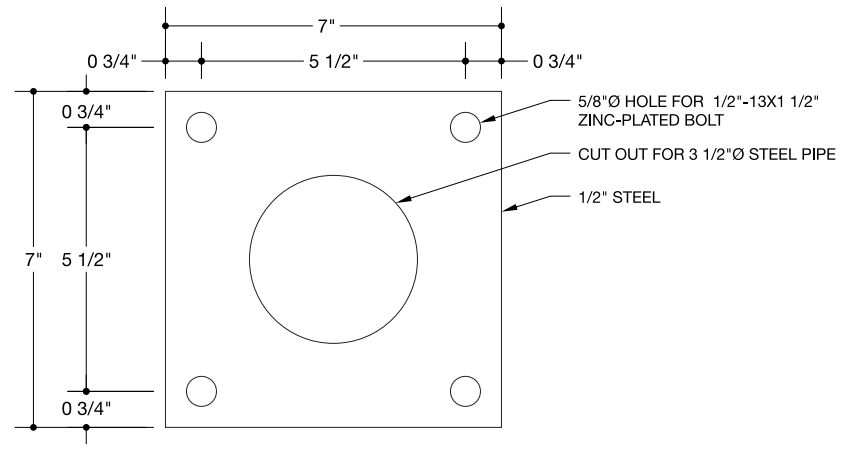
SHEET DESIGNATION

E-2.2-02.2

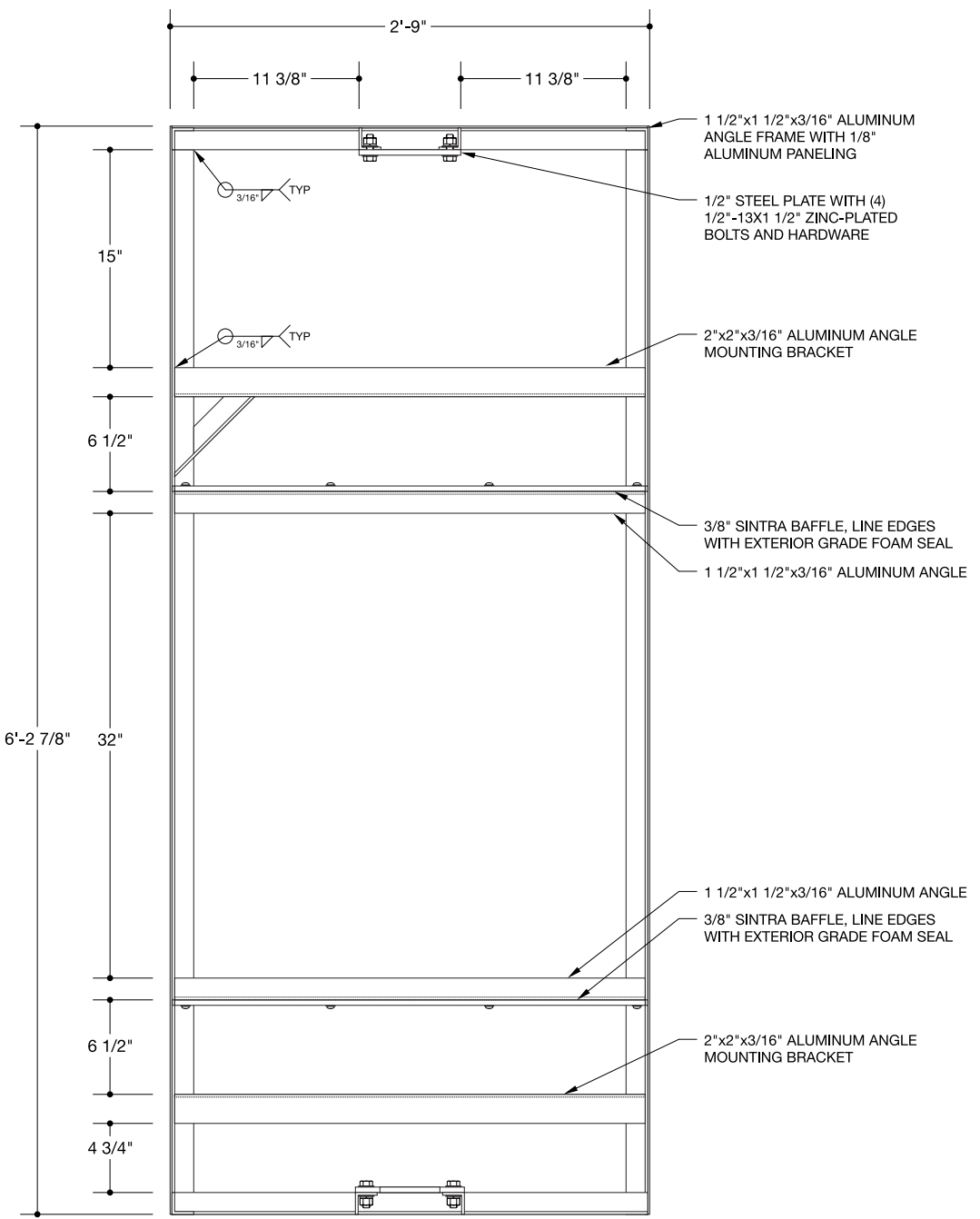
RUNNING SHEET NUMBER 29



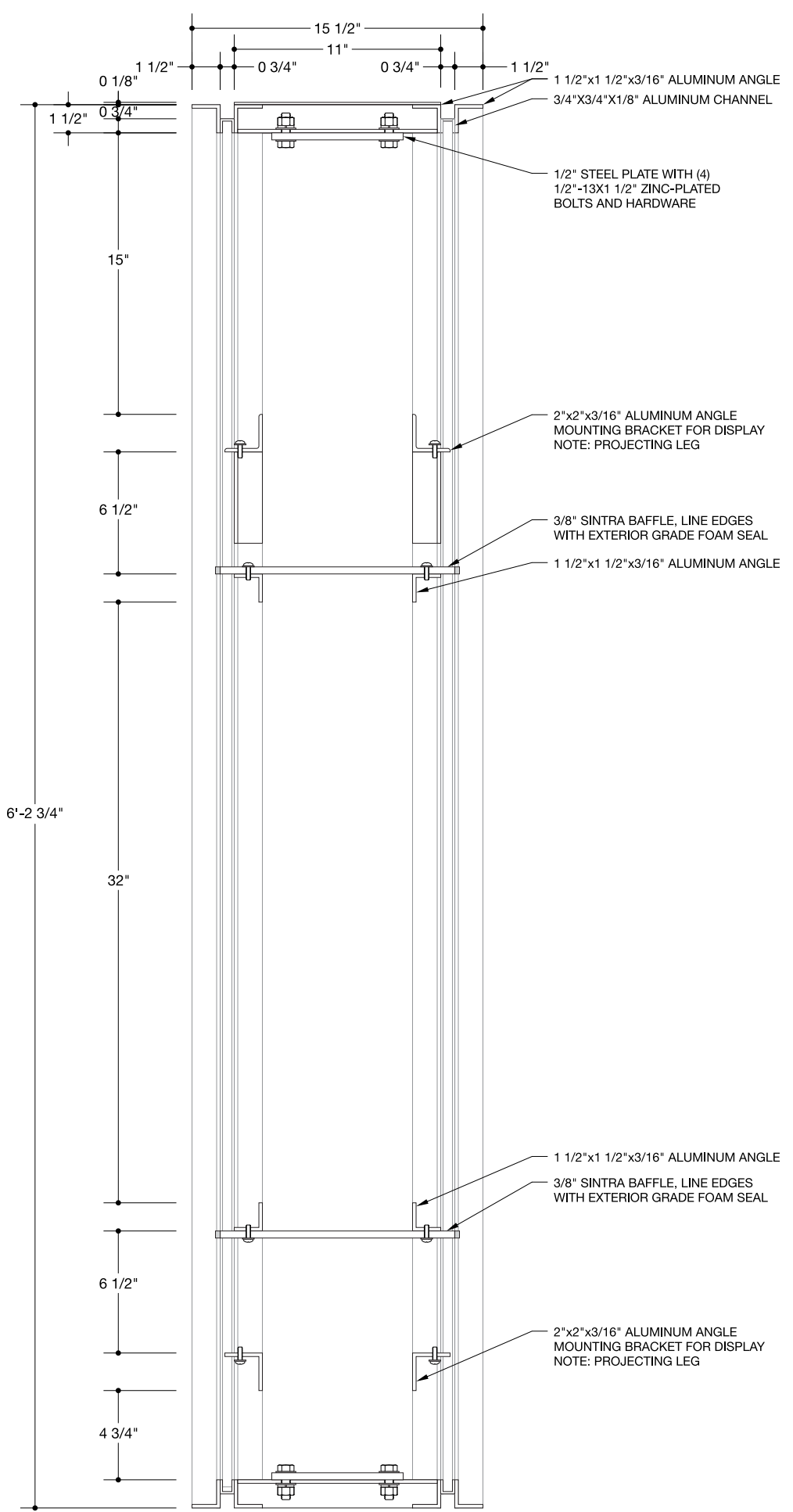
1 SECTION
SCALE: 1"=1'



2 SADDLE PLATE
SCALE: 3"=1'



3 SECTION
SCALE: 1"=1'



4 SECTION - ENLARGEMENT
SCALE: 1 1/2"=1'

PROJECT INFORMATION

CLIENT
TEXAS A&M UNIVERSITY
PROJECT
MASTER CAMPUS WAYFINDING

PROJECT MGR **DESIGNER**

PROJECT #: 20-0136

SHEET DETAILS

ST 2.2
Parking Garage Identification

DATE: 08/05/2020
SCALE: AS NOTED

FINISH AND MATERIAL SCHEDULE

- P1** Powder-coat
TG3870061 GRAY
- V1** Oracal 5700-010
White Reflective
- V3** Oracal 751-049
King Blue

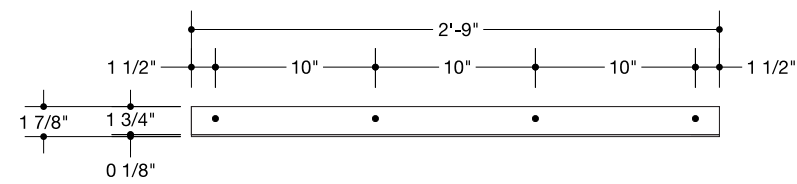
ISSUE

#	DATE	DESCRIPTION
00	08/21/2020	FOR CONSTRUCTION

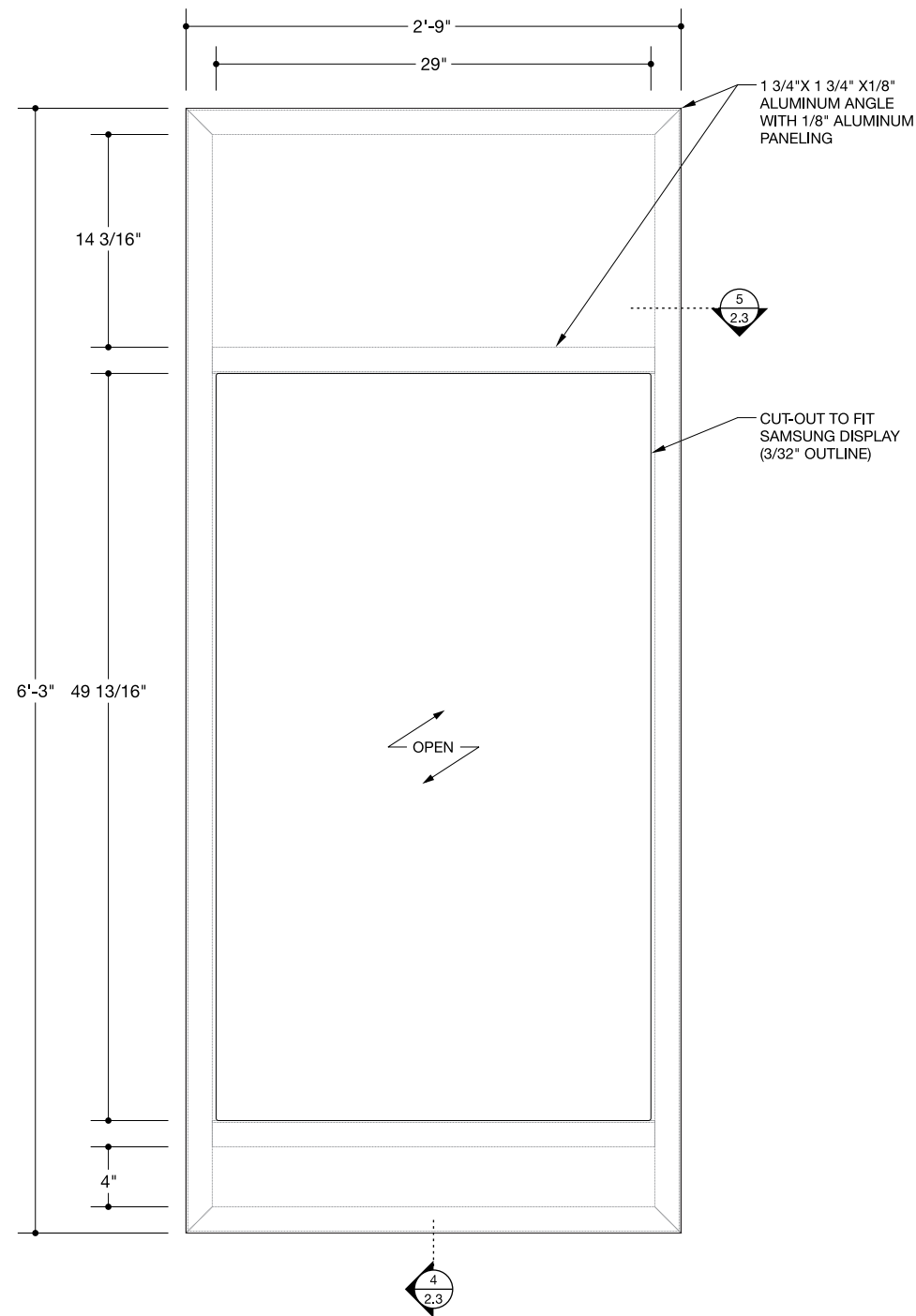
SHEET DESIGNATION

E-2.2-02.3

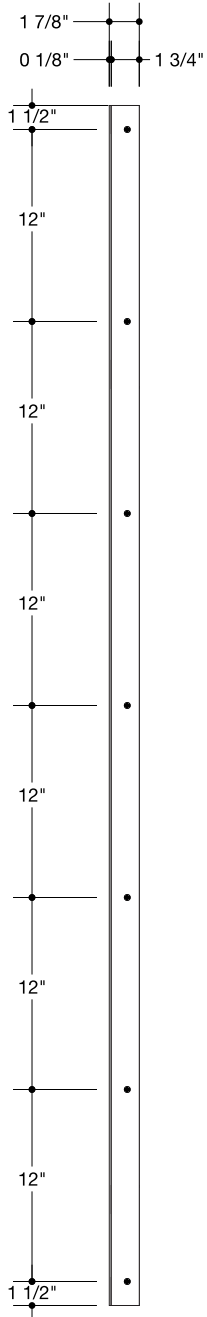
RUNNING SHEET NUMBER 30



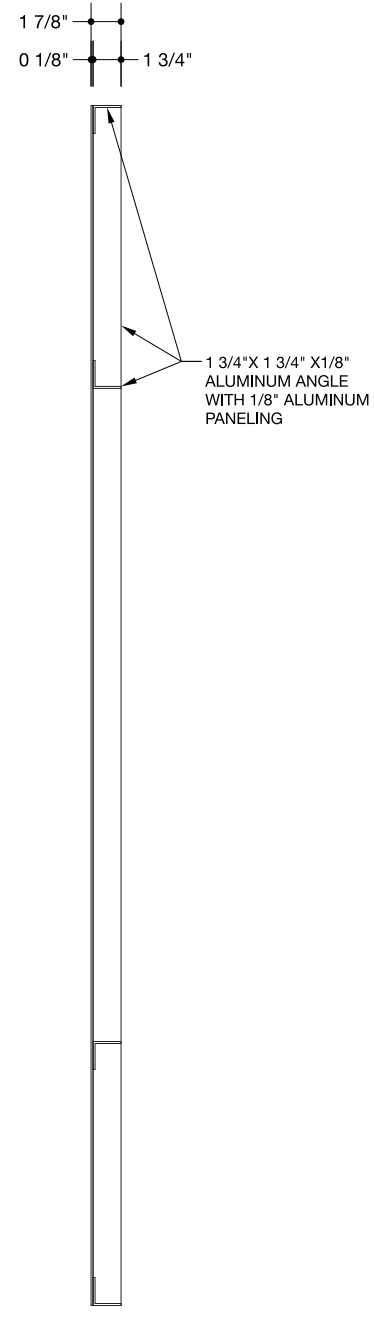
1 PLAN
SCALE: 1"=1'



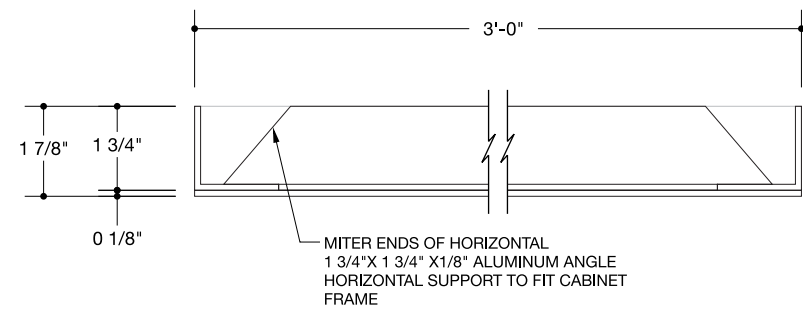
2 ELEVATION
SCALE: 1"=1'



3 PROFILE
SCALE: 1"=1'



4 SECTION
SCALE: 1"=1'



5 SECTION
SCALE: 3"=1'

PROJECT INFORMATION

CLIENT
TEXAS A&M UNIVERSITY

PROJECT
MASTER CAMPUS WAYFINDING

PROJECT MGR **DESIGNER**

PROJECT #: 20-0136

SHEET DETAILS

ST 2.2
Parking Garage Identification

DATE: 08/05/2020
SCALE: AS NOTED

FINISH AND MATERIAL SCHEDULE

- P1** Powder-coat
TG3870061 GRAY
- V1** Oracal 5700-010
White Reflective
- V3** Oracal 751-049
King Blue

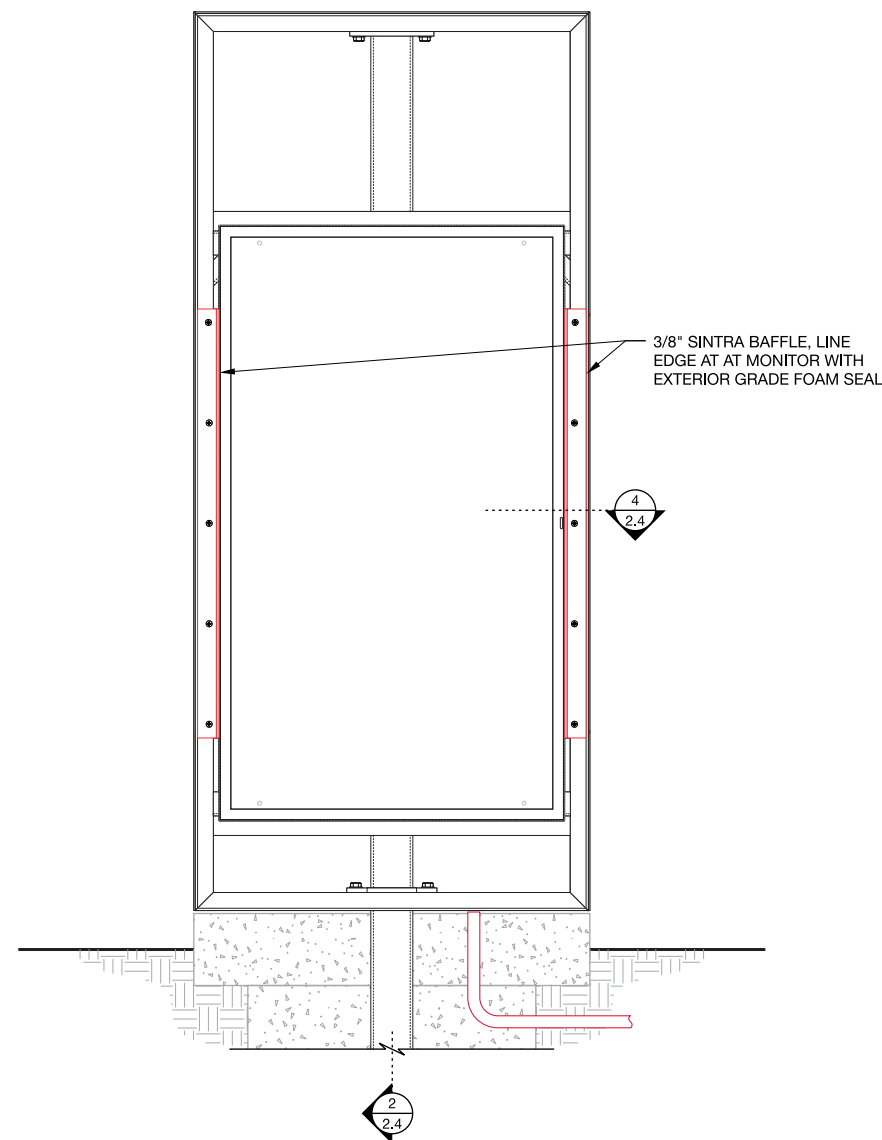
ISSUE

#	DATE	DESCRIPTION
00	08/21/2020	FOR CONSTRUCTION

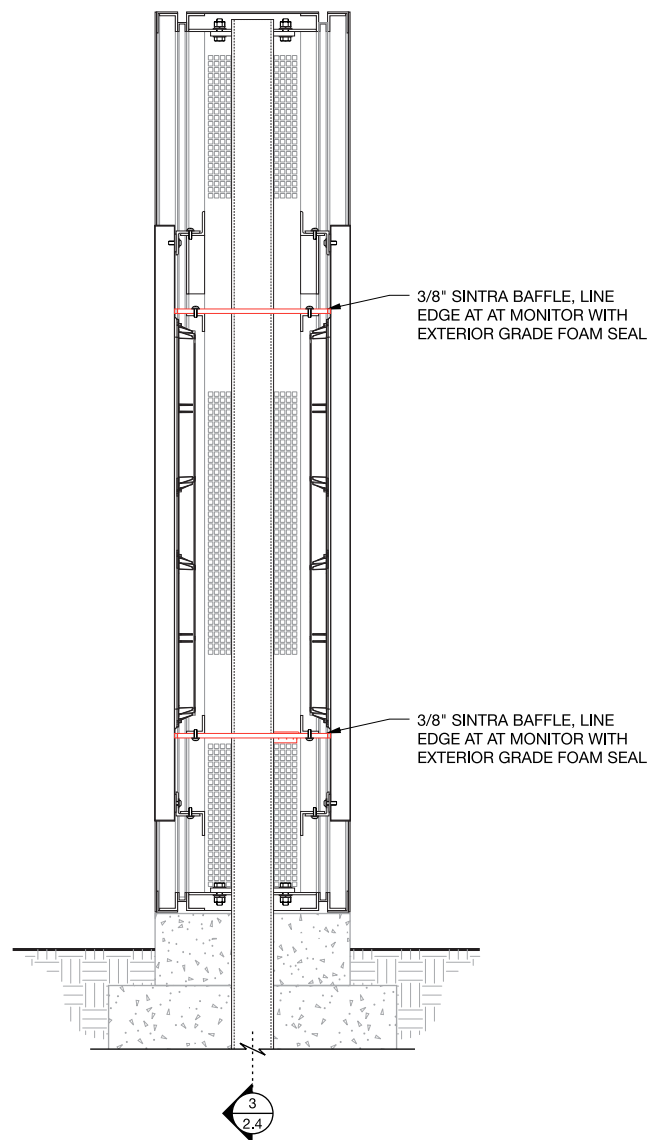
SHEET DESIGNATION

E-2.2-02.4

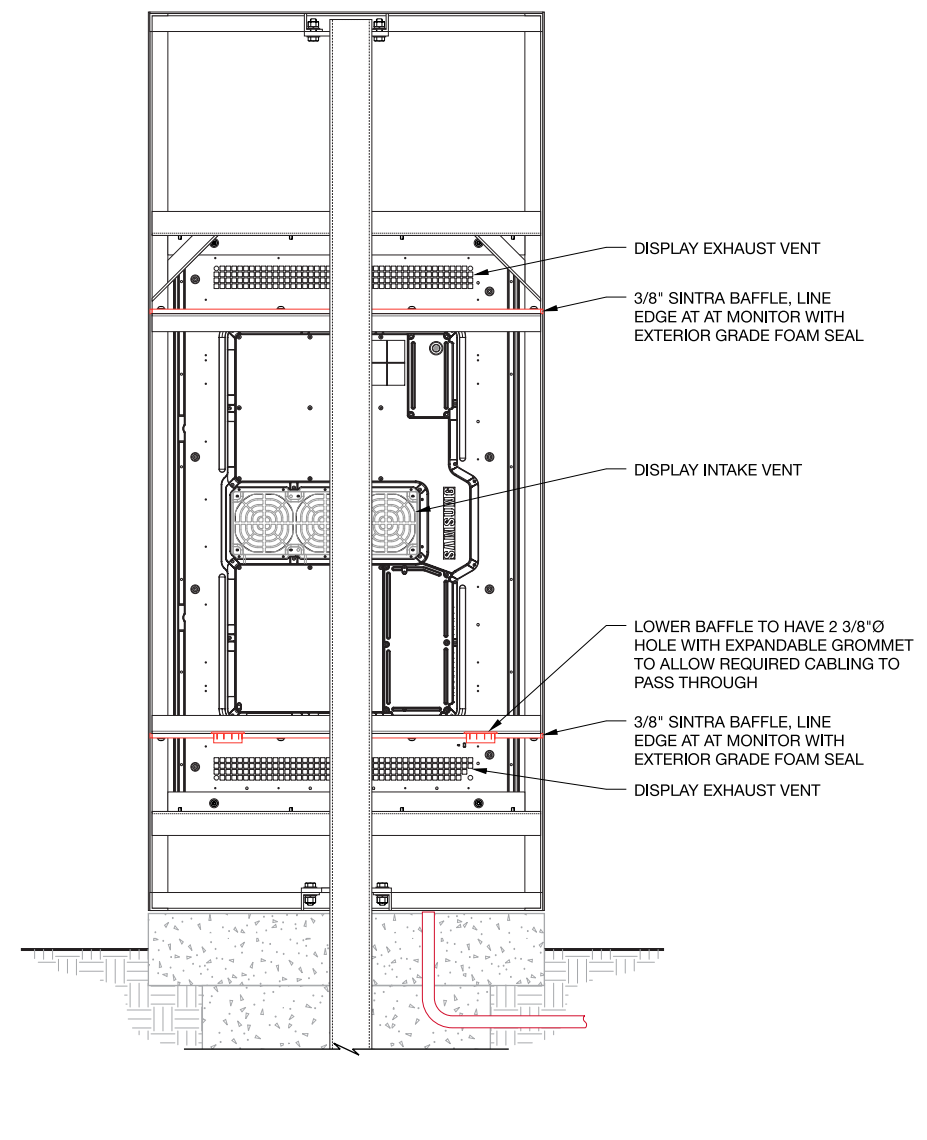
RUNNING SHEET NUMBER 31



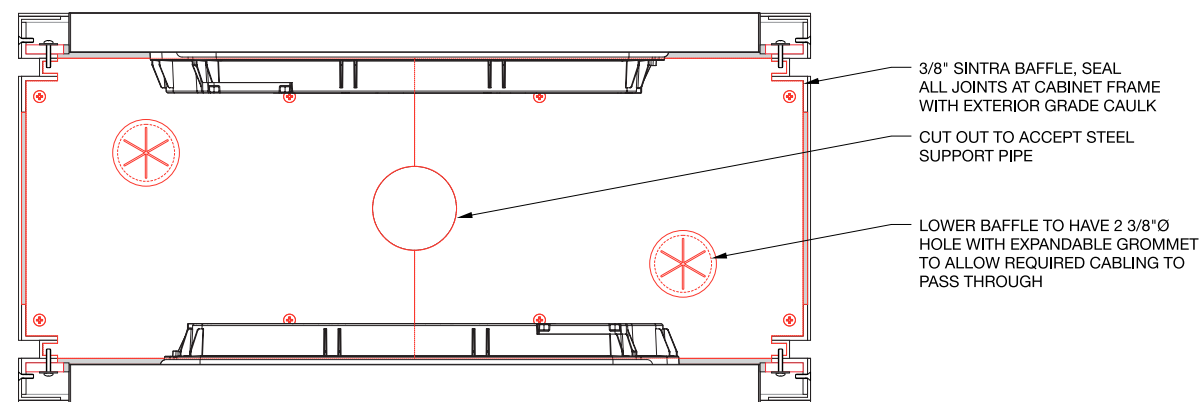
1 ELEVATION - SHOWN WITHOUT PAN COVER
SCALE: 3/4"=1'



2 SECTION
SCALE: 3/4"=1'



3 SECTION
SCALE: 3/4"=1'



4 ELEVATION - SHOWN WITHOUT PAN COVER
SCALE: 1 1/2"=1'

!
DISPLAY AIR INTAKE TO BE ISOLATED FROM DISPLAY EXHAUST WITH 3/8" SINTRA BAFFLES OR EQUIV.

PROJECT INFORMATION

CLIENT
TEXAS A&M UNIVERSITY

PROJECT
MASTER CAMPUS WAYFINDING

PROJECT MGR **DESIGNER**

PROJECT #: 20-0136

SHEET DETAILS

ST 2.2
Parking Garage Identification

DATE: 08/05/2020
SCALE: AS NOTED

FINISH AND MATERIAL SCHEDULE

P1	Powder-coat TG3870061 GRAY
V1	Oracal 5700-010 White Reflective
V3	Oracal 751-049 King Blue

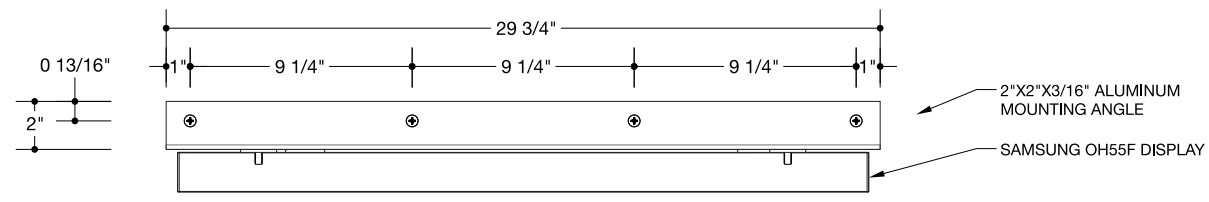
ISSUE

#	DATE	DESCRIPTION
00	08/21/2020	FOR CONSTRUCTION

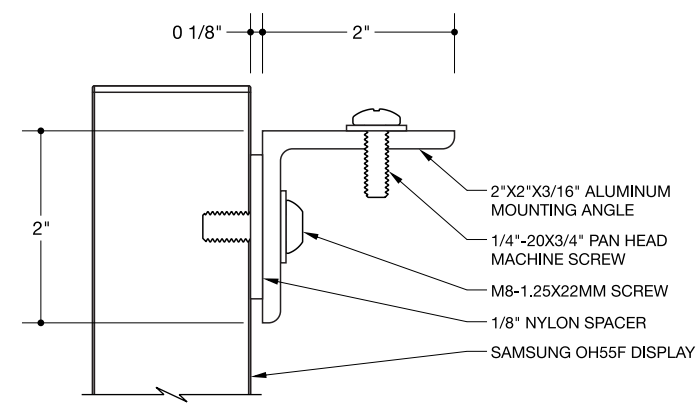
SHEET DESIGNATION

E-2.2-02.5

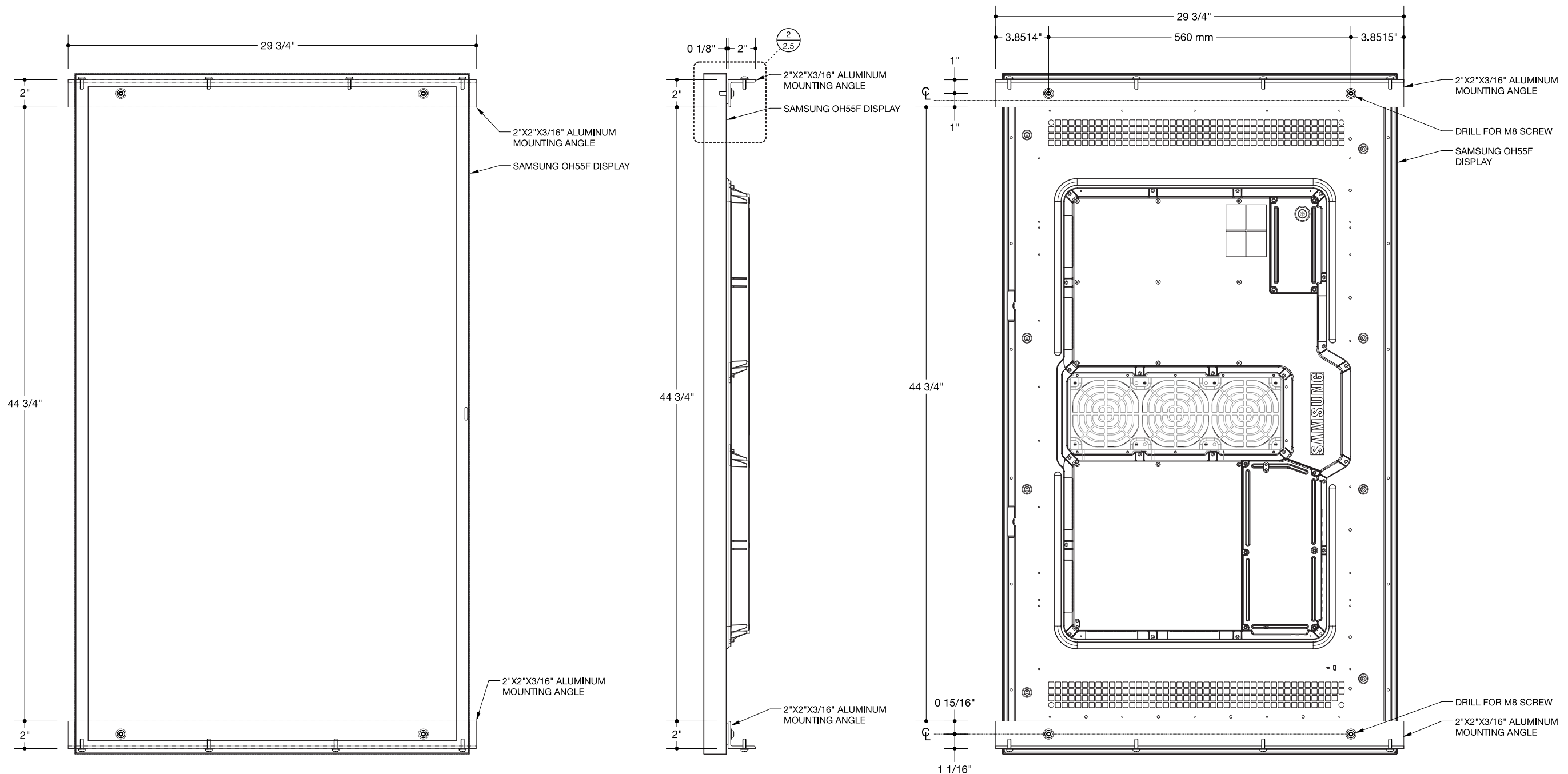
RUNNING SHEET NUMBER 32



1 PLAN - DISPLAY MOUNTING BRACKET
SCALE: 1 1/2"=1'



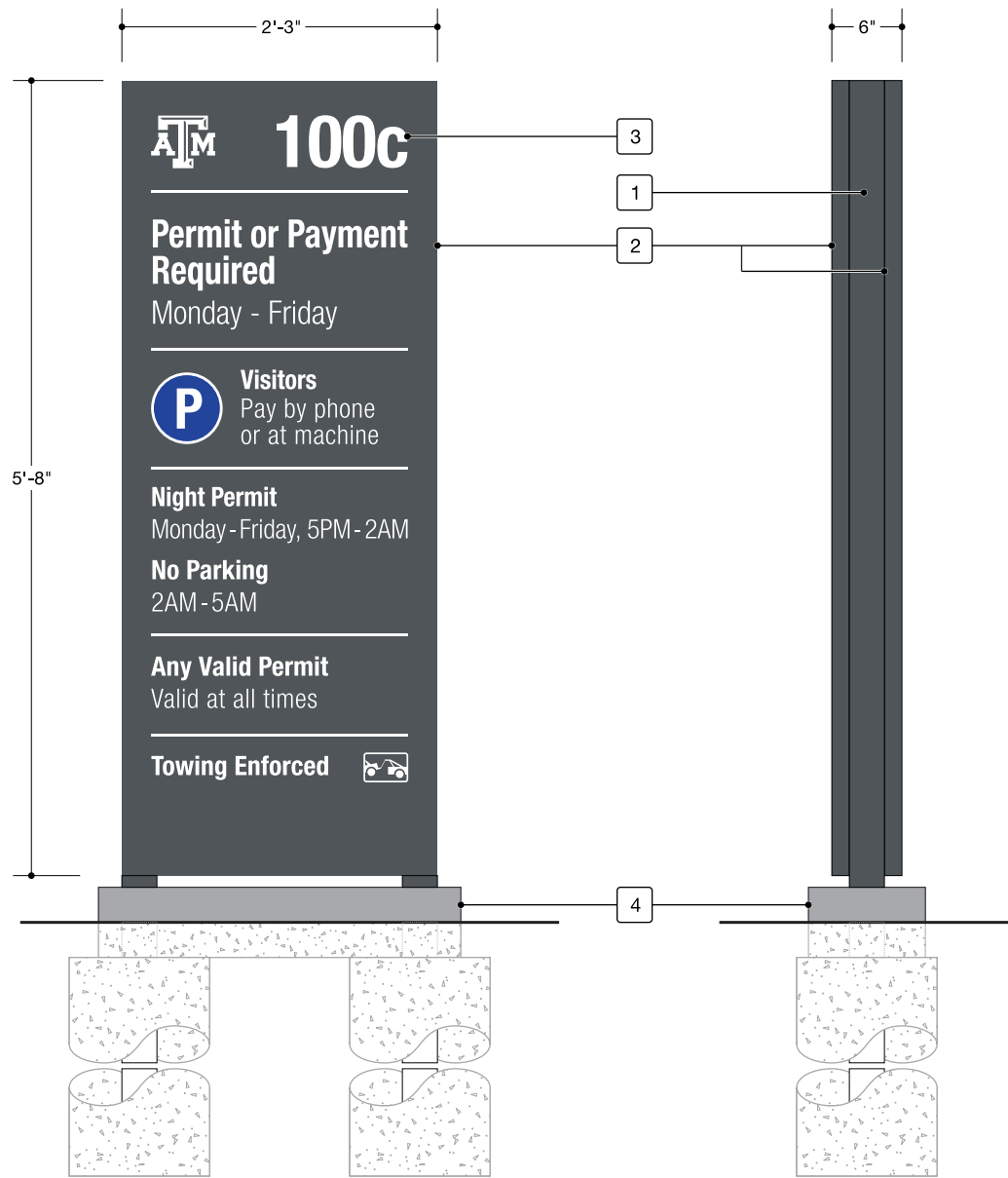
2 DETAIL - DISPLAY MOUNTING BRACKET
SCALE: 6"=1'



3 ELEVATION - DISPLAY MOUNTING BRACKET
SCALE: 1 1/2"=1'

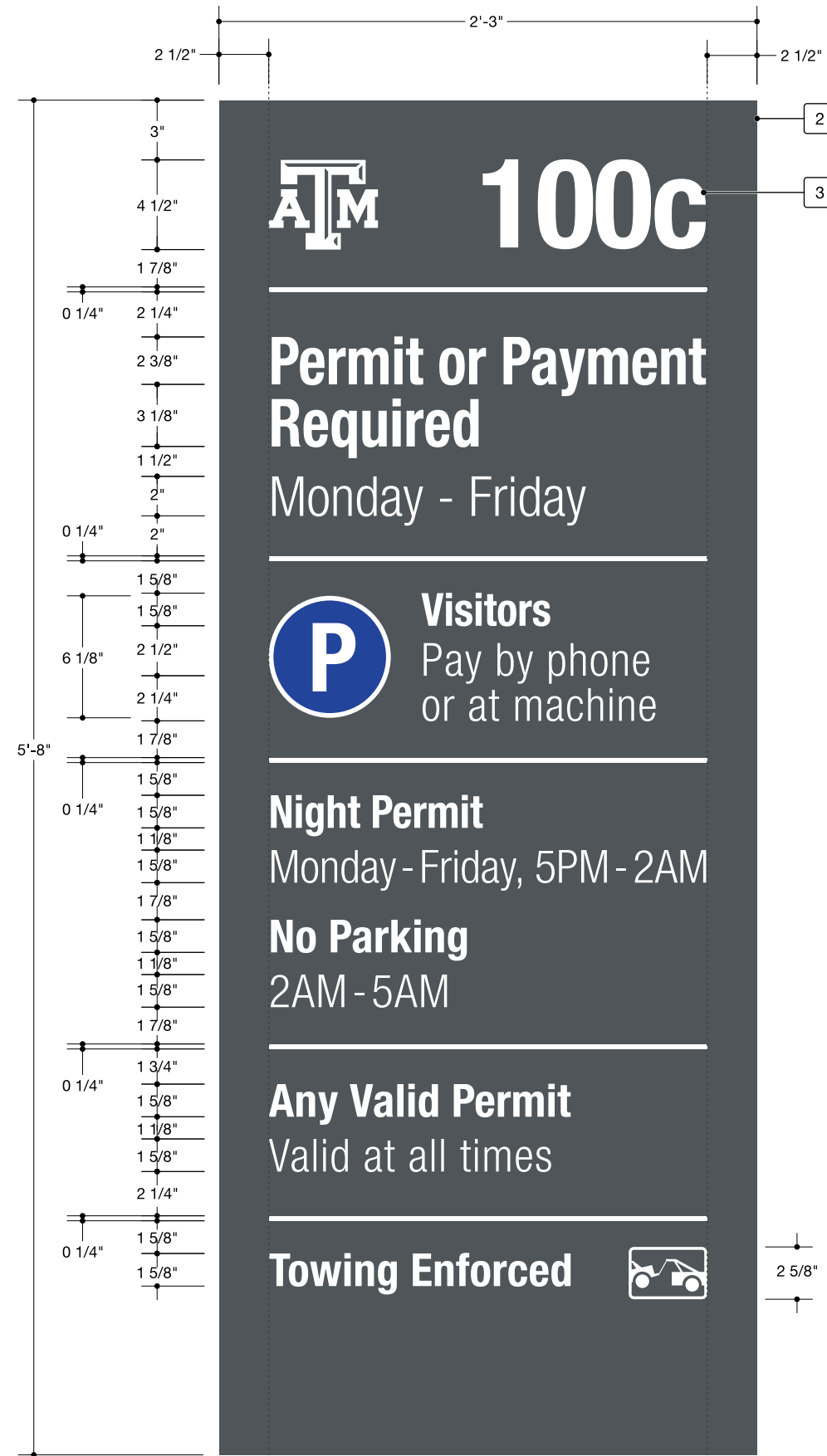
4 PROFILE - DISPLAY MOUNTING BRACKET
SCALE: 1 1/2"=1'

5 ELEVATION FROM BACK - DISPLAY MOUNTING BRACKET
SCALE: 1 1/2"=1'

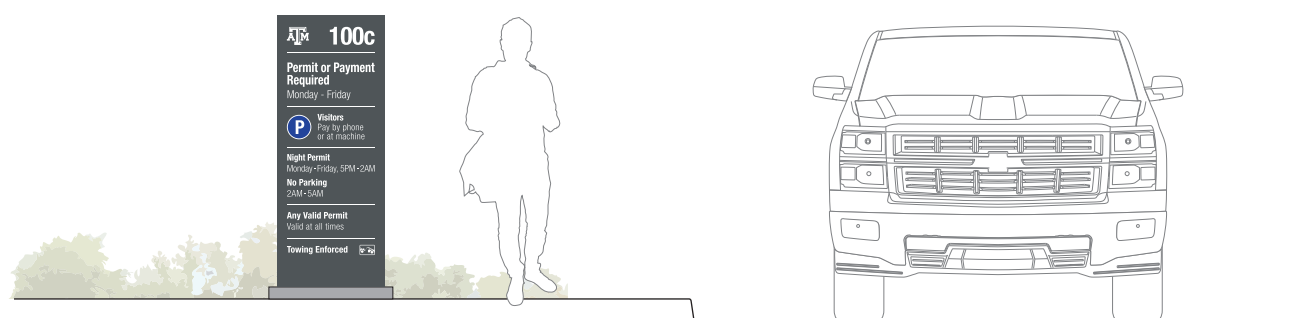


1 ELEVATION - SIDE A
SCALE: 3/4"=1'

2 PROFILE
SCALE: 3/4"=1'



3 MESSAGE PANEL DETAILS
SCALE: 1 1/2"=1'



4 ELEVATION - SIDE B
SCALE: 1/4"=1'

DETAILS

1. Fabricated aluminum square tube frame, powder-coat all visible surfaces TG3870061 Gray.
2. Fabricated aluminum angle pan with 1/8" aluminum paneling powder-coat all visible surfaces TG3870061 Gray. . Fabricated pan secures to primary cabinet with counter sunk #10-24 flat head machine screws and is removable.
3. Contour-cut vinyl pictogram and copy, Oracal 5700-010 White Reflective, Oracal 751-049 King Blue Typeface: Helvetica Neue LT Std Medium Condensed, Helvetica Neue LT Std Light Condensed
4. 6" Concrete pad and pier foundation, 2500 PSI concrete minimum.

NOTES

1. Sign frame is direct bury.
2. Messages shown here for representation only. All messaging By Others. Vinyl to be produced By Others.
3. Powder-coat samples must be approved by the Office of the University Architect prior to fabrication of signs. Powder Coat color may require custom blending.



4543 Brittmoore Road
Houston, Texas 77041
281.971.9529
vistexgraphics.com

PROJECT INFORMATION

CLIENT
TEXAS A&M UNIVERSITY
PROJECT
MASTER CAMPUS WAYFINDING
PROJECT MGR **DESIGNER**

PROJECT #: 20-0136

SHEET DETAILS

ST 2.3
Parking Lot Identification

DATE: 08/05/2020
SCALE: AS NOTED

FINISH AND MATERIAL SCHEDULE

P1	Powder-coat TG3870061 GRAY
V1	Oracal 5700-010 White Reflective
V3	Oracal 751-049 King Blue

ISSUE

#	DATE	DESCRIPTION
00	08/21/2020	FOR CONSTRUCTION

SHEET DESIGNATION

E-2.3-01.0

RUNNING SHEET NUMBER 33

PROJECT INFORMATION

CLIENT
TEXAS A&M UNIVERSITY
PROJECT
MASTER CAMPUS WAYFINDING

PROJECT MGR **DESIGNER**

PROJECT #: 20-0136

SHEET DETAILS

ST 2.3
Parking Lot Identification

DATE: 08/05/2020
SCALE: AS NOTED

FINISH AND MATERIAL SCHEDULE

- P1** Powder-coat
TG3870061 GRAY
- V1** Oracal 5700-010
White Reflective
- V3** Oracal 751-049
King Blue

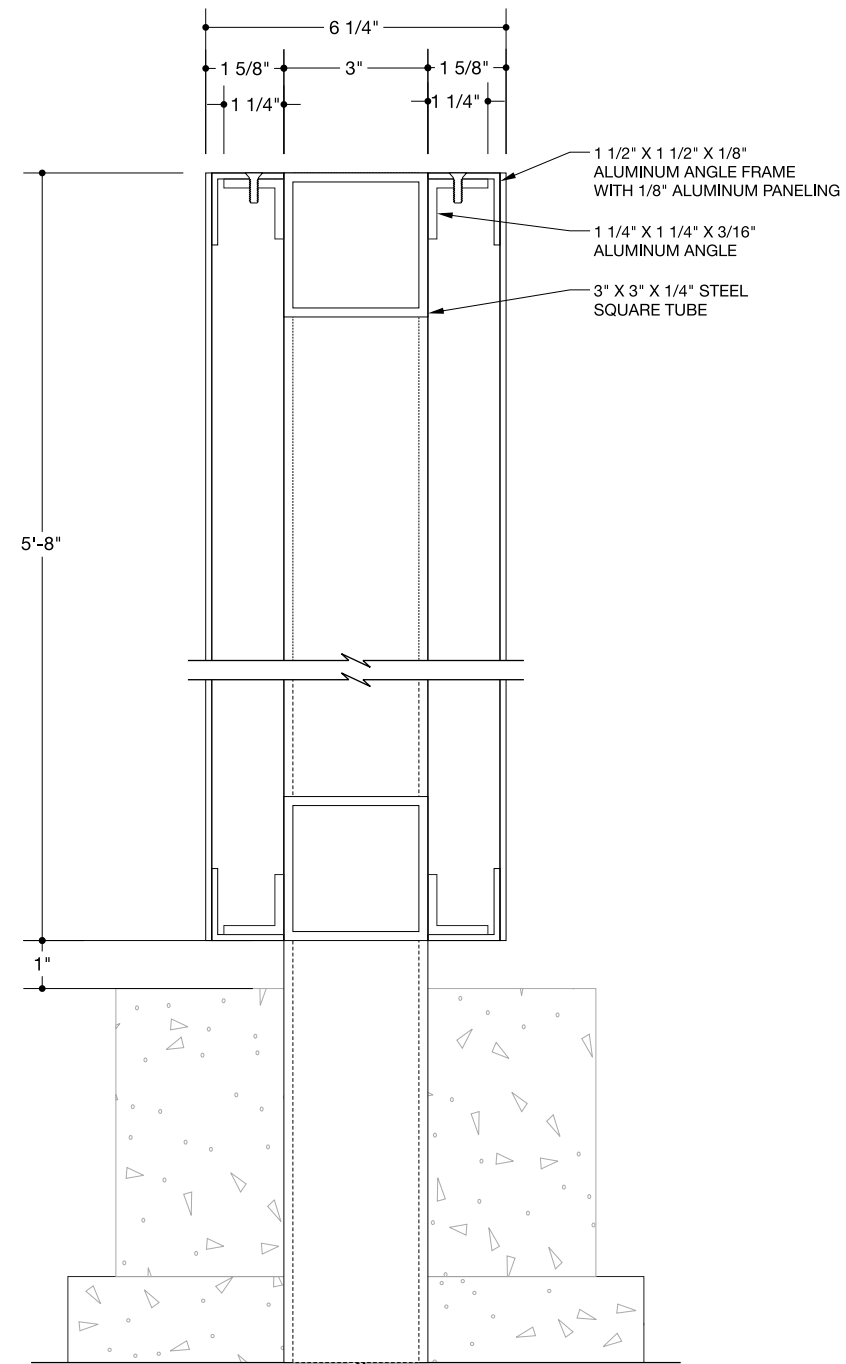
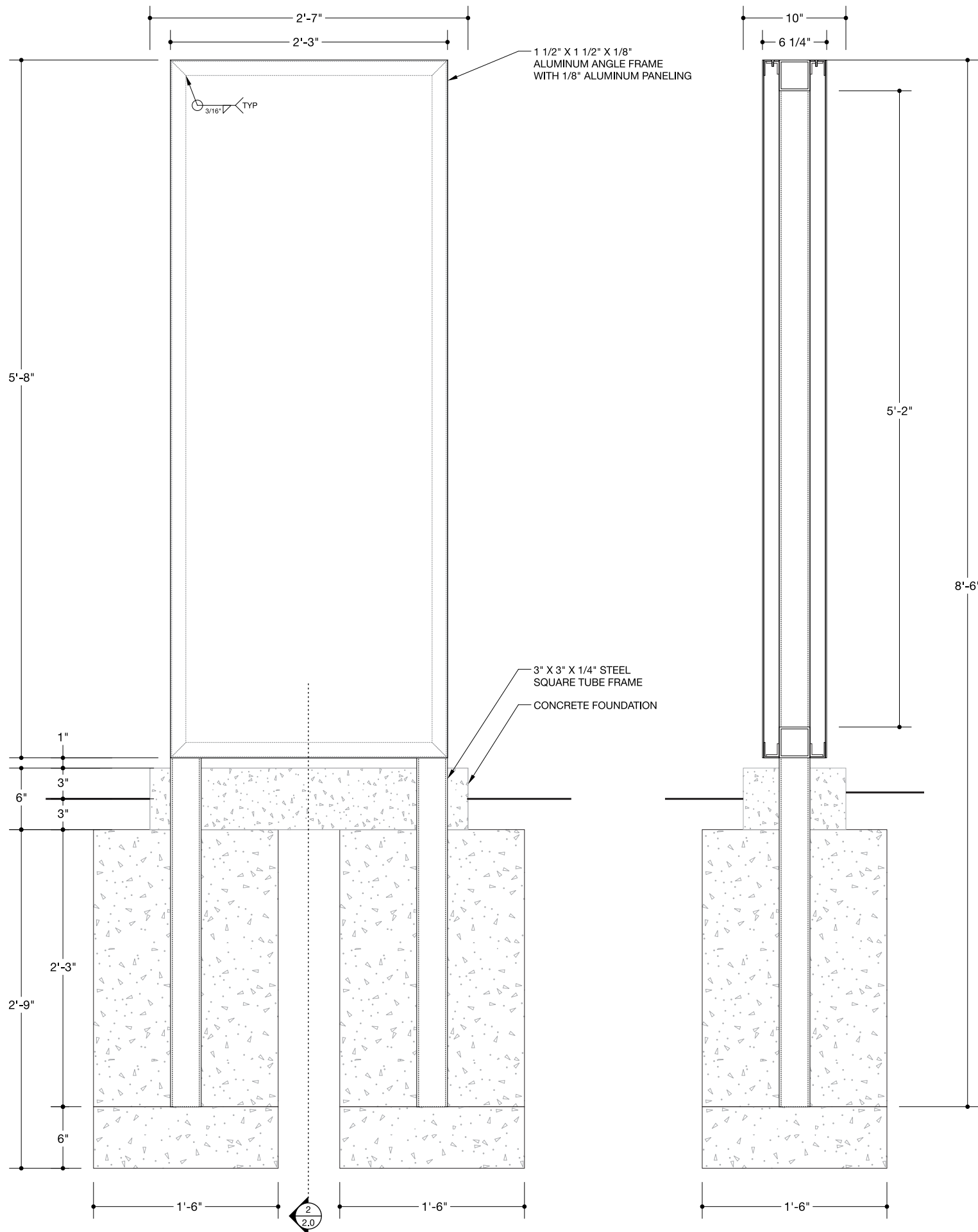
ISSUE

#	DATE	DESCRIPTION
00	08/21/2020	FOR CONSTRUCTION

SHEET DESIGNATION

E-2.3-02.0

RUNNING SHEET NUMBER 34



3 SECTION ENLARGEMENT
SCALE: 3"=1'

1 ELEVATION - SIDE A
SCALE: 1"=1'

2 SECTION
SCALE: 1"=1'

PROJECT INFORMATION

CLIENT
TEXAS A&M UNIVERSITY
PROJECT
MASTER CAMPUS WAYFINDING

PROJECT MGR **DESIGNER**

PROJECT #: 20-0136

SHEET DETAILS

ST 2.3
Parking Lot Identification

DATE: 08/05/2020
SCALE: AS NOTED

FINISH AND MATERIAL SCHEDULE

- P1** Powder-coat
TG3870061 GRAY
- V1** Oracal 5700-010
White Reflective
- V3** Oracal 751-049
King Blue

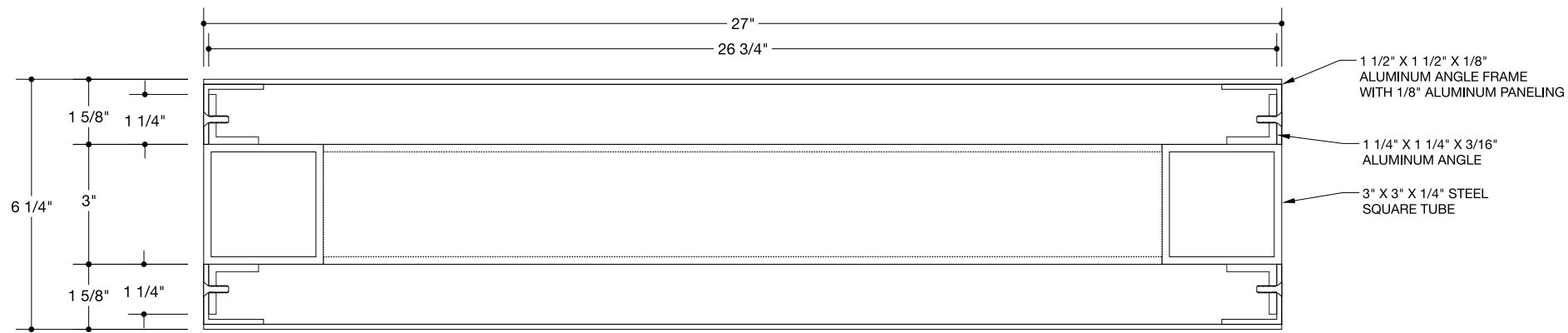
ISSUE

#	DATE	DESCRIPTION
00	08/21/2020	FOR CONSTRUCTION

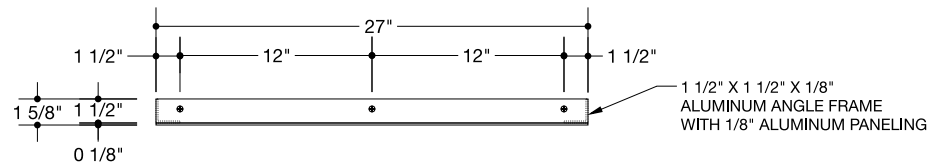
SHEET DESIGNATION

E-2.3-02.1

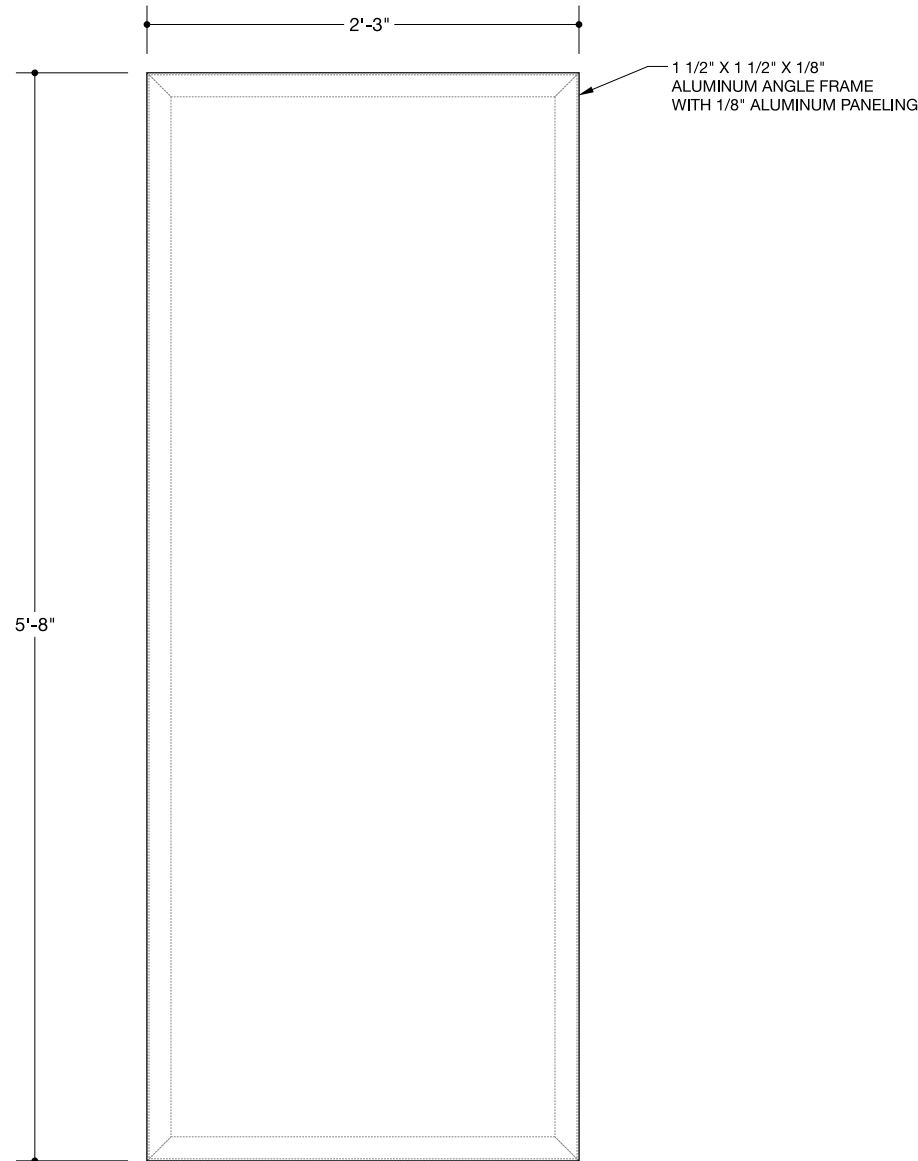
RUNNING SHEET NUMBER 35



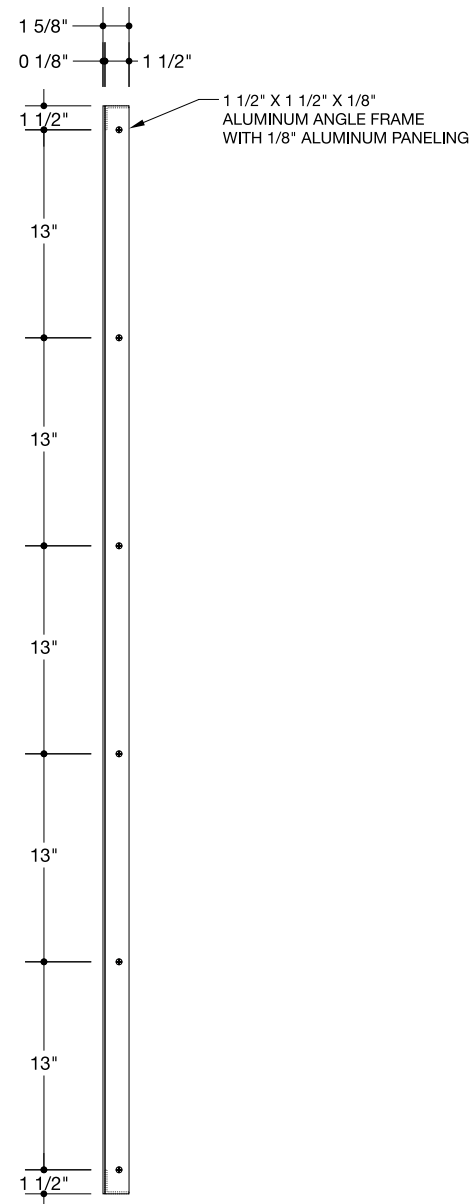
1 SECTION
SCALE: 3"=1'



2 ELEVATION - FABRICATED PAN
SCALE: 1"=1'



3 ELEVATION - FABRICATED PAN
SCALE: 1"=1'



4 PROFILE - FABRICATED PAN
SCALE: 1"=1'

PROJECT INFORMATION

CLIENT
TEXAS A&M UNIVERSITY

PROJECT
MASTER CAMPUS WAYFINDING

PROJECT MGR **DESIGNER**

PROJECT #: 20-0136

SHEET DETAILS

ST 3.1
Pedestrian Campus Map

DATE: 08/05/2020
SCALE: AS NOTED

FINISH AND MATERIAL SCHEDULE

P1	Powder-coat TG3870061 GRAY
P2	Powder-coat SW2716 Maroon
V1	Oracal 751-010 White

ISSUE

#	DATE	DESCRIPTION
00	08/21/2020	FOR CONSTRUCTION

SHEET DESIGNATION

E-3.1-01.0

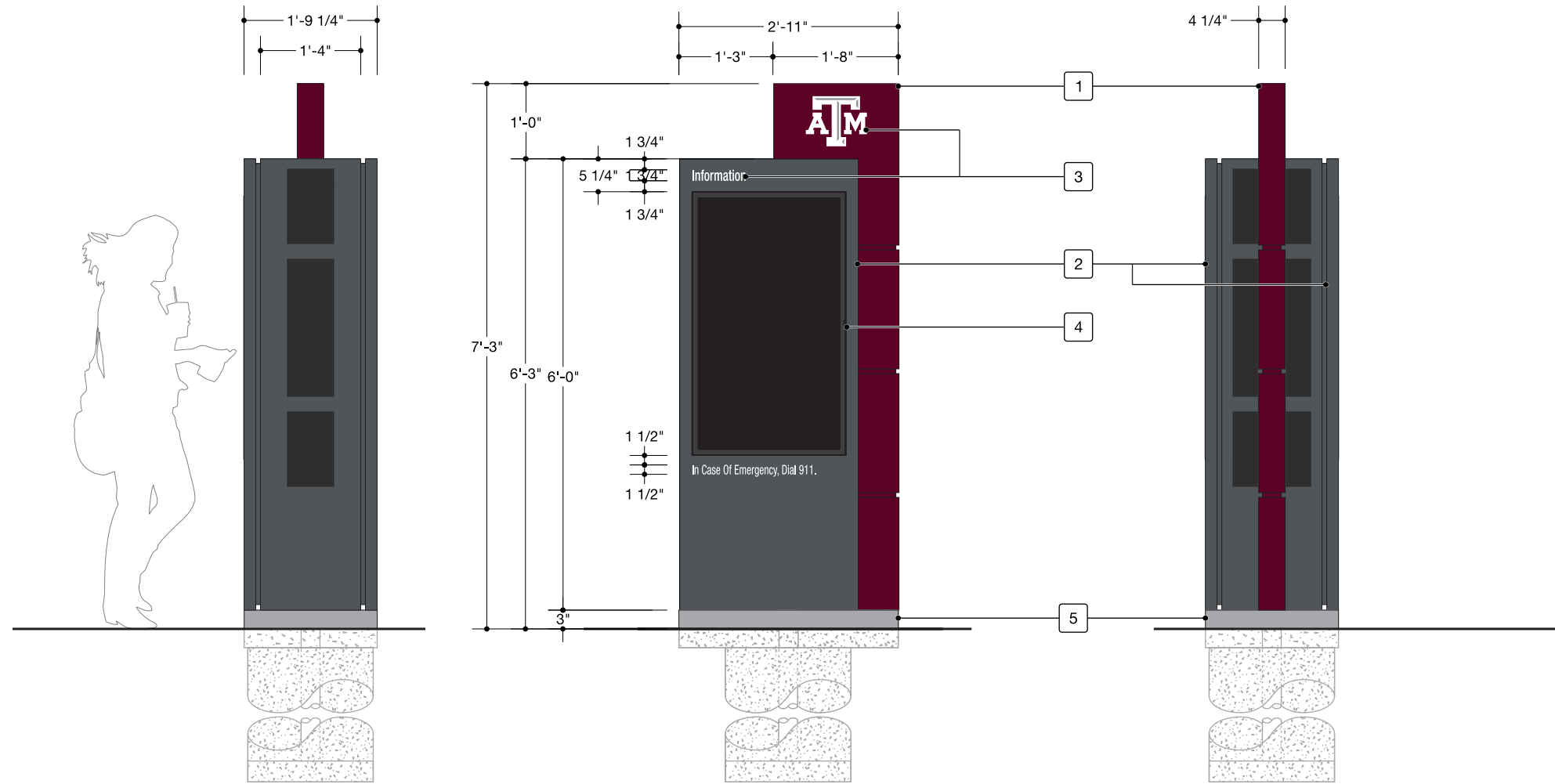
RUNNING SHEET NUMBER 36

DETAILS

1. Fabricated aluminum angle accent with 1/8" aluminum paneling. Powder-coat all visible surfaces Powder-coat SW2716 Maroon.
2. Fabricated aluminum angle cabinet with aluminum angle pan with 1/8" aluminum paneling. Returns to be perforated for venting per display manufacturers recommendations. Powder-coat all visible surfaces TG3870061 Gray. Fabricated pan secures to primary cabinet with counter sunk #10-24 flat head machine screws and is removable.
3. Samsung OH46F LED Display, programmable. Display and installation By Others
4. Contour-cut vinyl logo, copy, and symbols, Oracal 571-010 White
Typeface: Helvetica Neue LT Std Medium Condensed
5. 6" Concrete pad and pier foundation, 2500PSI Concrete

NOTES

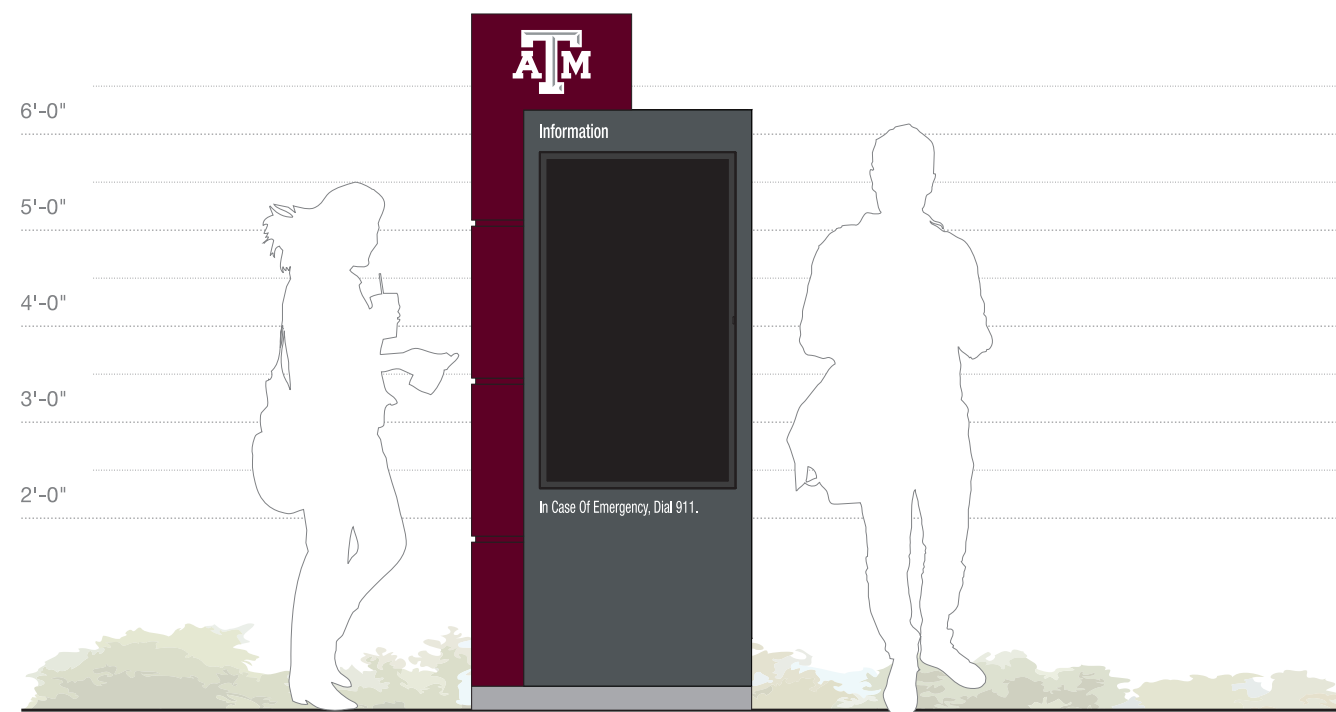
1. Messages shown here for representation only. All messaging By Others. Vinyl to be produced By Others.
2. Powder-coat samples must be approved by the Office of the University Architect prior to fabrication of signs. Powder Coat color may require custom blending.



1 LEFT PROFILE (THOROUGHFARE)
SCALE: 1/2"=1'

2 ELEVATION - SIDE A
SCALE: 1/2"=1'

3 RIGHT PROFILE
SCALE: 1/2"=1'



4 ELEVATION - SIDE B
SCALE: 1/2"=1'

PROJECT INFORMATION

CLIENT
TEXAS A&M UNIVERSITY
PROJECT
MASTER CAMPUS WAYFINDING

PROJECT MGR **DESIGNER**

PROJECT #: 20-0136

SHEET DETAILS

ST 3.1
Pedestrian Campus Map

DATE: 08/05/2020
SCALE: AS NOTED

FINISH AND MATERIAL SCHEDULE

- P1** Powder-coat
TG3870061 GRAY
- P2** Powder-coat
SW2716 Maroon
- V1** Oracal 751-010
White

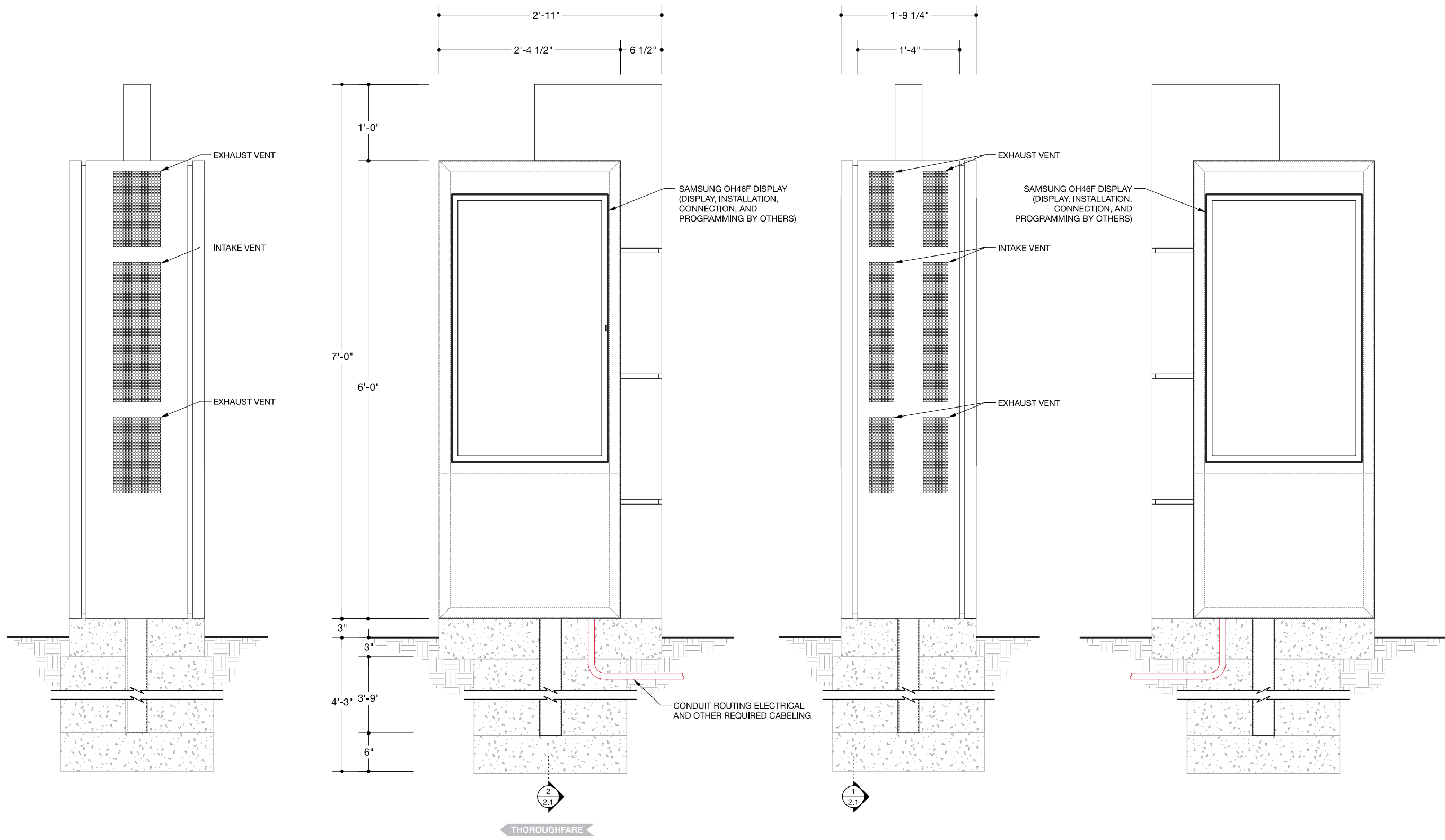
ISSUE

#	DATE	DESCRIPTION
00	08/21/2020	FOR CONSTRUCTION

SHEET DESIGNATION

E-3.1-02.0

RUNNING SHEET NUMBER 37



1 LEFT PROFILE (THOROUGHFARE)
SCALE: 3/4"=1'

2 ELEVATION - SIDE A
SCALE: 3/4"=1'

3 RIGHT PROFILE
SCALE: 3/4"=1'

4 ELEVATION - SIDE B
SCALE: 3/4"=1'

PROJECT INFORMATION

CLIENT
TEXAS A&M UNIVERSITY
PROJECT
MASTER CAMPUS WAYFINDING

PROJECT MGR **DESIGNER**

PROJECT #: 20-0136

SHEET DETAILS

ST 3.1
Pedestrian Campus Map

DATE: 08/05/2020
SCALE: AS NOTED

FINISH AND MATERIAL SCHEDULE

P1	Powder-coat TG3870061 GRAY
P2	Powder-coat SW2716 Maroon
V1	Oracal 751-010 White

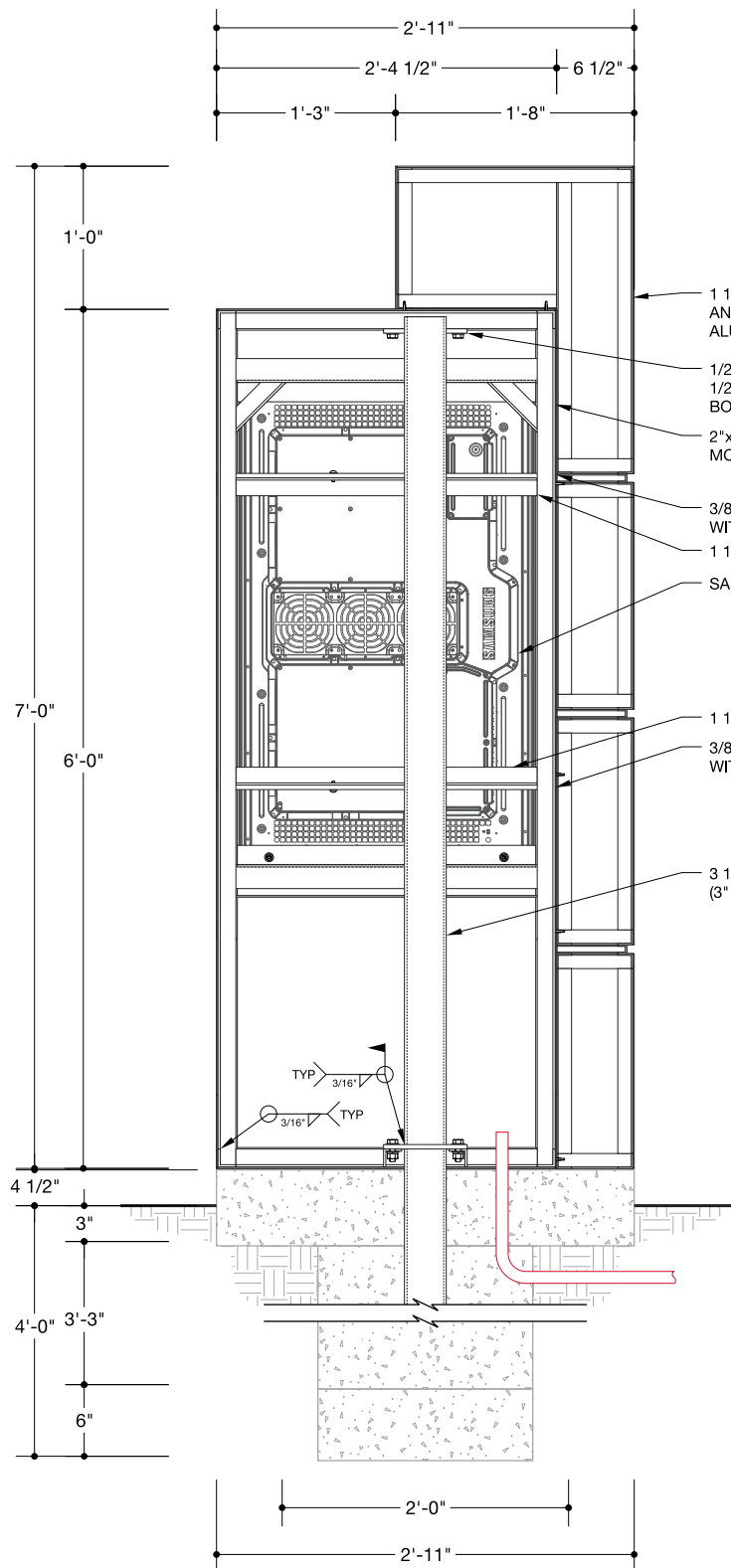
ISSUE

#	DATE	DESCRIPTION
00	08/21/2020	FOR CONSTRUCTION

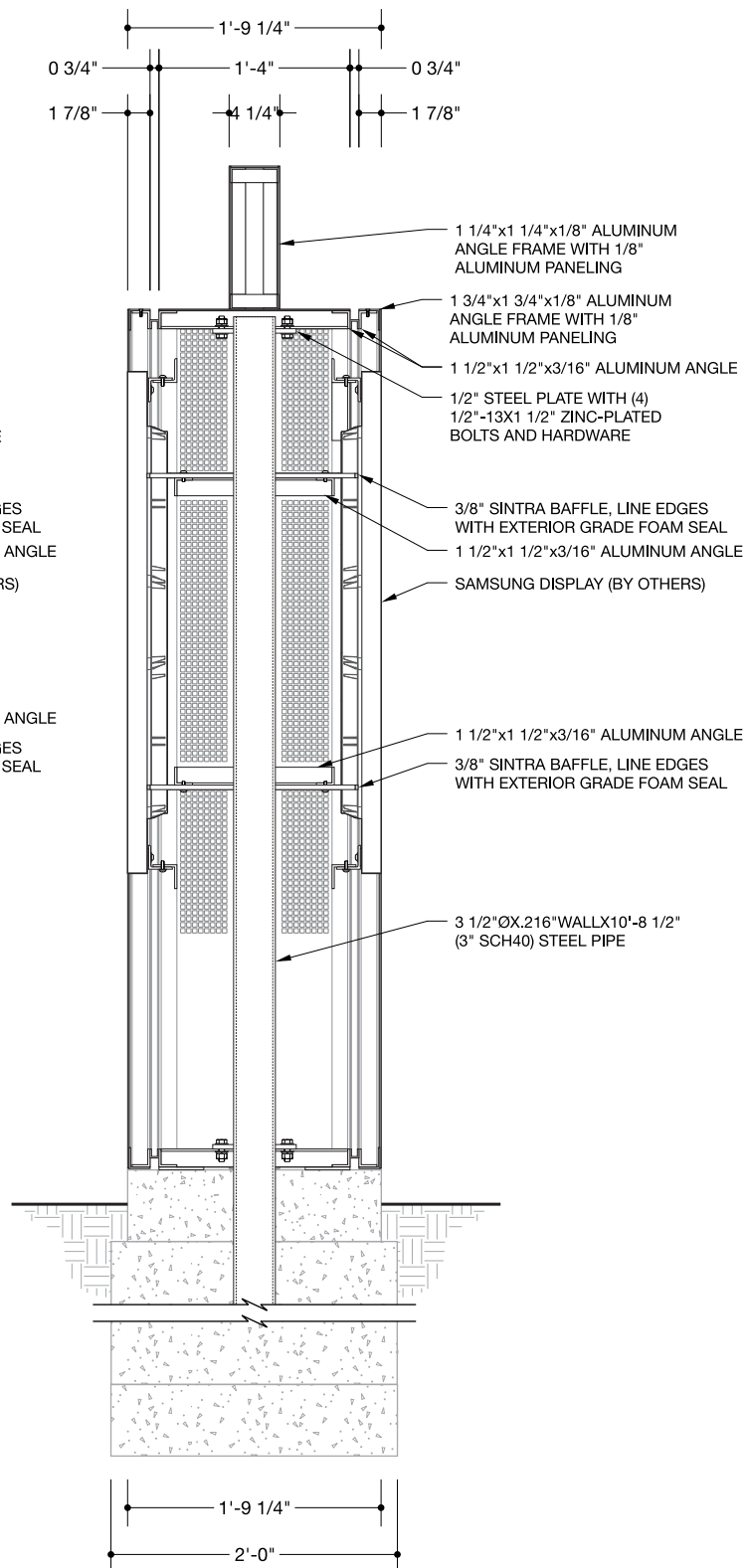
SHEET DESIGNATION

E-3.1-02.1

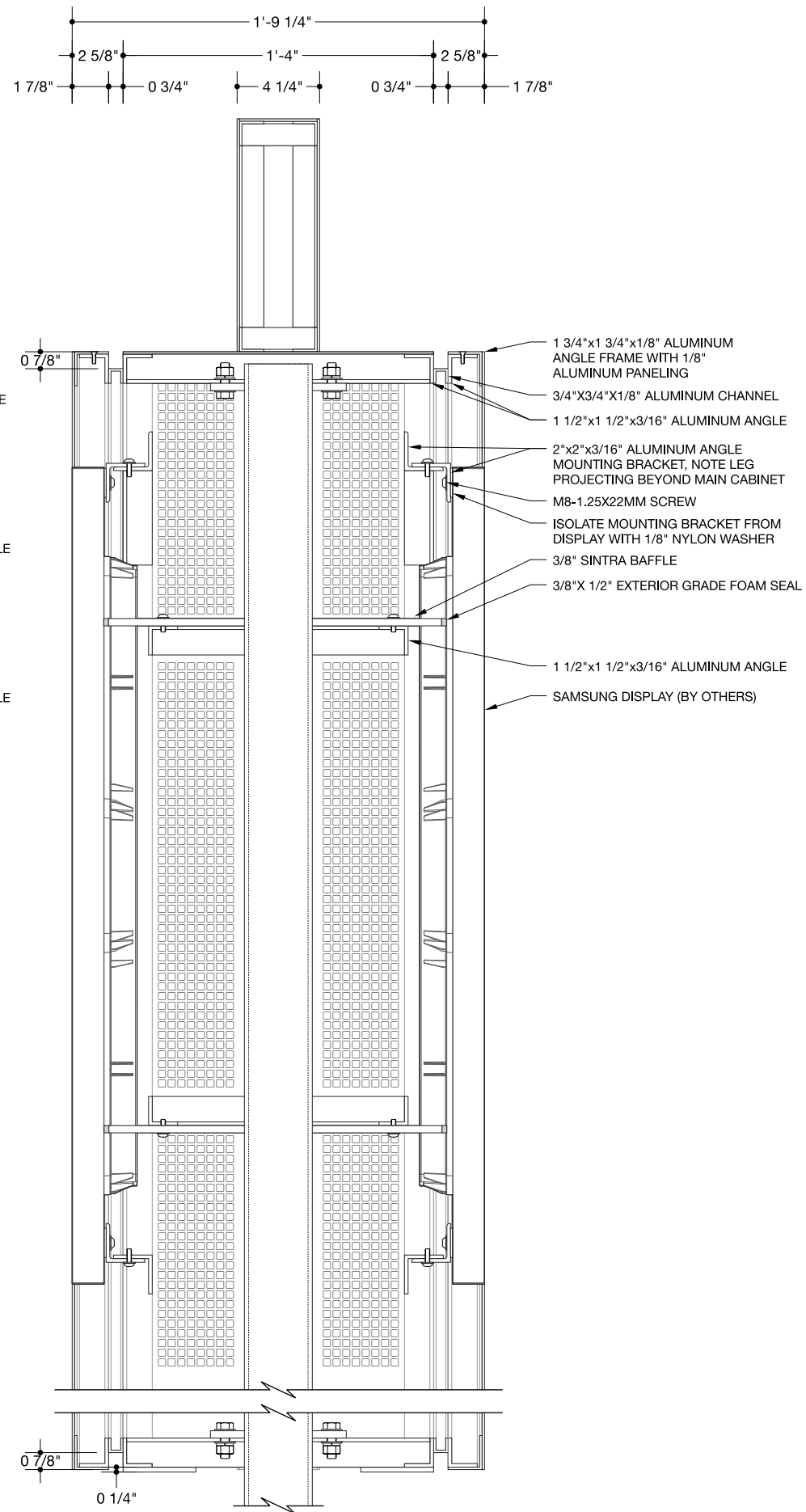
RUNNING SHEET NUMBER 38



1 SECTION
SCALE: 3/4"=1'



2 SECTION
SCALE: 3/4"=1'



3 SECTION DETAIL
SCALE: 1 1/2"=1'

PROJECT INFORMATION

CLIENT
TEXAS A&M UNIVERSITY

PROJECT
MASTER CAMPUS WAYFINDING

PROJECT MGR **DESIGNER**

PROJECT #: 20-0136

SHEET DETAILS

ST 3.1
Pedestrian Campus Map

DATE: 08/05/2020
SCALE: AS NOTED

FINISH AND MATERIAL SCHEDULE

P1	Powder-coat TG3870061 GRAY
P2	Powder-coat SW2716 Maroon
V1	Oracal 751-010 White

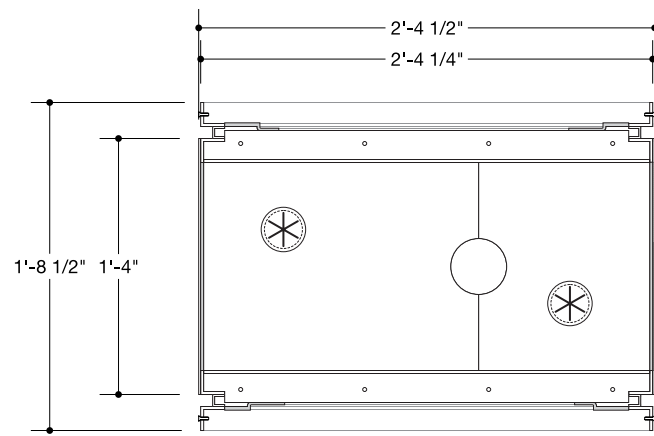
ISSUE

#	DATE	DESCRIPTION
00	08/21/2020	FOR CONSTRUCTION

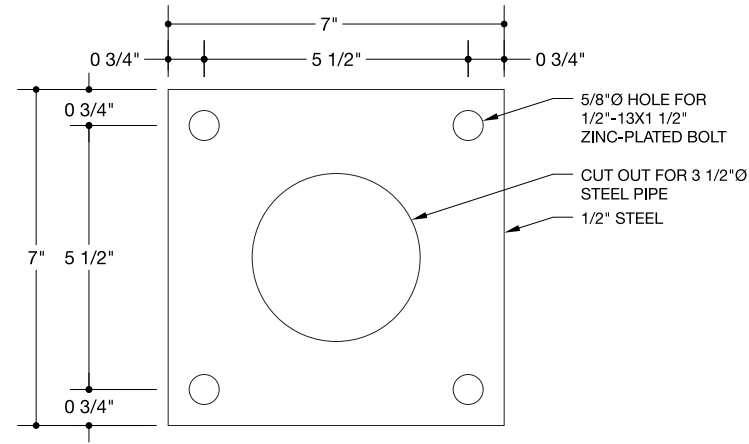
SHEET DESIGNATION

E-3.1-02.2

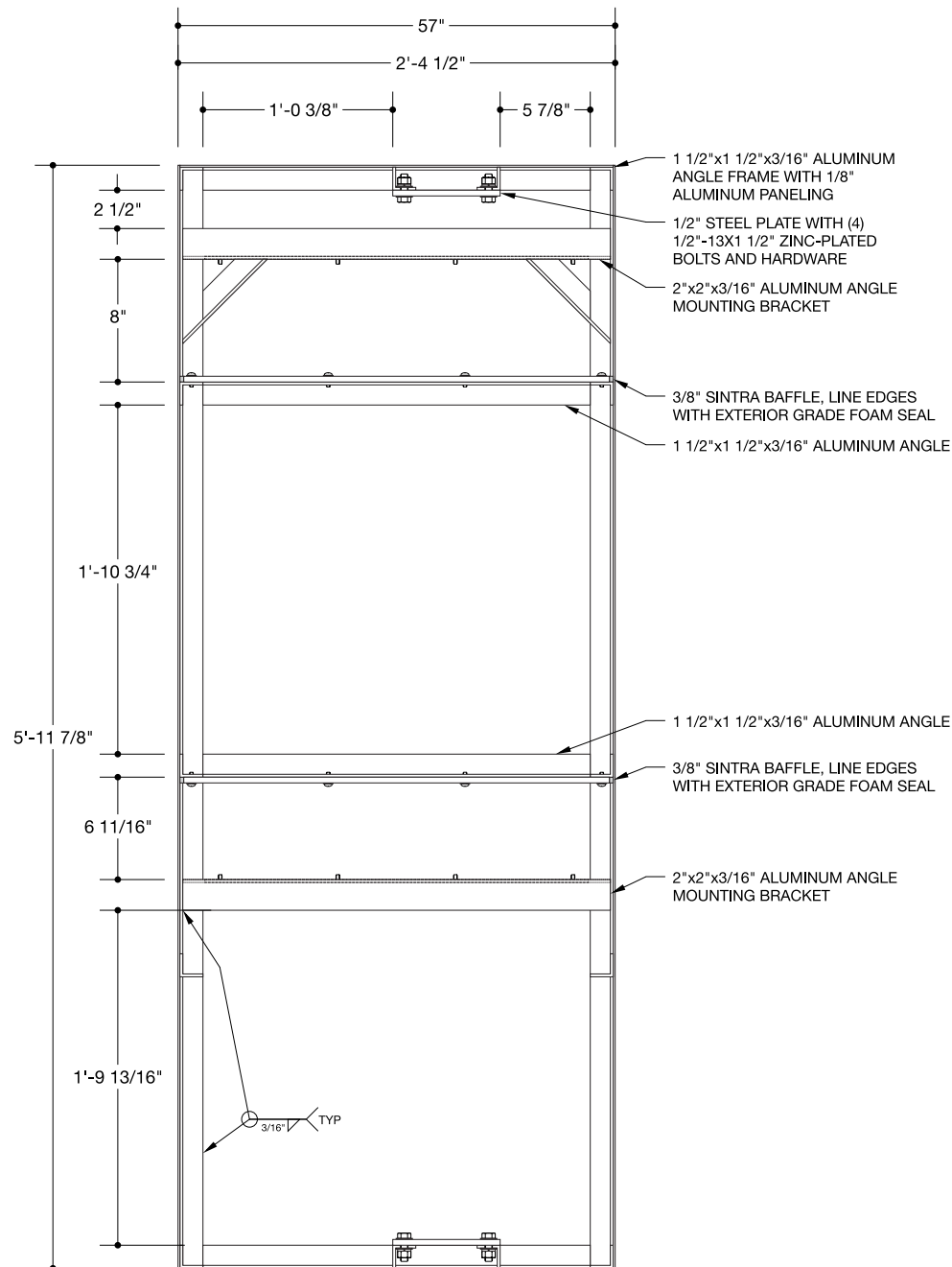
RUNNING SHEET NUMBER 39



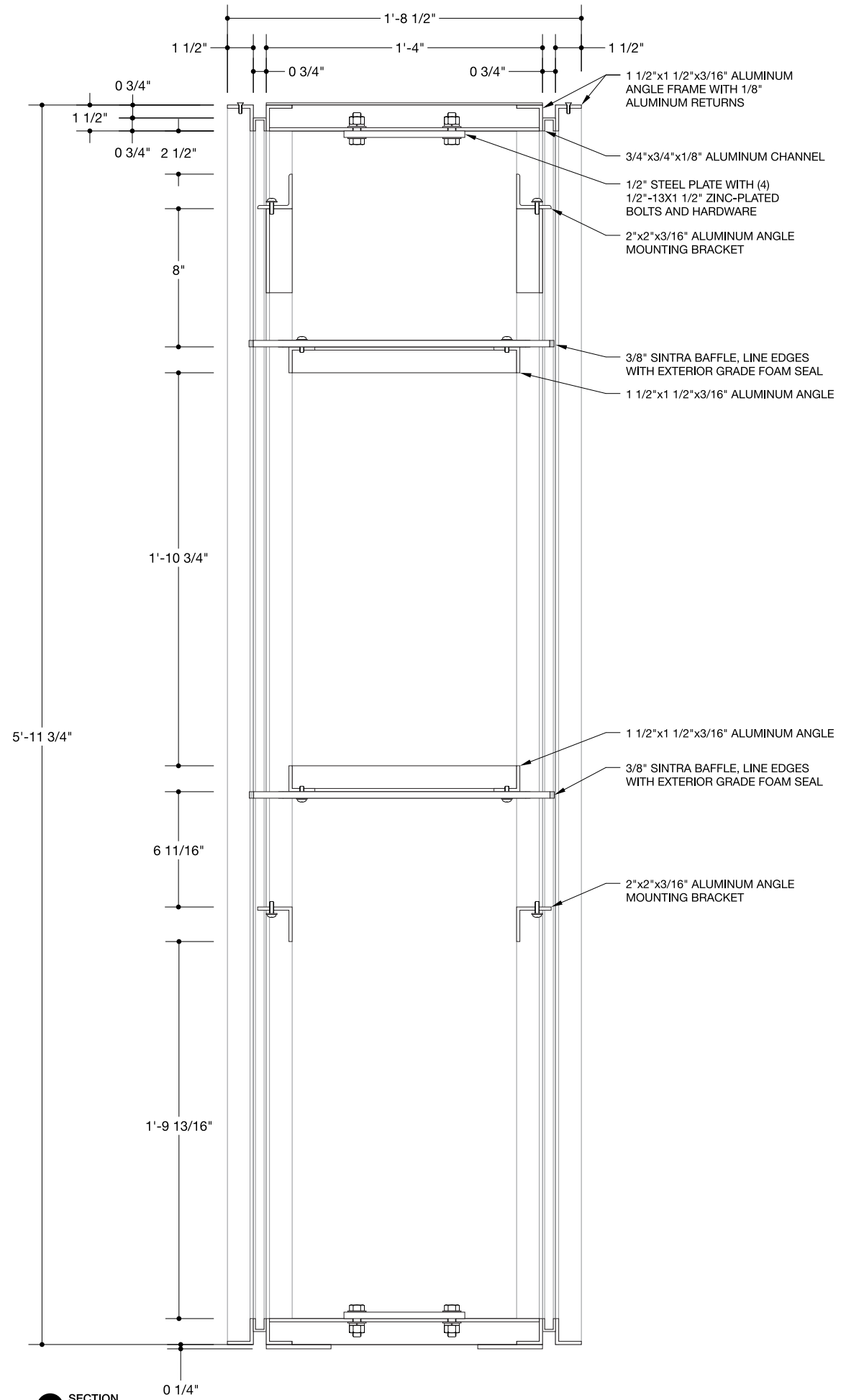
1 SECTION
SCALE: 1"=1'



2 SADDLE PLATE
SCALE: 3"=1'



3 SECTION
SCALE: 1"=1'



4 SECTION
SCALE: 1 1/2"=1'

PROJECT INFORMATION

CLIENT
TEXAS A&M UNIVERSITY

PROJECT
MASTER CAMPUS WAYFINDING

PROJECT MGR **DESIGNER**

PROJECT #: 20-0136

SHEET DETAILS

ST 3.1
Pedestrian Campus Map

DATE: 08/05/2020
SCALE: AS NOTED

FINISH AND MATERIAL SCHEDULE

- P1** Powder-coat
TG3870061 GRAY
- P2** Powder-coat
SW2716 Maroon
- V1** Oracal 751-010
White

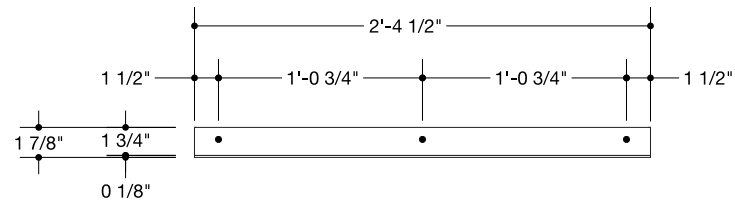
ISSUE

#	DATE	DESCRIPTION
00	08/21/2020	FOR CONSTRUCTION

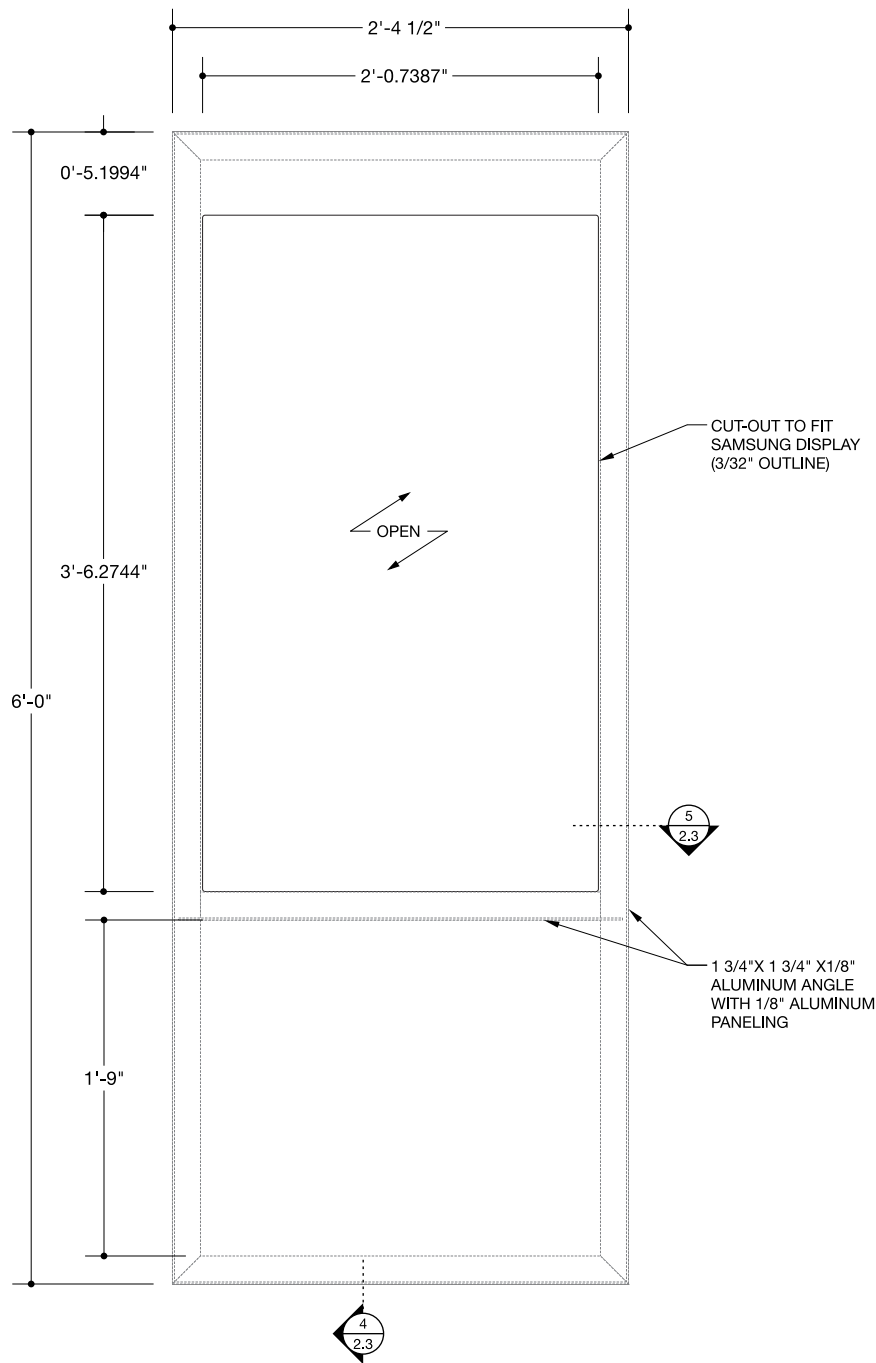
SHEET DESIGNATION

E-3.1-02.3

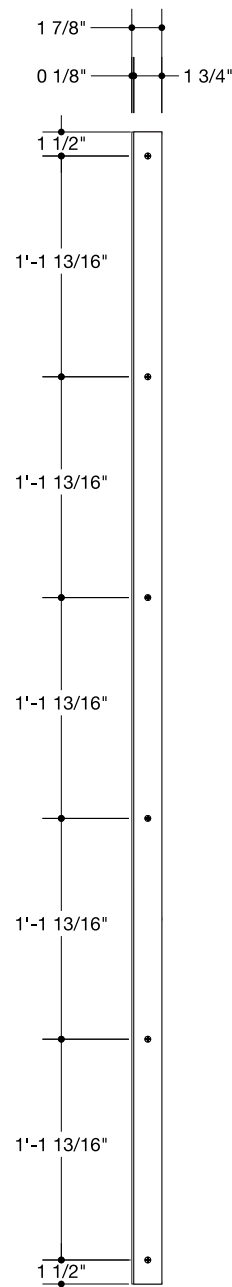
RUNNING SHEET NUMBER 40



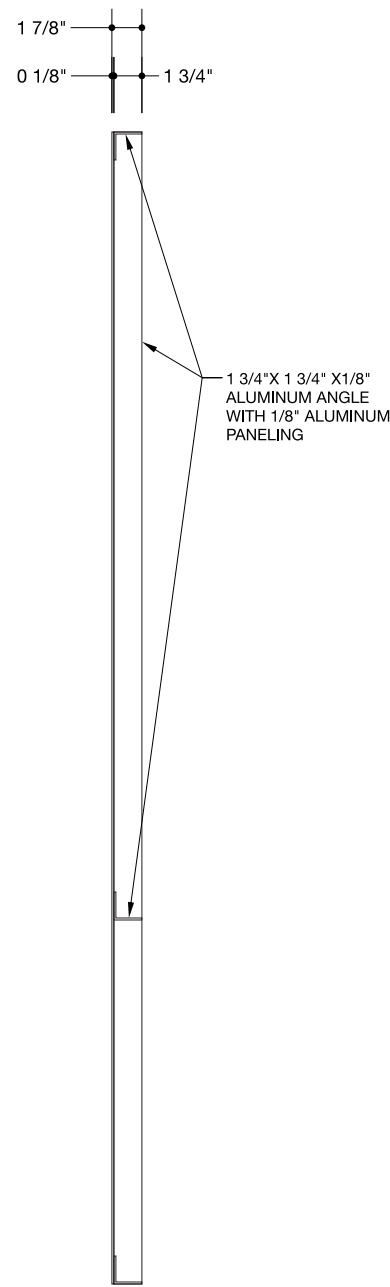
1 PLAN
SCALE: 1"=1'



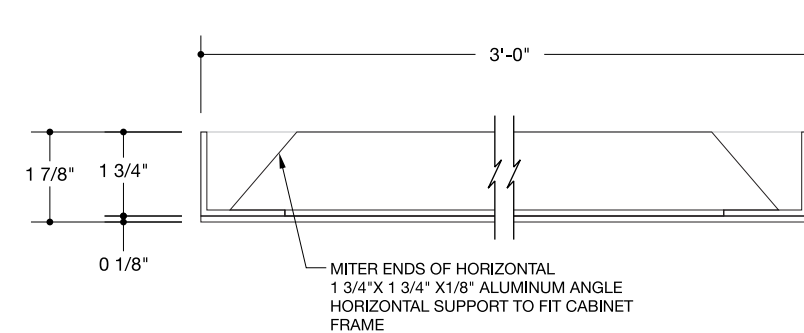
2 ELEVATION
SCALE: 1"=1'



3 PROFILE
SCALE: 1"=1'



4 SECTION
SCALE: 1"=1'



5 SECTION
SCALE: 3"=1'

PROJECT INFORMATION

CLIENT
TEXAS A&M UNIVERSITY

PROJECT
MASTER CAMPUS WAYFINDING

PROJECT MGR **DESIGNER**

PROJECT #: 20-0136

SHEET DETAILS

ST 3.1
Pedestrian Campus Map

DATE: 08/05/2020
SCALE: AS NOTED

FINISH AND MATERIAL SCHEDULE

- P1** Powder-coat
TG3870061 GRAY
- P2** Powder-coat
SW2716 Maroon
- V1** Oracal 751-010
White

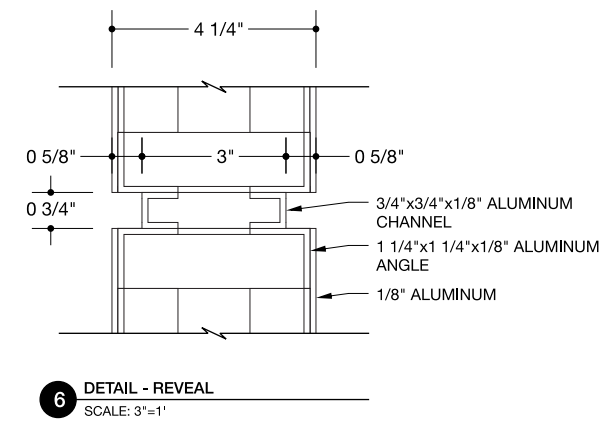
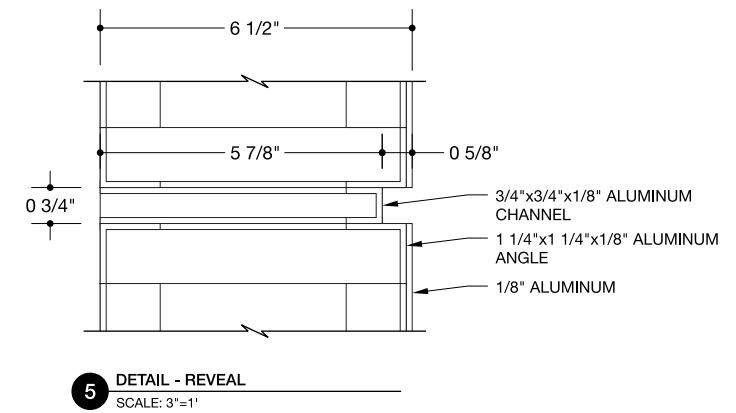
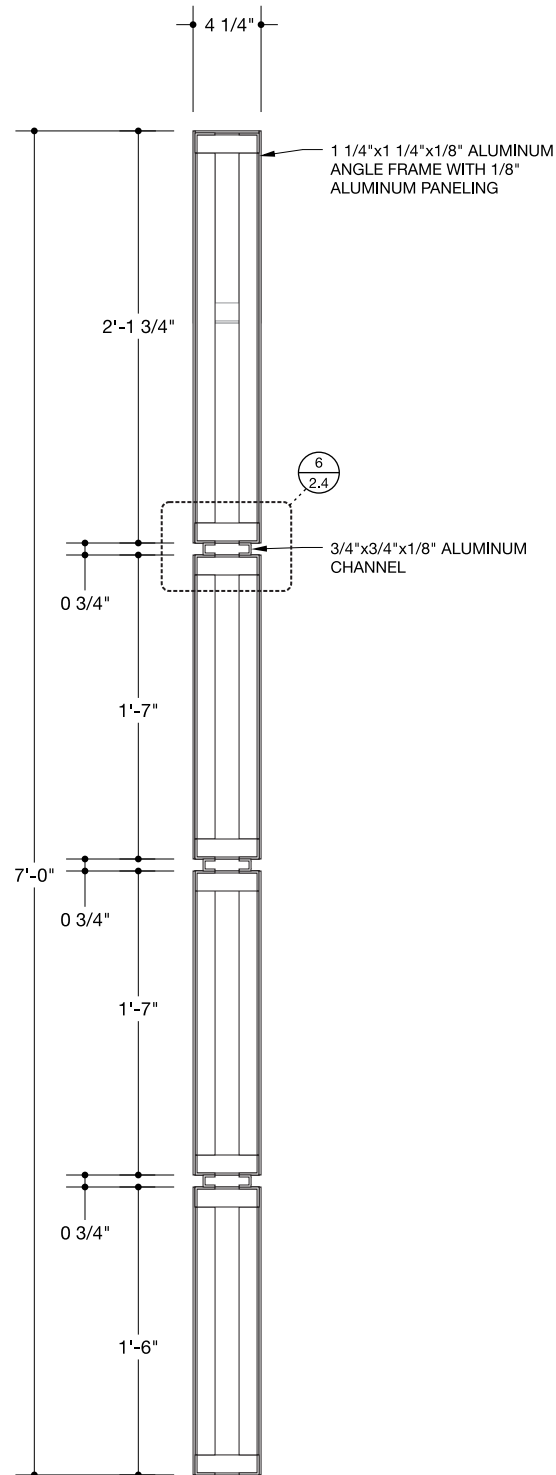
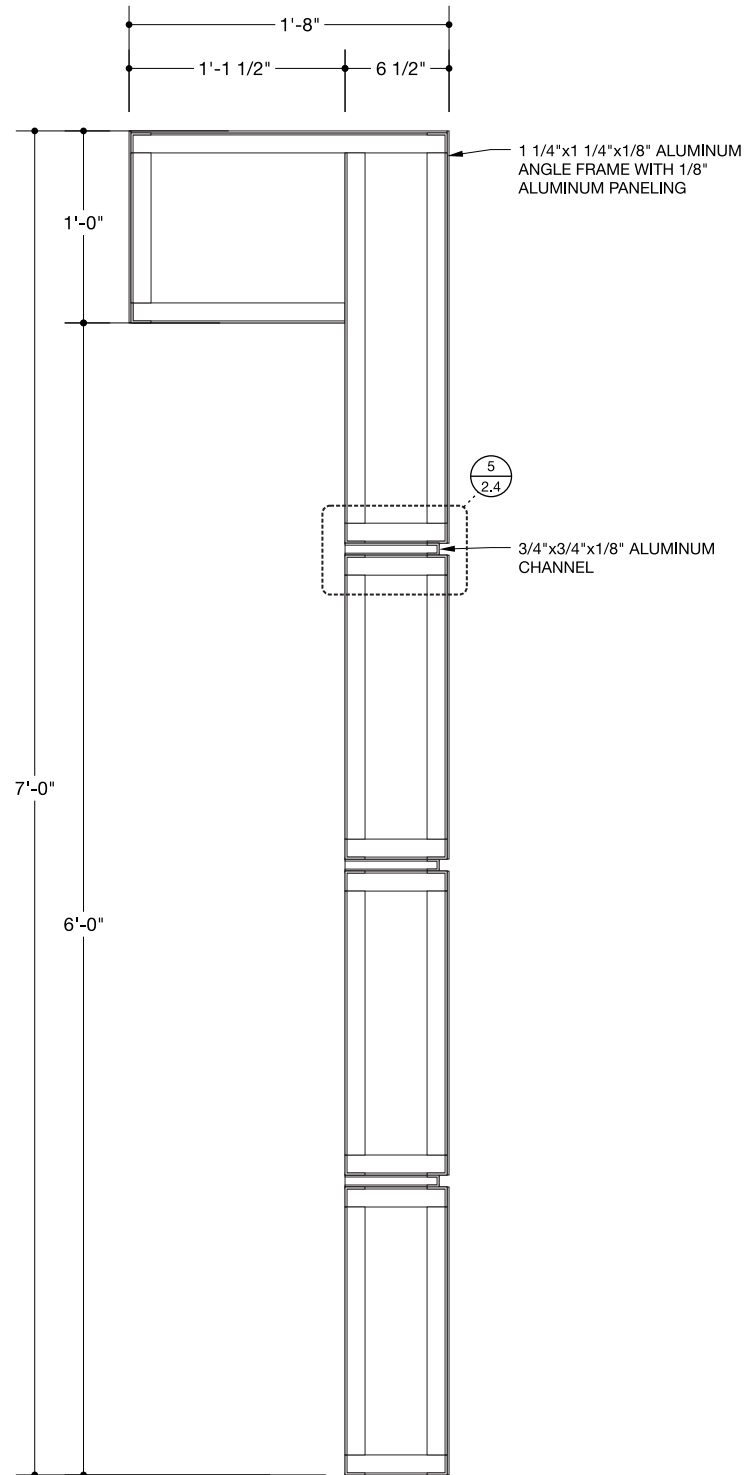
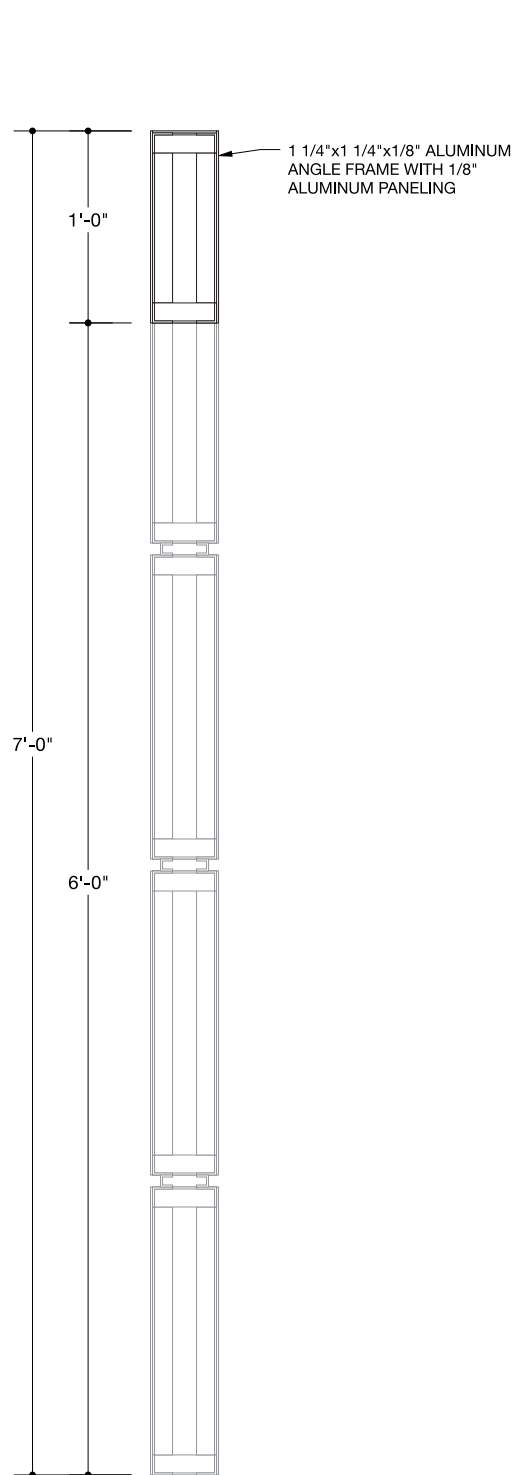
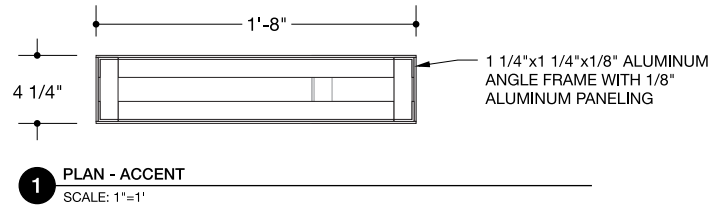
ISSUE

#	DATE	DESCRIPTION
00	08/21/2020	FOR CONSTRUCTION

SHEET DESIGNATION

E-3.1-02.4

RUNNING SHEET NUMBER 41



PROJECT INFORMATION

CLIENT
TEXAS A&M UNIVERSITY
PROJECT
MASTER CAMPUS WAYFINDING

PROJECT MGR **DESIGNER**

PROJECT #: 20-0136

SHEET DETAILS

ST 3.1
Pedestrian Campus Map

DATE: 08/05/2020
SCALE: AS NOTED

FINISH AND MATERIAL SCHEDULE

- P1** Powder-coat
TG3870061 GRAY
- P2** Powder-coat
SW2716 Maroon
- V1** Oracal 751-010
White

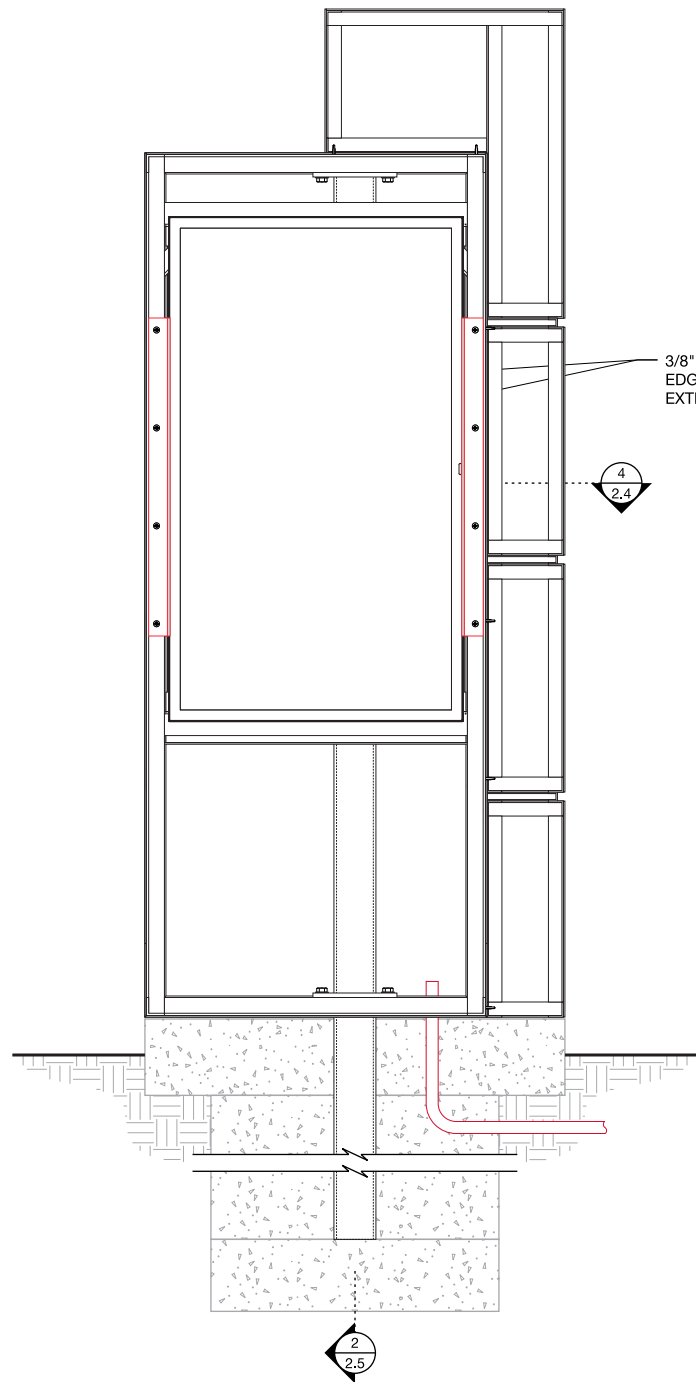
ISSUE

#	DATE	DESCRIPTION
00	08/21/2020	FOR CONSTRUCTION

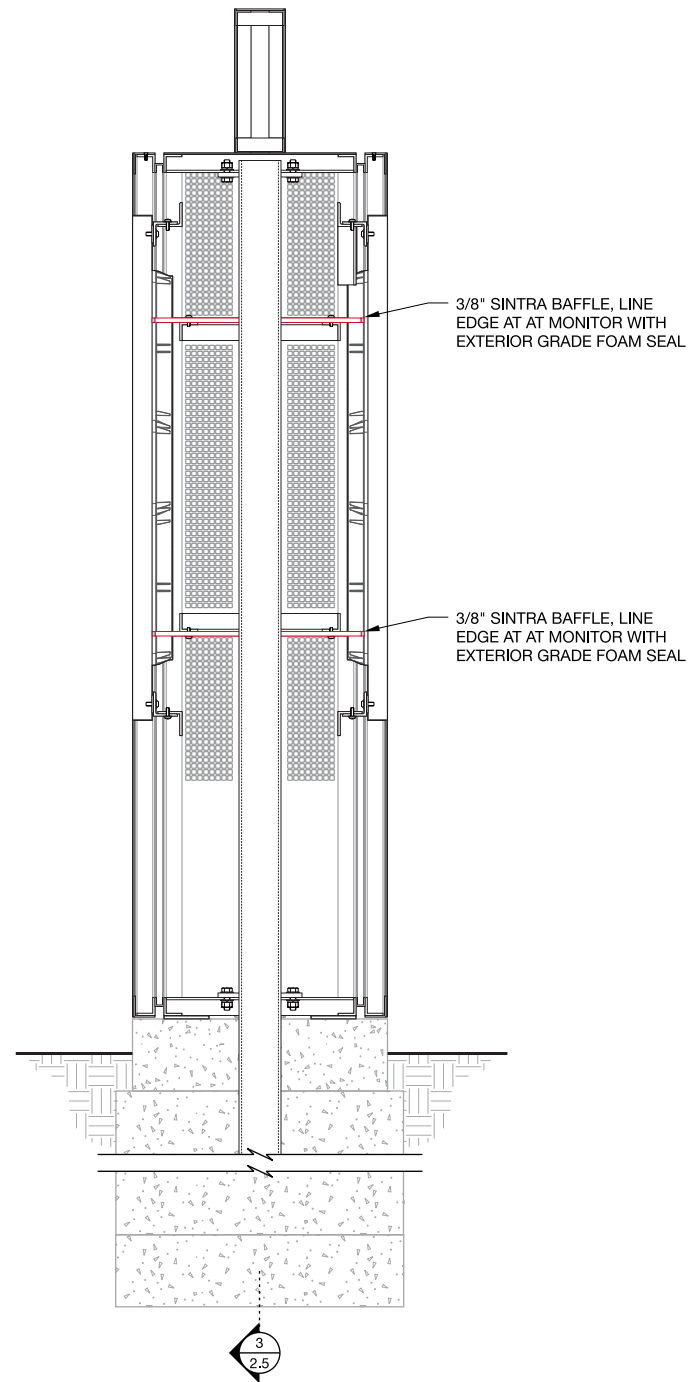
SHEET DESIGNATION

E-3.1-02.5

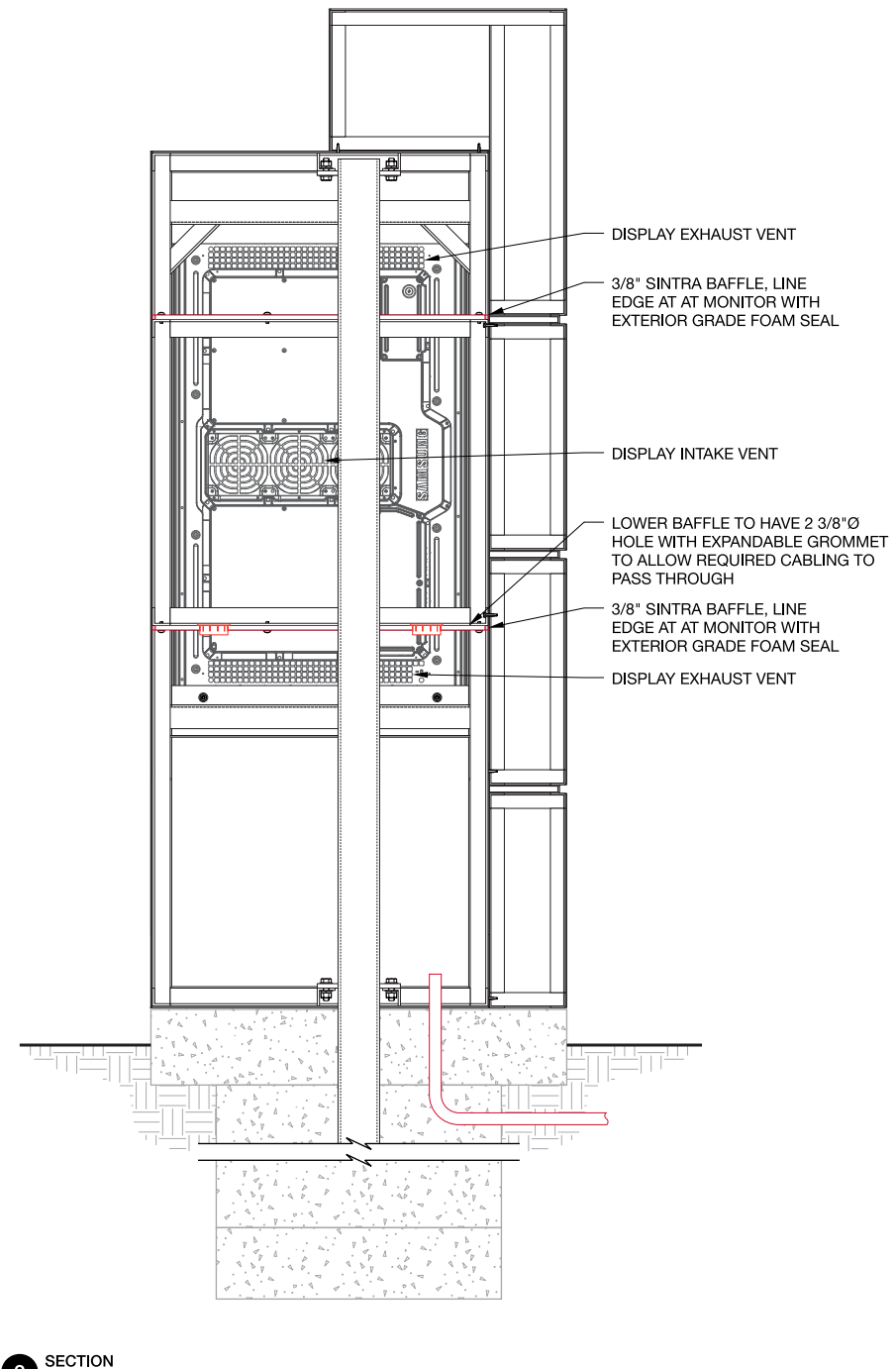
RUNNING SHEET NUMBER 42



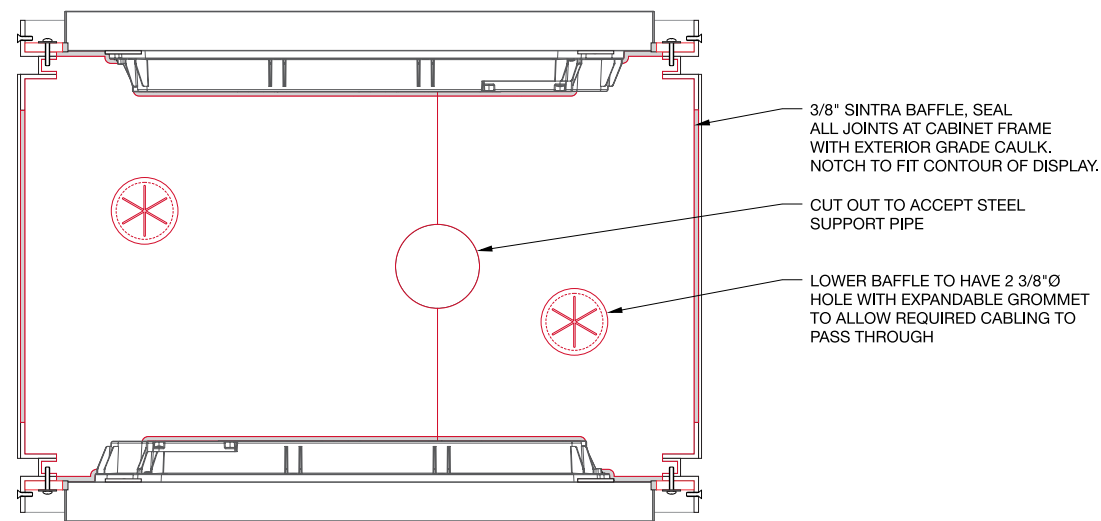
1 ELEVATION - SIDE A WITHOUT PAN COVER
SCALE: 3/4"=1'



2 SECTION
SCALE: 3/4"=1'



3 SECTION
SCALE: 3/4"=1'



4 SECTION
SCALE: 1 1/2"=1'

PROJECT INFORMATION

CLIENT
TEXAS A&M UNIVERSITY

PROJECT
MASTER CAMPUS WAYFINDING

PROJECT MGR **DESIGNER**

PROJECT #: 20-0136

SHEET DETAILS

ST 3.1
Pedestrian Campus Map

DATE: 08/05/2020
SCALE: AS NOTED

FINISH AND MATERIAL SCHEDULE

P1	Powder-coat TG3870061 GRAY
P2	Powder-coat SW2716 Maroon
V1	Oracal 751-010 White

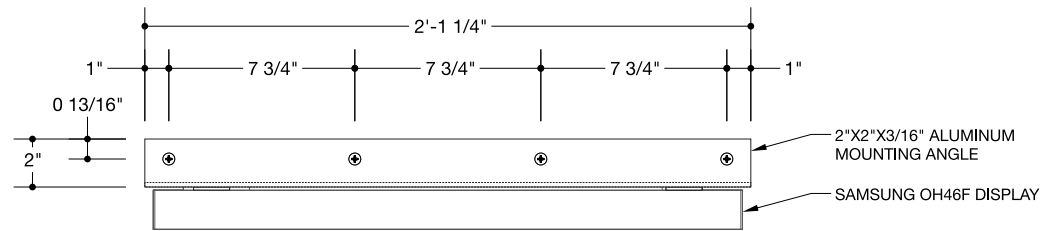
ISSUE

#	DATE	DESCRIPTION
00	08/21/2020	FOR CONSTRUCTION

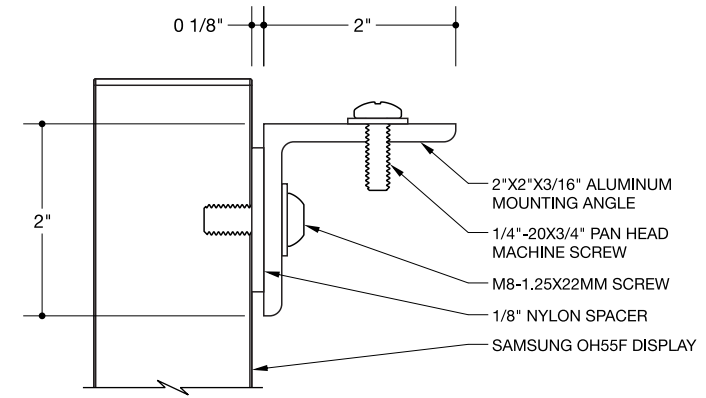
SHEET DESIGNATION

E-3.1-02.6

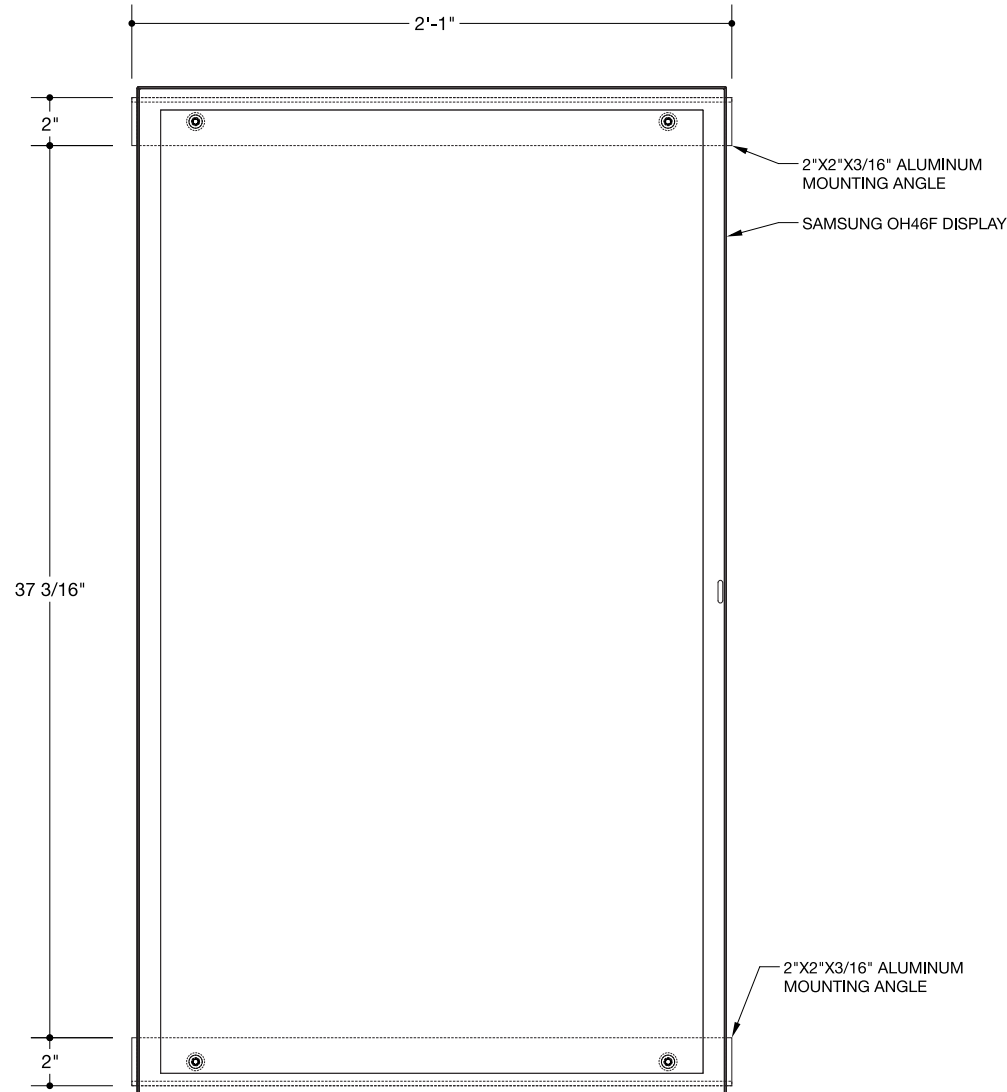
RUNNING SHEET NUMBER 43



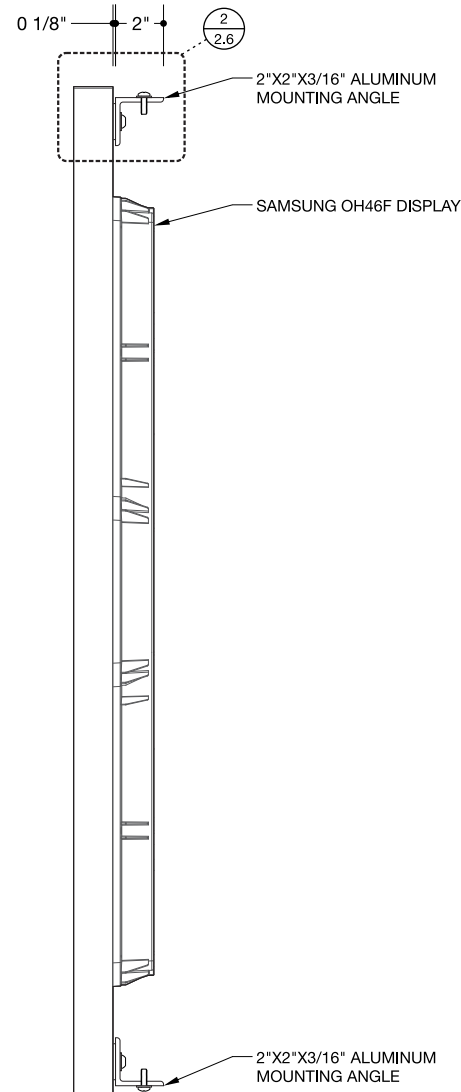
1 PLAN - DISPLAY MOUNTING BRACKET
SCALE: 1 1/2"=1'



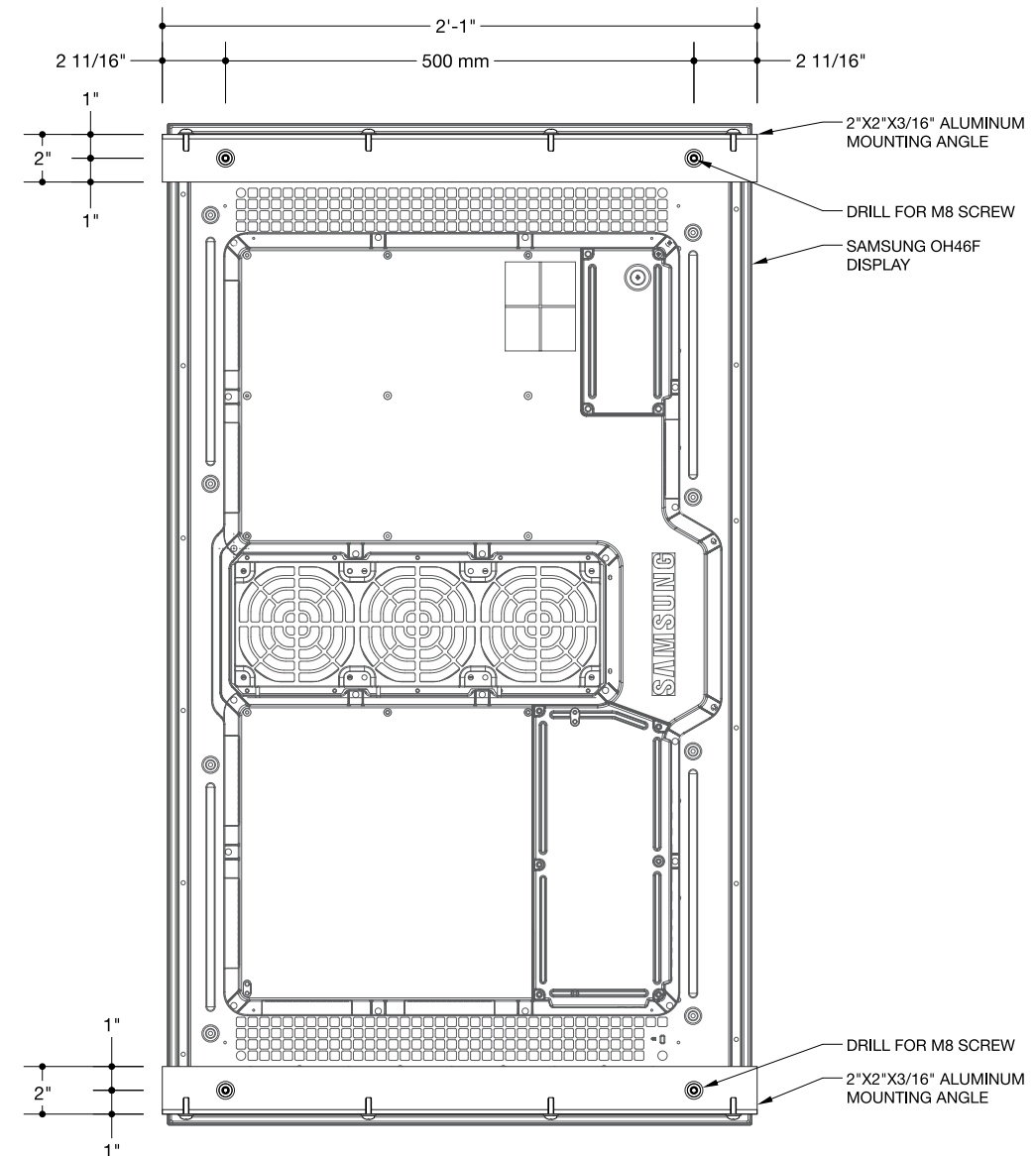
2 DETAIL - DISPLAY MOUNTING BRACKET
SCALE: 6"=1'



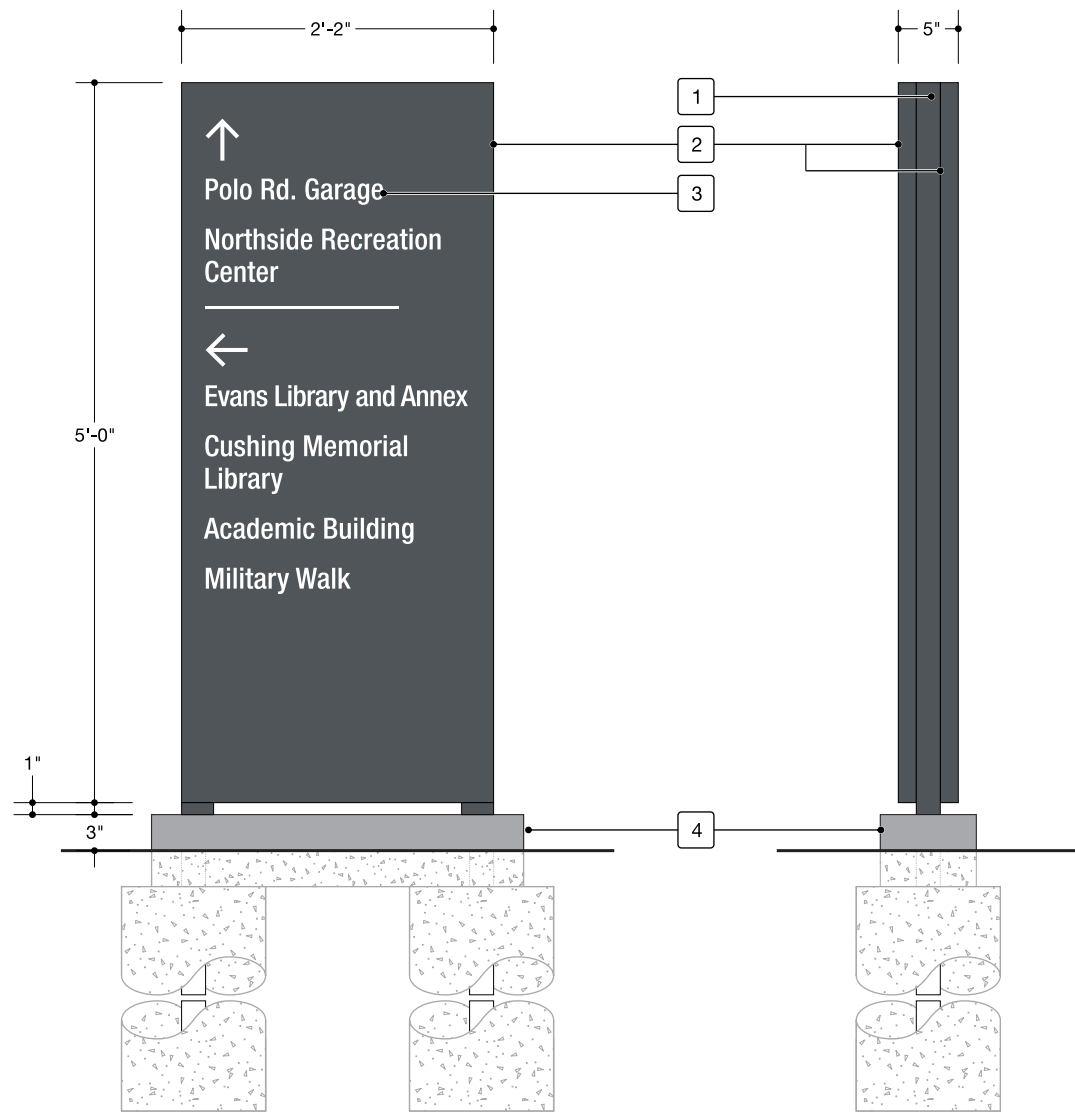
3 ELEVATION - DISPLAY MOUNTING BRACKET
SCALE: 1 1/2"=1'



4 PROFILE - DISPLAY MOUNTING BRACKET
SCALE: 1 1/2"=1'

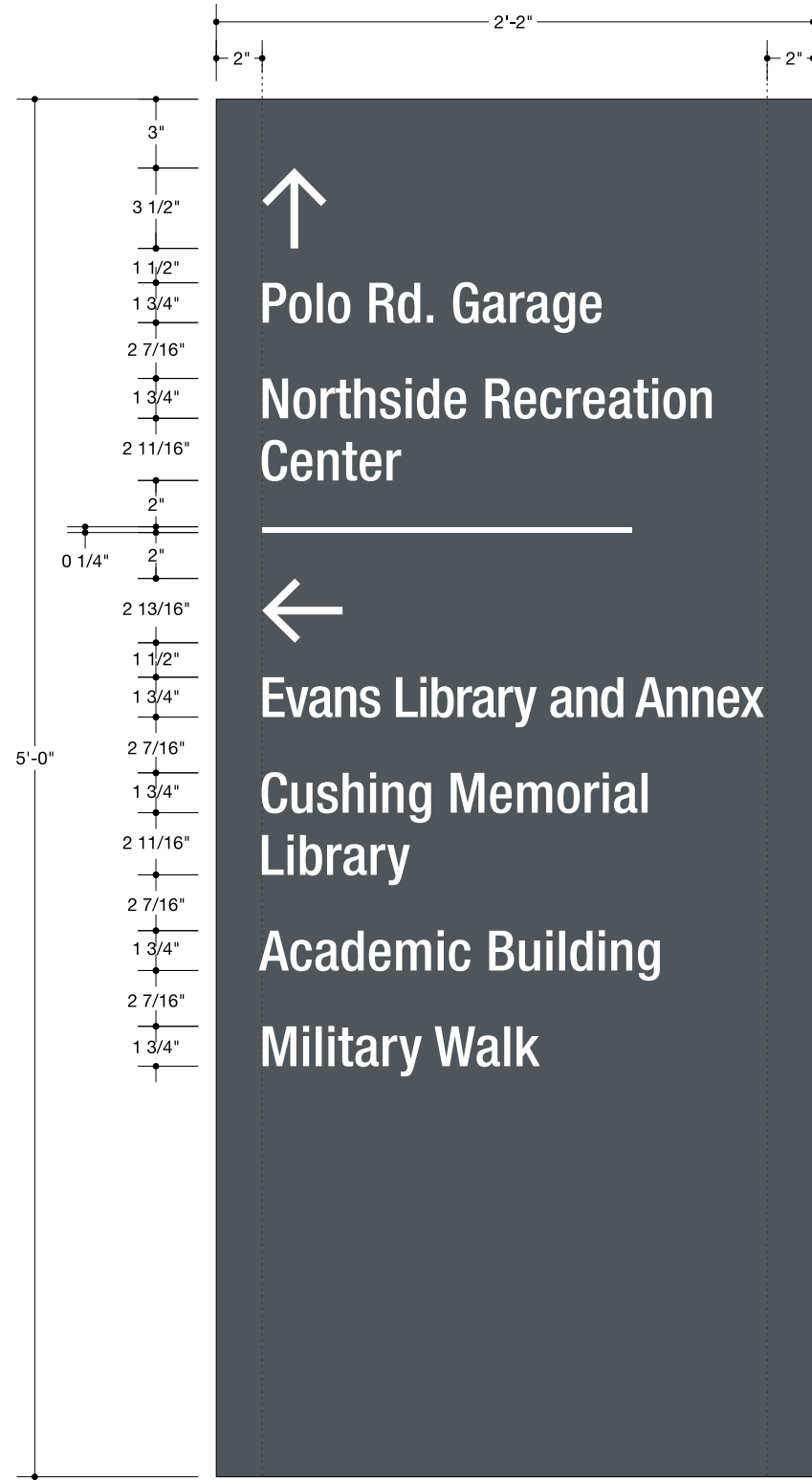


5 ELEVATION FROM BACK - DISPLAY MOUNTING BRACKET
SCALE: 1 1/2"=1'

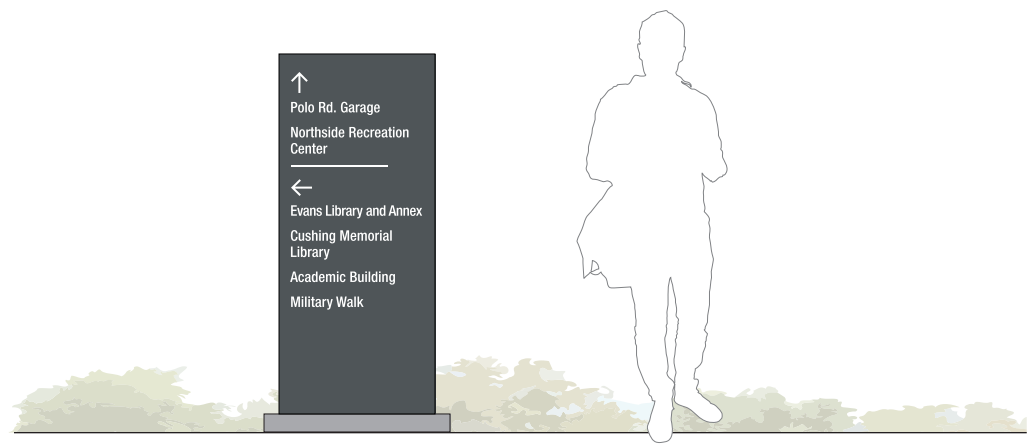


1 ELEVATION - SIDE A
SCALE: 3/4"=1'

2 PROFILE
SCALE: 3/4"=1'



3 MESSAGE PANEL DETAILS
SCALE: 1 1/2"=1'



4 ELEVATION - SIDE B
SCALE: 3/8"=1'

DETAILS

1. Fabricated aluminum square tube frame, powder-coat all visible surfaces TG3870061 Gray.
2. Fabricated aluminum angle pan with 1/8" aluminum paneling powder-coat all visible surfaces TG3870061 Gray. . Fabricated pan secures to primary cabinet with counter sunk #10-24 flat head machine screws and is removable.
3. Contour-cut vinyl pictogram and copy, Oracal 751-010 White
Typeface: Helvetica Neue LT Std Medium Condensed, Helvetica Neue LT Std Light Condensed
4. 6" Concrete pad and pier foundation, 2500 PSI concrete minimum.

NOTES

1. Sign frame is direct bury.
2. Messages shown here for representation only. All messaging By Others. Vinyl to be produced By Others.
3. Powder-coat samples must be approved by the Office of the University Architect prior to fabrication of signs. Powder Coat color may require custom blending.



4543 Brittmoore Road
Houston, Texas 77041
281.971.9529
vistexgraphics.com

PROJECT INFORMATION

CLIENT
TEXAS A&M UNIVERSITY
PROJECT
MASTER CAMPUS WAYFINDING
PROJECT MGR **DESIGNER**
PROJECT #: 20-0136

SHEET DETAILS

ST 3.2
Primary Pedestrian Directional

DATE: 08/05/2020
SCALE: AS NOTED

FINISH AND MATERIAL SCHEDULE

P1	Powder-coat TG3870061 GRAY
V1	Oracal 751-010 White

ISSUE

#	DATE	DESCRIPTION
00	08/21/2020	FOR CONSTRUCTION

SHEET DESIGNATION

E-3.2-01.0

RUNNING SHEET NUMBER	44
----------------------	----

PROJECT INFORMATION

CLIENT
TEXAS A&M UNIVERSITY
PROJECT
MASTER CAMPUS WAYFINDING

PROJECT MGR **DESIGNER**

PROJECT #: 20-0136

SHEET DETAILS

ST 3.2
Primary Pedestrian Directional

DATE: 08/05/2020
SCALE: AS NOTED

FINISH AND MATERIAL SCHEDULE

P1	Powder-coat TG3870061 GRAY
V1	Oracal 751-010 White

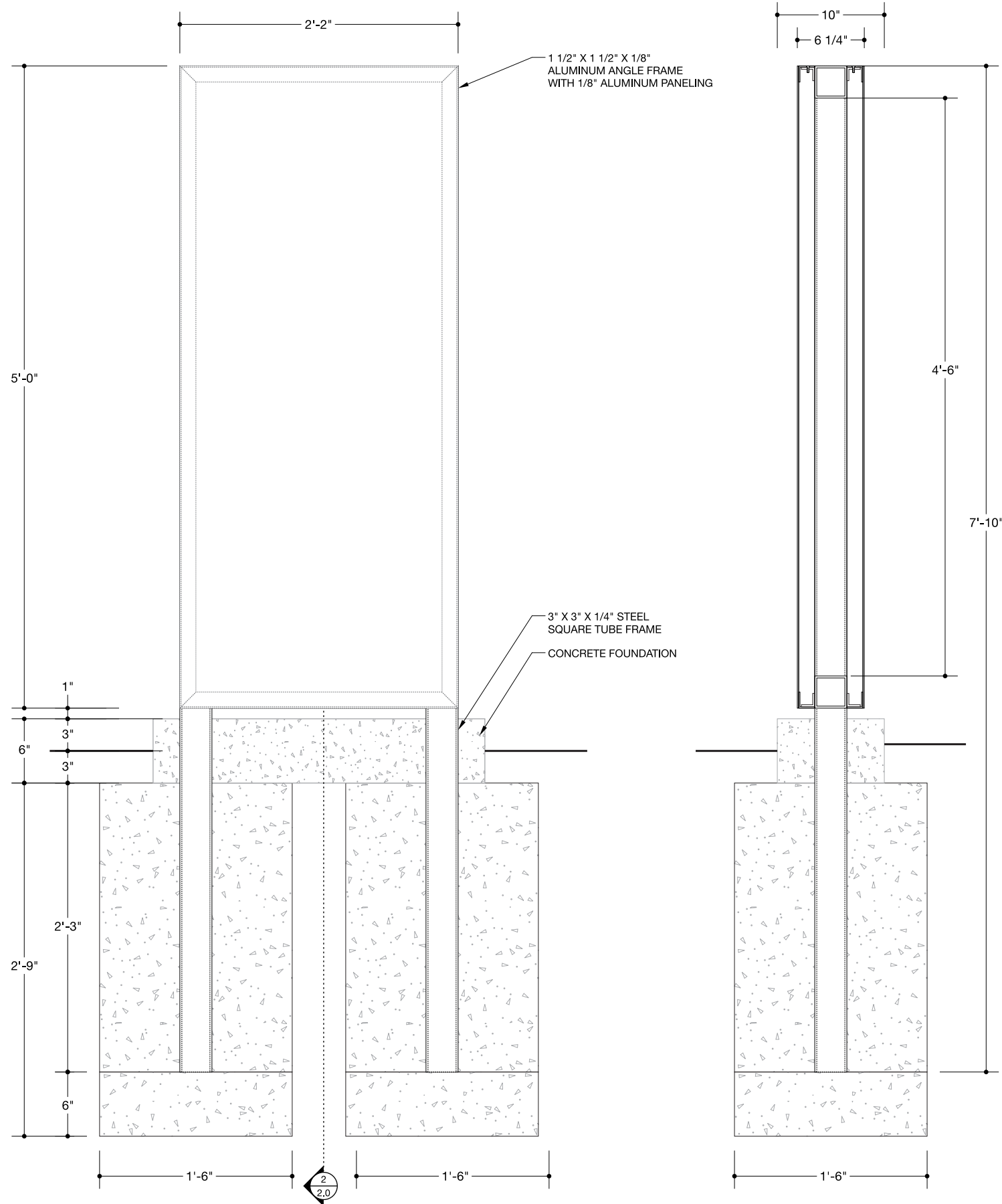
ISSUE

#	DATE	DESCRIPTION
00	08/21/2020	FOR CONSTRUCTION

SHEET DESIGNATION

E-3.2-02.0

RUNNING SHEET NUMBER 45



3 SECTION ENLARGEMENT
SCALE: 3"=1'

1 ELEVATION - SIDE A
SCALE: 1"=1'

2 SECTION
SCALE: 1"=1'

PROJECT INFORMATION

CLIENT
TEXAS A&M UNIVERSITY

PROJECT
MASTER CAMPUS WAYFINDING

PROJECT MGR **DESIGNER**

PROJECT #: 20-0136

SHEET DETAILS

ST 3.2
Primary Pedestrian Directional

DATE: 08/05/2020
SCALE: AS NOTED

FINISH AND MATERIAL SCHEDULE

P1	Powder-coat TG3870061 GRAY
V1	Oracal 751-010 White

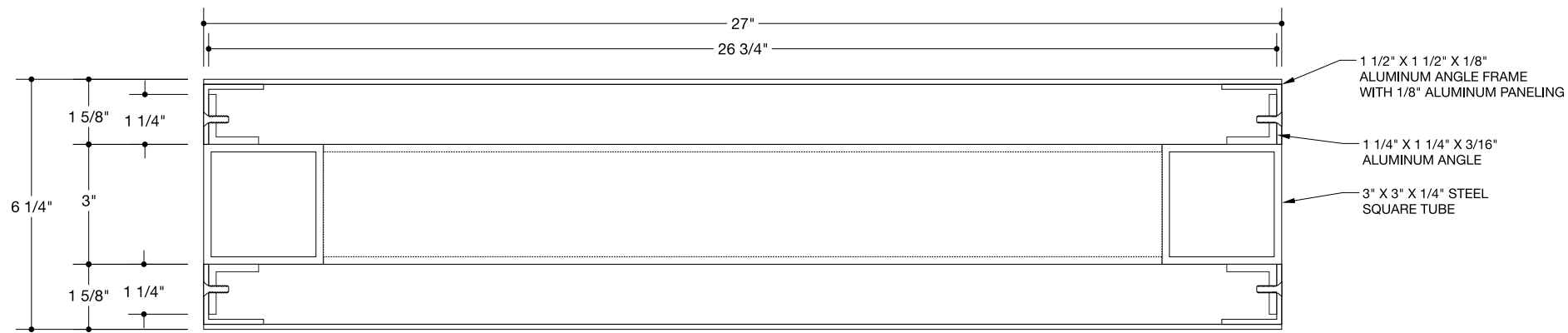
ISSUE

#	DATE	DESCRIPTION
00	08/21/2020	FOR CONSTRUCTION

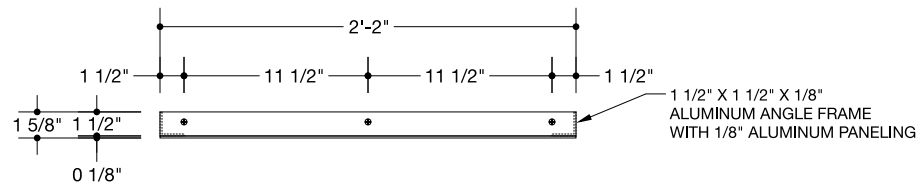
SHEET DESIGNATION

E-3.2-02.1

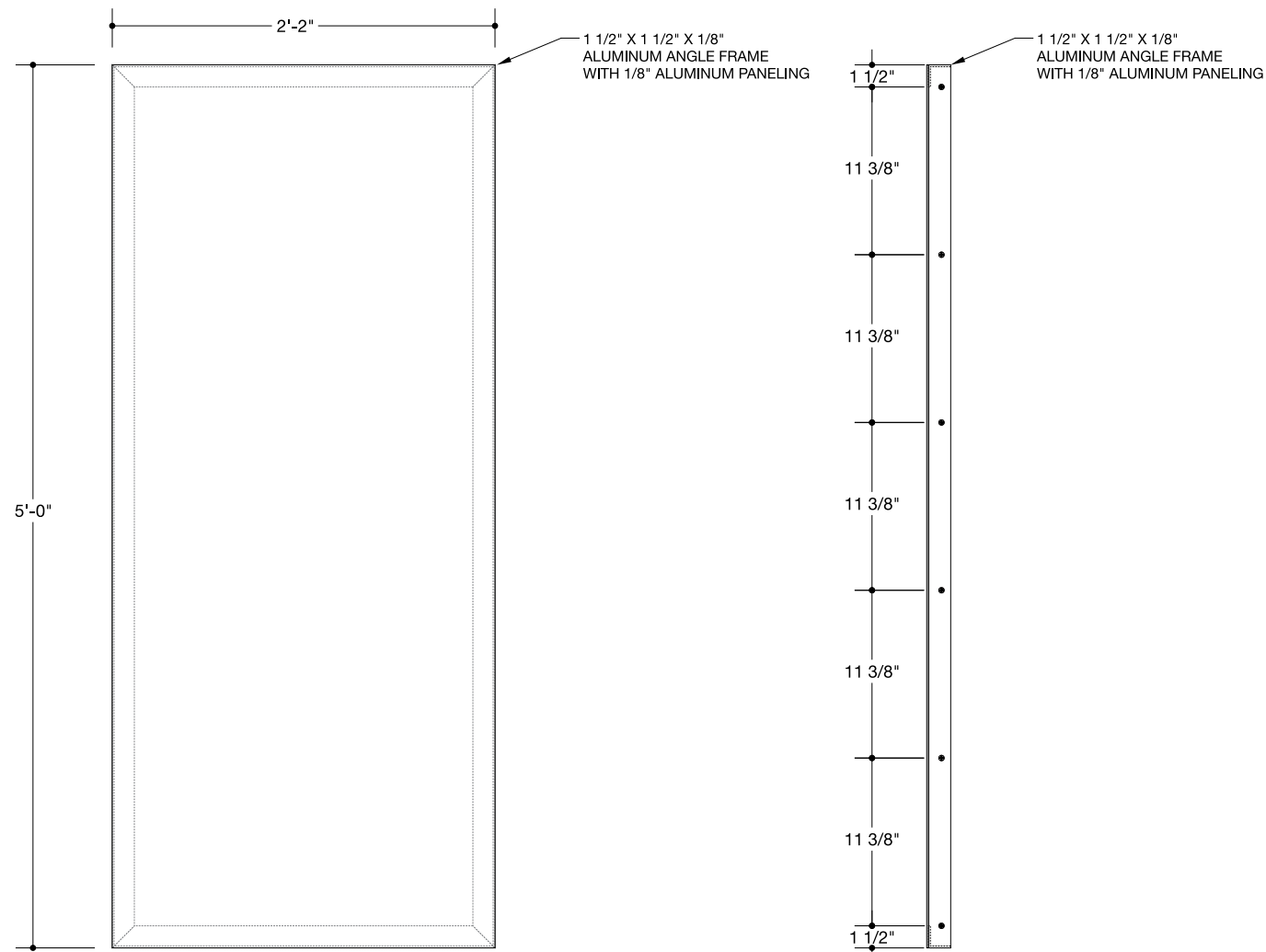
RUNNING SHEET NUMBER 46



1 SECTION
SCALE: 3"=1'

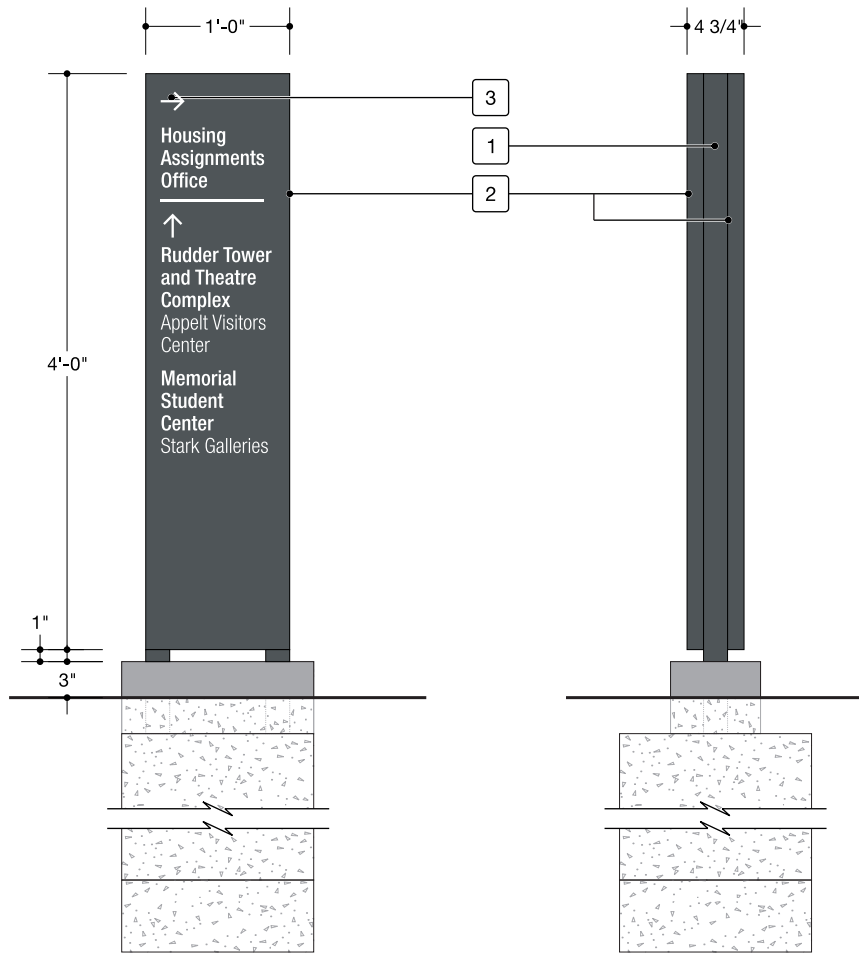


2 ELEVATION - FABRICATED PAN
SCALE: 1"=1'



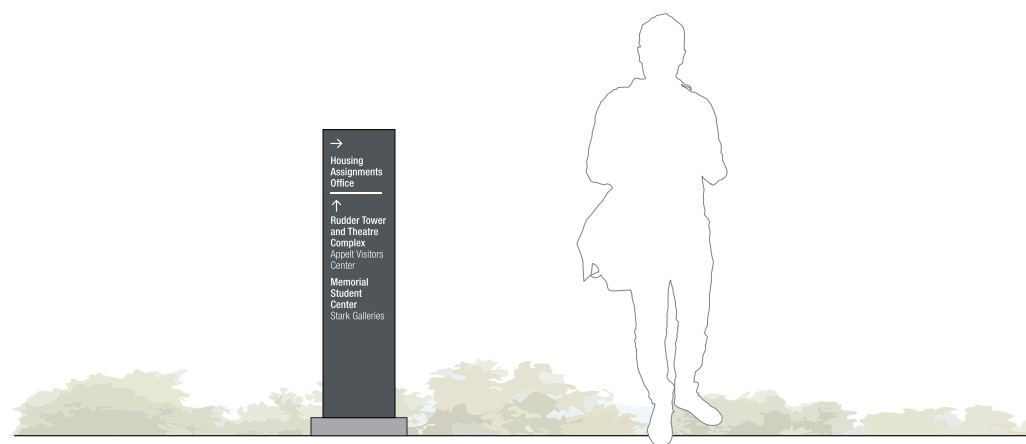
3 ELEVATION - FABRICATED PAN
SCALE: 1"=1'

4 PROFILE - FABRICATED PAN
SCALE: 1"=1'

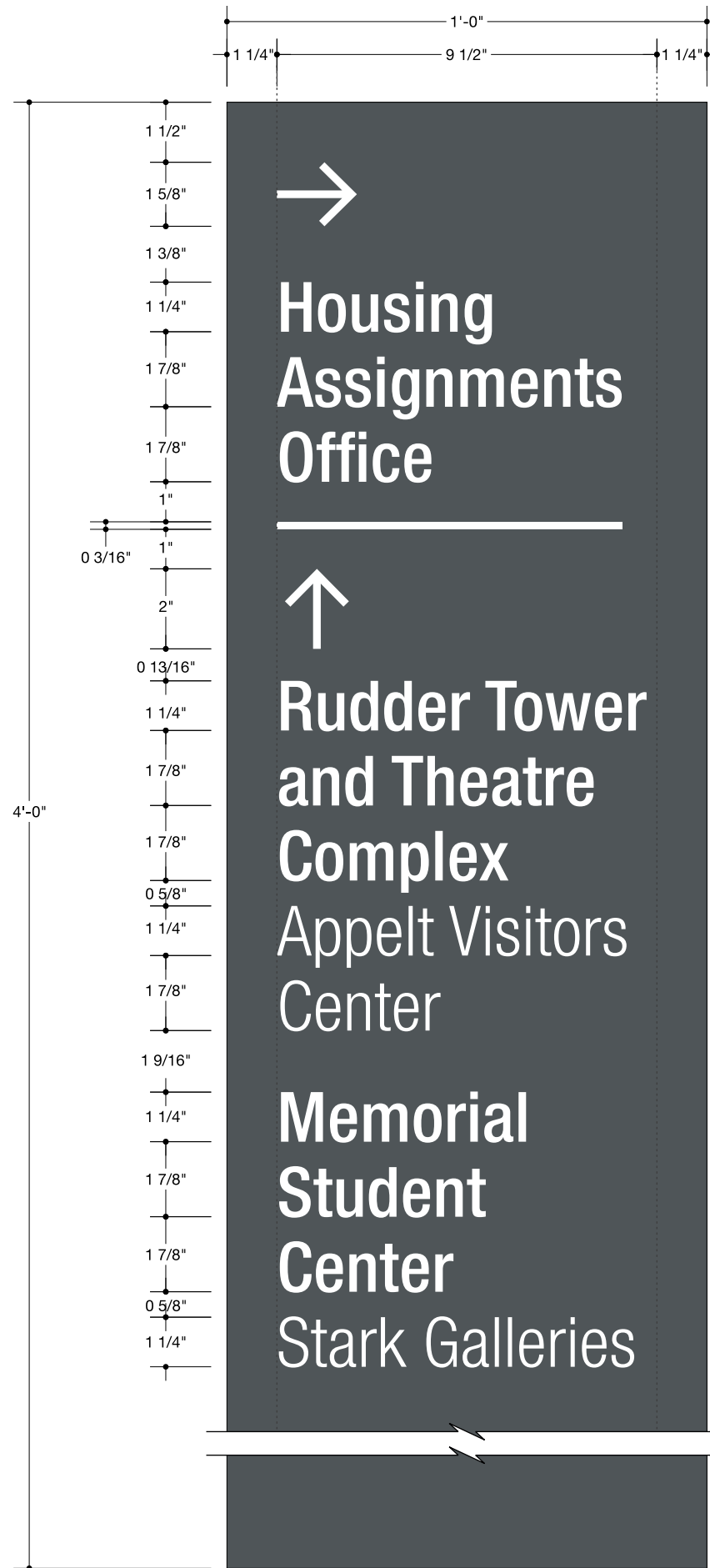


1 ELEVATION - SIDE A
SCALE: 3/4"=1'

2 PROFILE
SCALE: 3/4"=1'



4 ELEVATION - SIDE B
SCALE: 3/8"=1'



3 MESSAGE PANEL DETAILS
SCALE: 3"=1'

- DETAILS**
1. Fabricated aluminum square tube frame, powder-coat all visible surfaces TG3870061 Gray.
 2. Fabricated aluminum angle pan with 1/8" aluminum paneling powder-coat all visible surfaces TG3870061 Gray. . Fabricated pan secures to primary cabinet with counter sunk #10-24 flat head machine screws and is removable.
 3. Contour-cut vinyl pictogram and copy, Oracal 751-010 White
Typeface: Helvetica Neue LT Std Medium Condensed, Helvetica Neue LT Std Light Condensed
 4. 6" Concrete pad and pier foundation, 2500 PSI concrete minimum.

- NOTES**
1. Sign frame is direct bury.
 2. Messages shown here for representation only. All messaging By Others. Vinyl to be produced By Others.
 3. Powder-coat samples must be approved by the Office of the University Architect prior to fabrication of signs. Powder Coat color may require custom blending.

VISTEX GRAPHICS
4543 Brittmoore Road
Houston, Texas 77041
281.971.9529
vistexgraphics.com

PROJECT INFORMATION

CLIENT
TEXAS A&M UNIVERSITY

PROJECT
MASTER CAMPUS WAYFINDING

PROJECT MGR **DESIGNER**

PROJECT #: 20-0136

SHEET DETAILS

ST 3.3
Secondary Pedestrian Directional

DATE: 08/05/2020
SCALE: AS NOTED

FINISH AND MATERIAL SCHEDULE

P1	Powder-coat TG3870061 GRAY
V1	Oracal 751-010 White

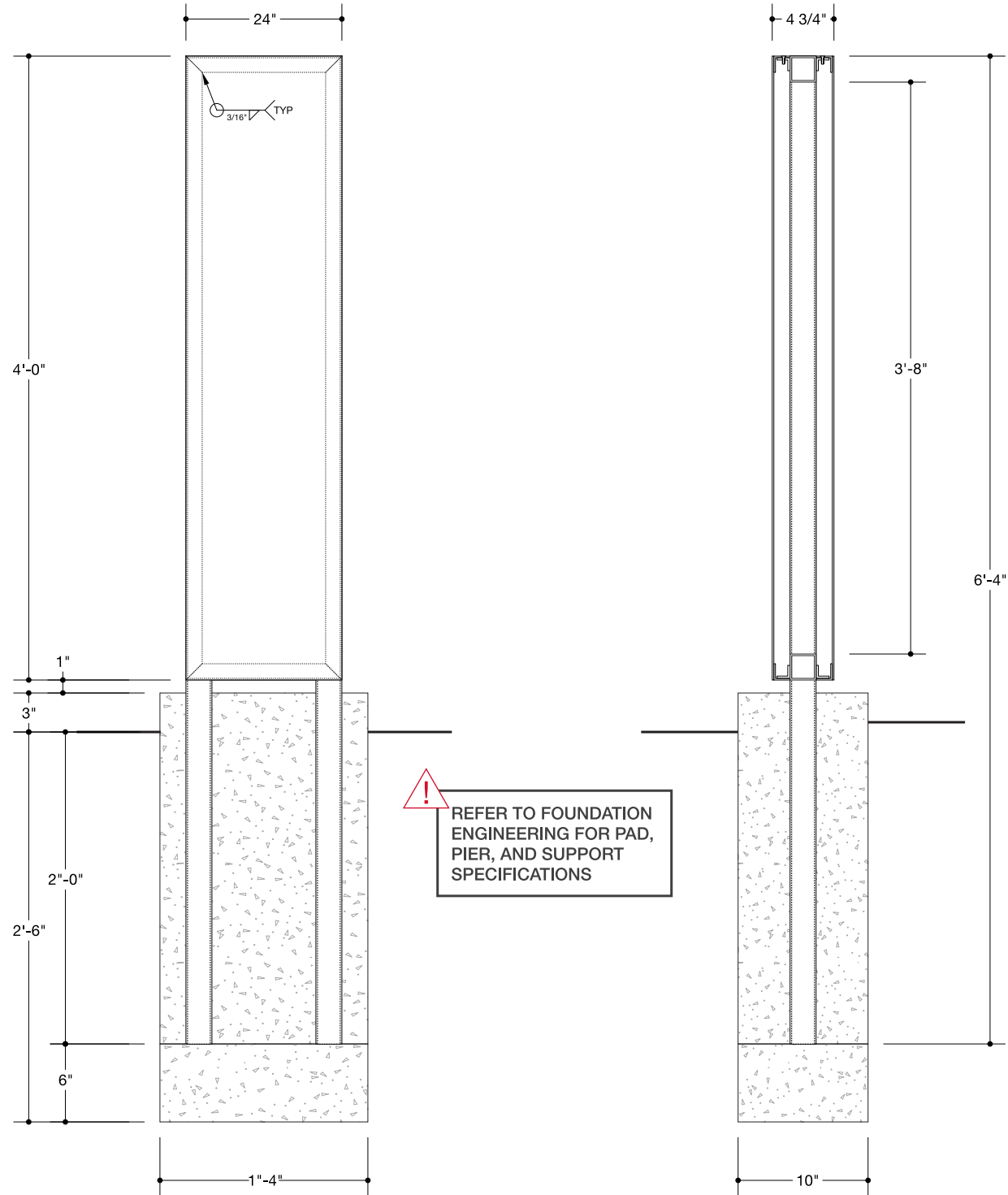
ISSUE

#	DATE	DESCRIPTION
00	08/21/2020	FOR CONSTRUCTION

SHEET DESIGNATION

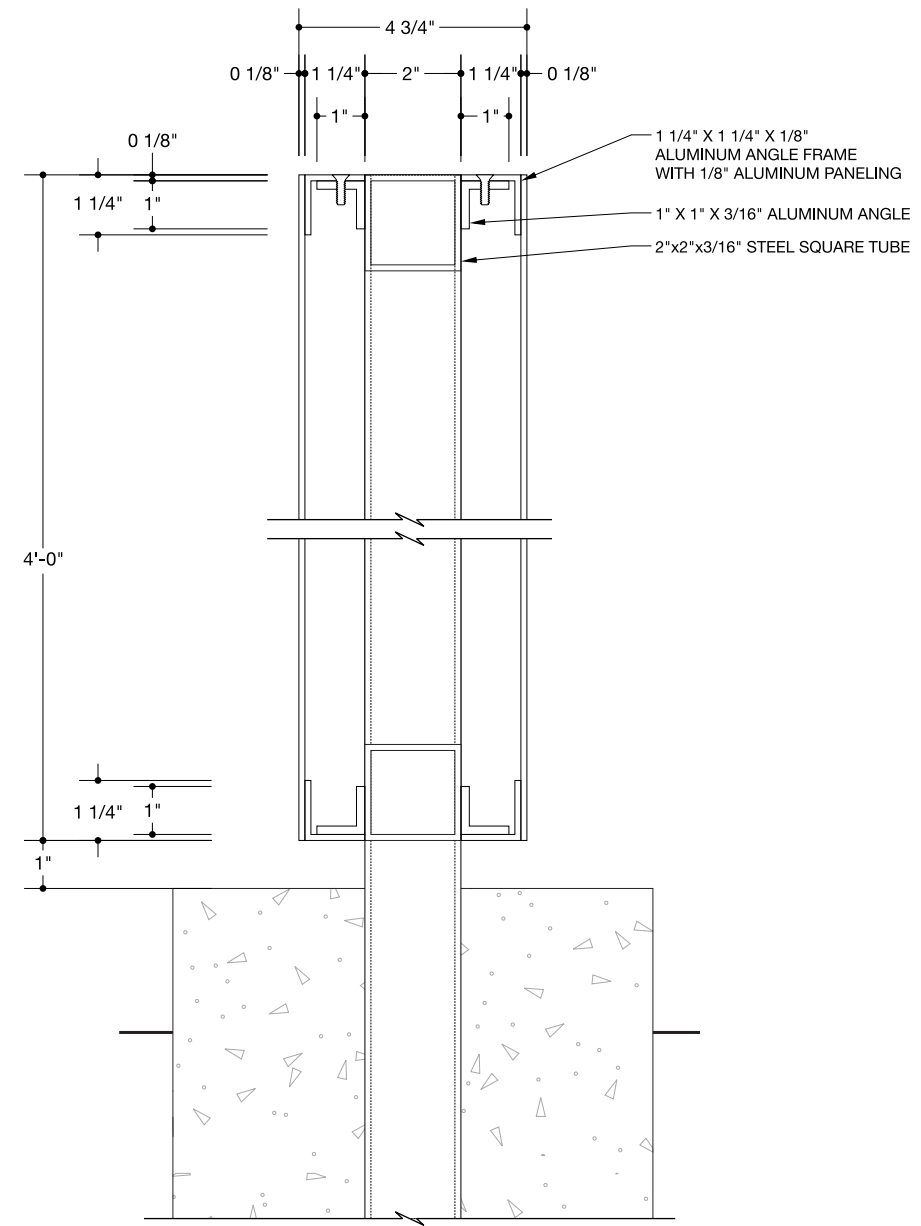
E-3.3-01.0

RUNNING SHEET NUMBER 47



1 ELEVATION
SCALE: 1"=1'

2 SECTION
SCALE: 1"=1'



3 SECTION ENLARGEMENT
SCALE: 3"=1'

PROJECT INFORMATION

CLIENT
TEXAS A&M UNIVERSITY
PROJECT
MASTER CAMPUS WAYFINDING

PROJECT MGR **DESIGNER**

PROJECT #: 20-0136

SHEET DETAILS

ST 3.3
Secondary Pedestrian Directional

DATE: 08/05/2020
SCALE: AS NOTED

FINISH AND MATERIAL SCHEDULE

- P1** Powder-coat
TG3870061 GRAY
- V1** Oracal 751-010
White

ISSUE

#	DATE	DESCRIPTION
00	08/21/2020	FOR CONSTRUCTION

SHEET DESIGNATION

E-3.3-02.0

RUNNING SHEET NUMBER 48

PROJECT INFORMATION

CLIENT
TEXAS A&M UNIVERSITY

PROJECT
MASTER CAMPUS WAYFINDING

PROJECT MGR **DESIGNER**

PROJECT #: 20-0136

SHEET DETAILS

ST 3.3
Secondary Pedestrian Directional

DATE: 08/05/2020
SCALE: AS NOTED

FINISH AND MATERIAL SCHEDULE

P1	Powder-coat TG3870061 GRAY
V1	Oracal 751-010 White

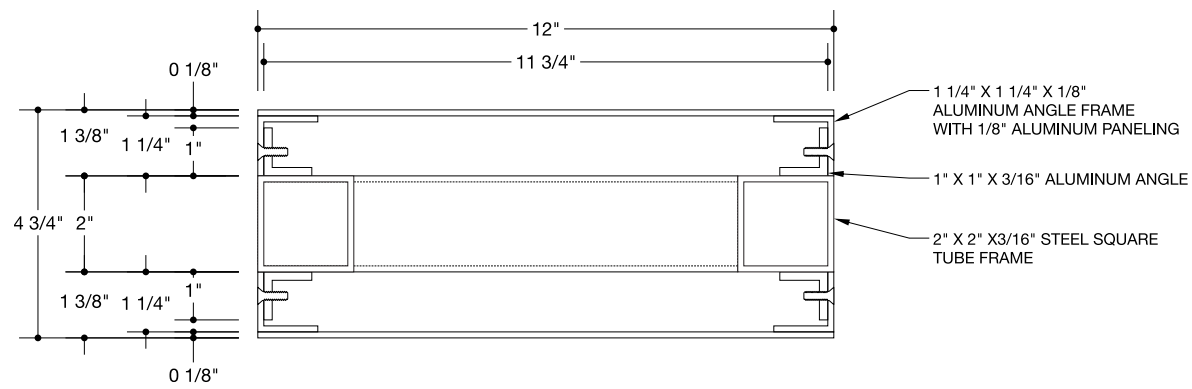
ISSUE

#	DATE	DESCRIPTION
00	08/21/2020	FOR CONSTRUCTION

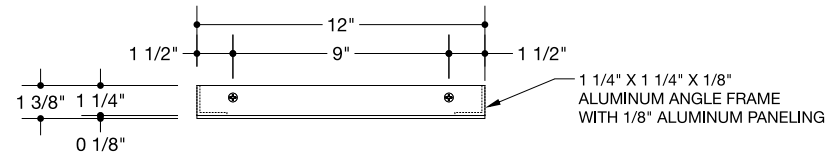
SHEET DESIGNATION

E-3.3-02.1

RUNNING SHEET NUMBER 49



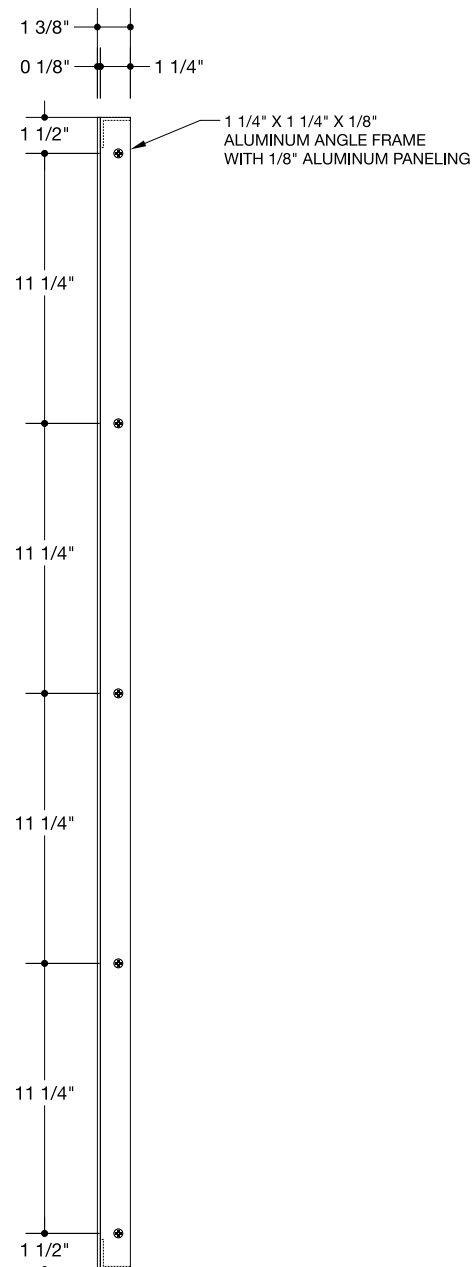
1 SECTION
SCALE: 3"=1'



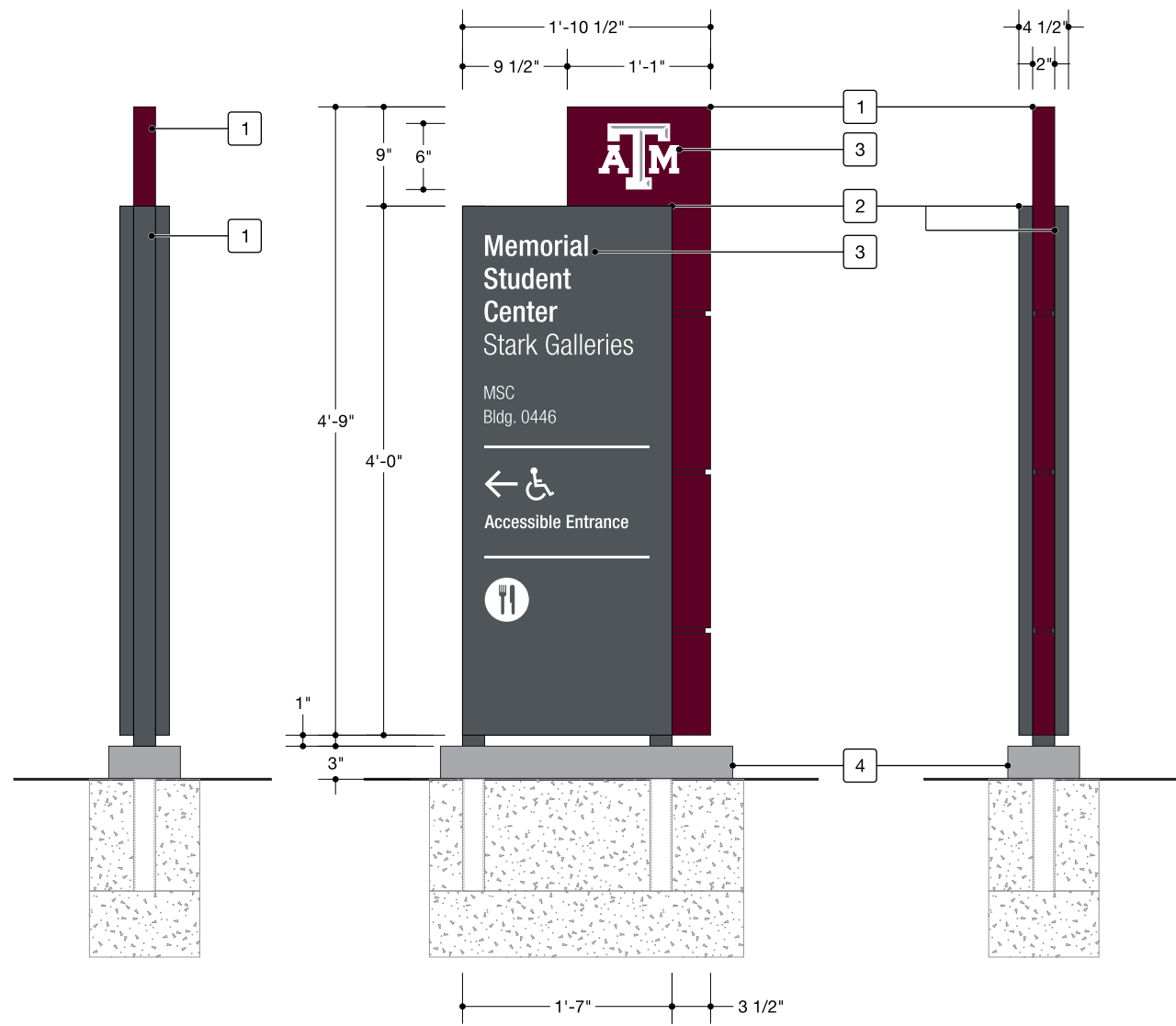
2 PLAN - FABRICATED PAN
SCALE: 1 1/2"=1'



3 ELEVATION - FABRICATED PAN
SCALE: 1 1/2"=1'



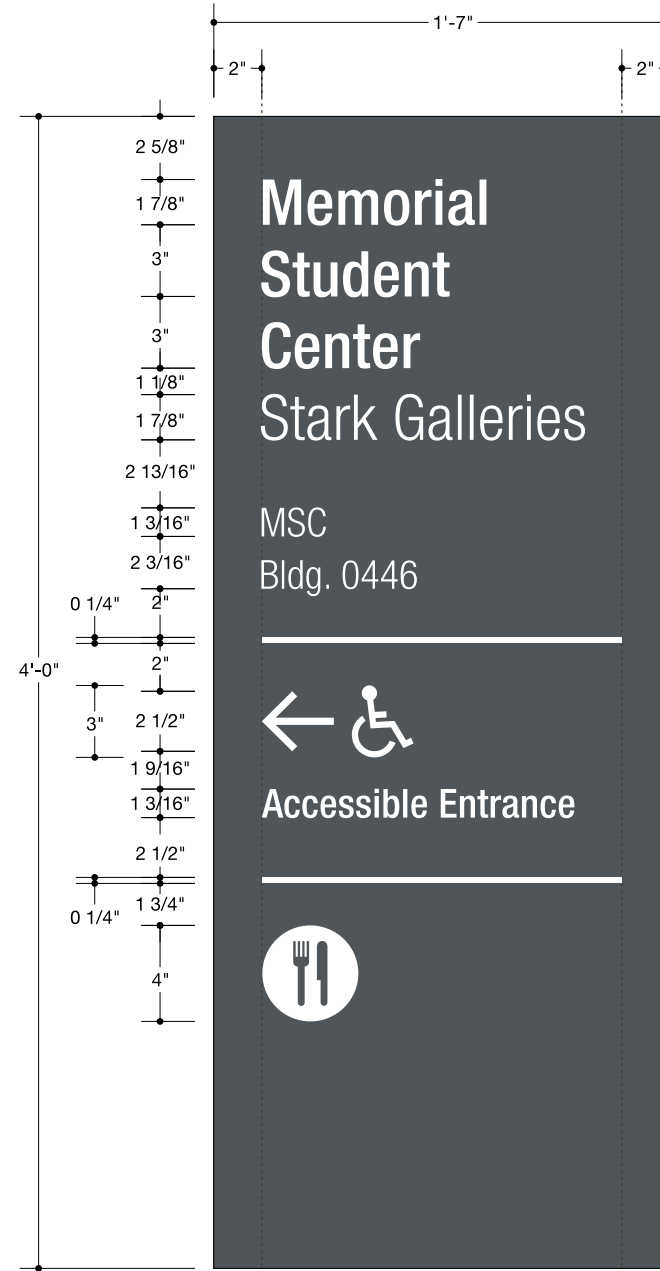
4 PROFILE - FABRICATED PAN
SCALE: 1 1/2"=1'



1 LEFT PROFILE (THOROUGHFARE)
SCALE: 3/4"=1'

2 ELEVATION - SIDE A
SCALE: 3/4"=1'

3 RIGHT PROFILE
SCALE: 3/4"=1'



4 MESSAGE PANEL
SCALE: 1 1/2"=1'



5 ELEVATION - SIDE B
SCALE: 3/8"=1'

DETAILS

1. Fabricated aluminum angle cabinet with 1/8" aluminum paneling. Painted on surfaces to match SW2716 Deep Ruby and MP10269 Dark Slate.
2. Fabricated aluminum angle pan with 1/8" aluminum paneling painted on all surfaces MP10269 Dark Slate. Fabricated pan secures to primary cabinet with counter sunk #10-24 flat head machine screws and is removable.
3. Contour-cut vinyl logo, copy, and symbols, Oracal 5700-010 White Reflective
Typeface: Helvetica Neue LT Std Regular Condensed
4. Concrete pad and pier foundation.

NOTES

1. Sign frame is direct bury.
2. Messages shown here for representation only. All messaging By Others. Vinyl to be produced By Others.



4543 Brittmoore Road
Houston, Texas 77041
281.971.9529
vistexgraphics.com

PROJECT INFORMATION

CLIENT
TEXAS A&M UNIVERSITY

PROJECT
MASTER CAMPUS WAYFINDING

PROJECT MGR **DESIGNER**

PROJECT #: 20-0136

SHEET DETAILS

ST 4.1
Primary Pedestrian Building
Identification

DATE: 08/05/2020
SCALE: AS NOTED

FINISH AND MATERIAL SCHEDULE

P1	Powder-coat TG3870061 GRAY
P2	Powder-coat SW2716 Maroon
V1	Oracal 751-010 White

ISSUE

#	DATE	DESCRIPTION
00	08/21/2020	FOR CONSTRUCTION

SHEET DESIGNATION

E-4.1-01.0

RUNNING SHEET NUMBER 50

PROJECT INFORMATION

CLIENT
TEXAS A&M UNIVERSITY

PROJECT
MASTER CAMPUS WAYFINDING

PROJECT MGR **DESIGNER**

PROJECT #: 20-0136

SHEET DETAILS

ST 4.1
Primary Pedestrian Building
Identification

DATE: 08/05/2020
SCALE: AS NOTED

FINISH AND MATERIAL SCHEDULE

- P1** Powder-coat
TG3870061 GRAY
- P2** Powder-coat
SW2716 Maroon
- V1** Oracal 751-010
White

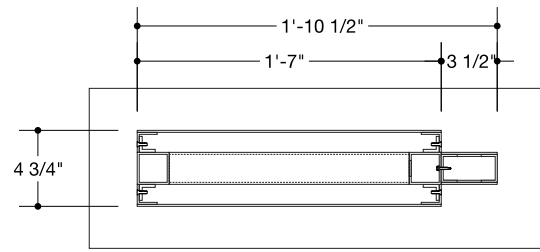
ISSUE

#	DATE	DESCRIPTION
00	08/21/2020	FOR CONSTRUCTION

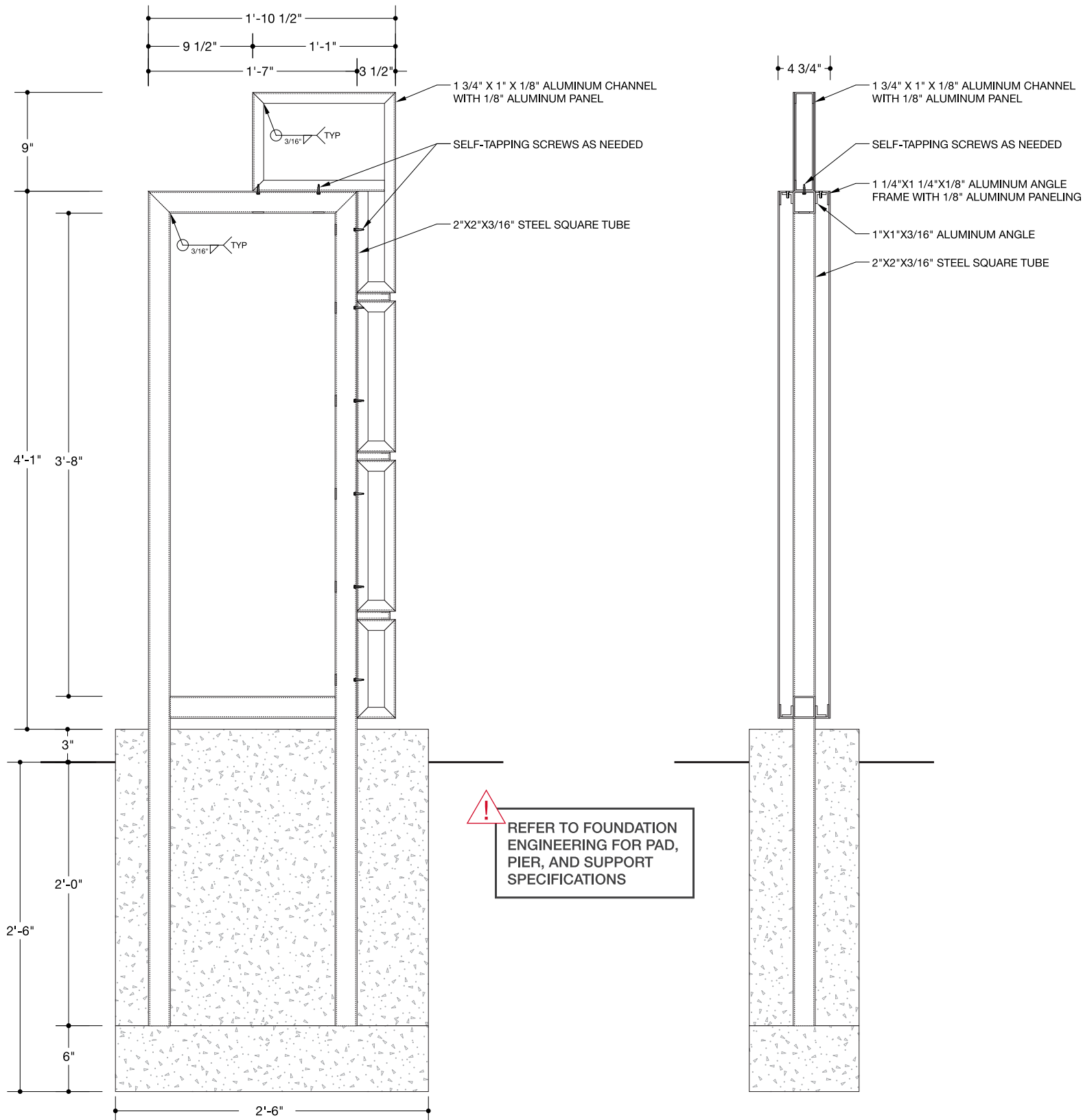
SHEET DESIGNATION

E-4.1-02.0

RUNNING SHEET NUMBER 51

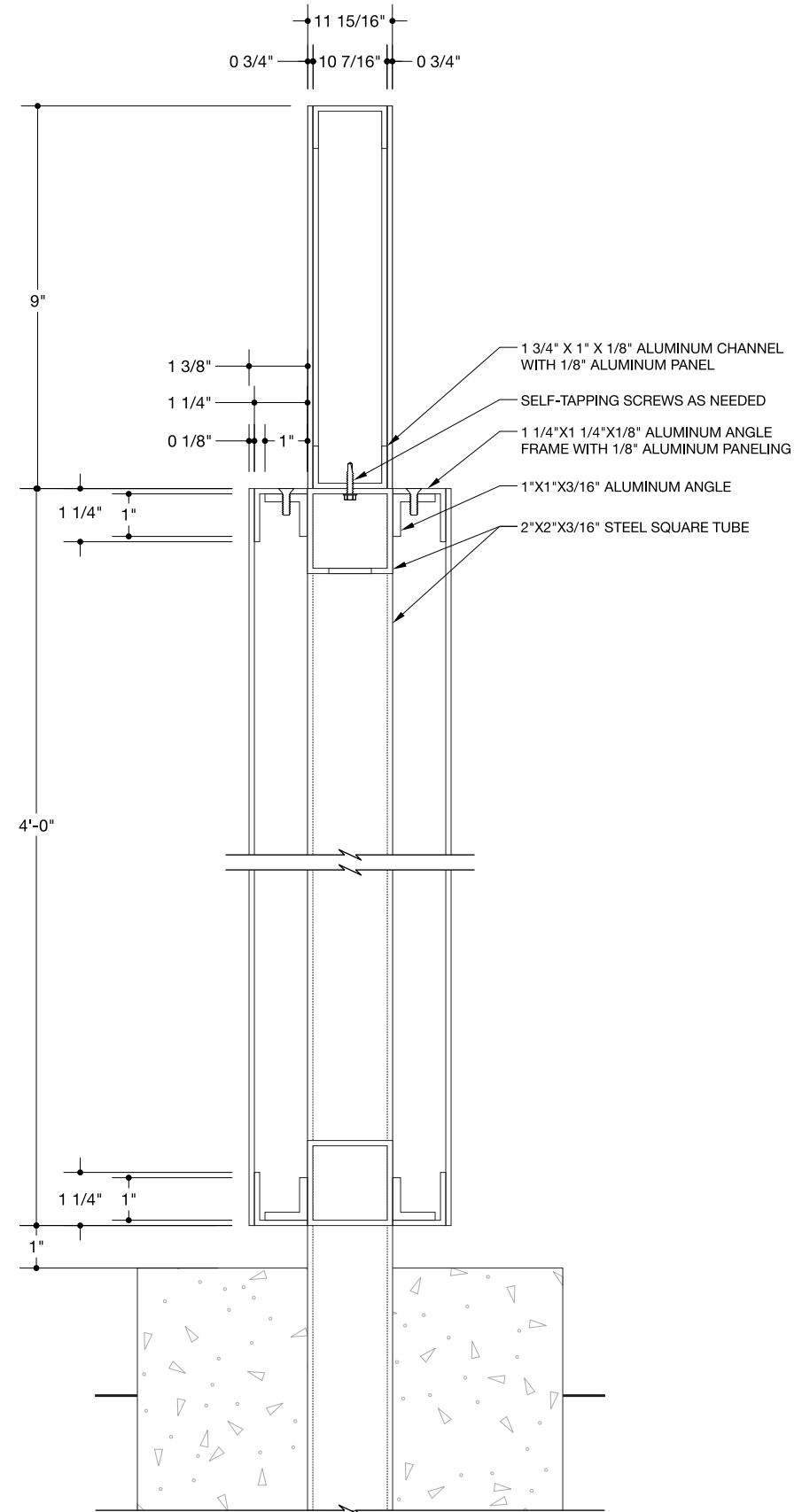


1 LEFT PROFILE (THOROUGHFARE)
SCALE: 3/4"=1'



2 SECTION
SCALE: 1"=1'

3 SECTION
SCALE: 1"=1'



3 SECTION ENLARGEMENT
SCALE: 3"=1'

PROJECT INFORMATION

CLIENT
TEXAS A&M UNIVERSITY
PROJECT
MASTER CAMPUS WAYFINDING

PROJECT MGR **DESIGNER**

PROJECT #: 20-0136

SHEET DETAILS

ST 4.1
Primary Pedestrian Building
Identification

DATE: 08/05/2020
SCALE: AS NOTED

FINISH AND MATERIAL SCHEDULE

P1	Powder-coat TG3870061 GRAY
P2	Powder-coat SW2716 Maroon
V1	Oracal 751-010 White

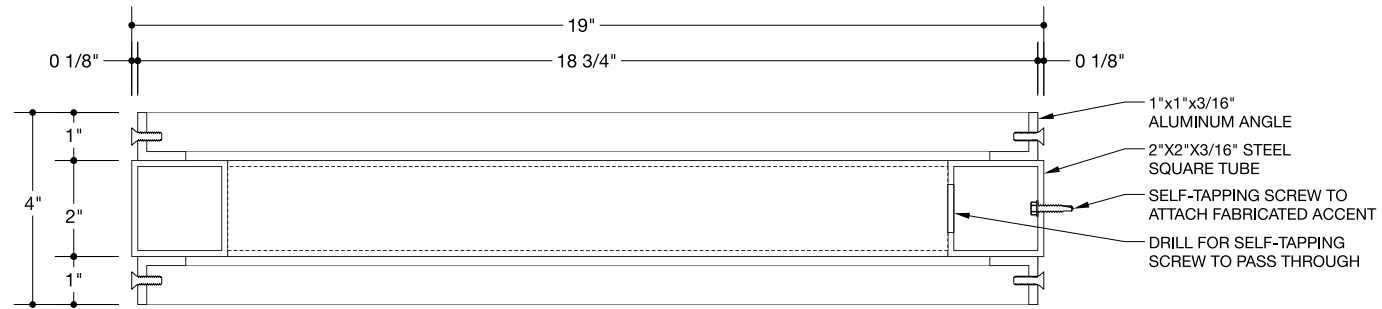
ISSUE

#	DATE	DESCRIPTION
00	08/21/2020	FOR CONSTRUCTION

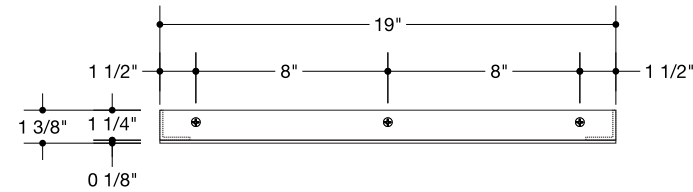
SHEET DESIGNATION

E-4.1-02.1

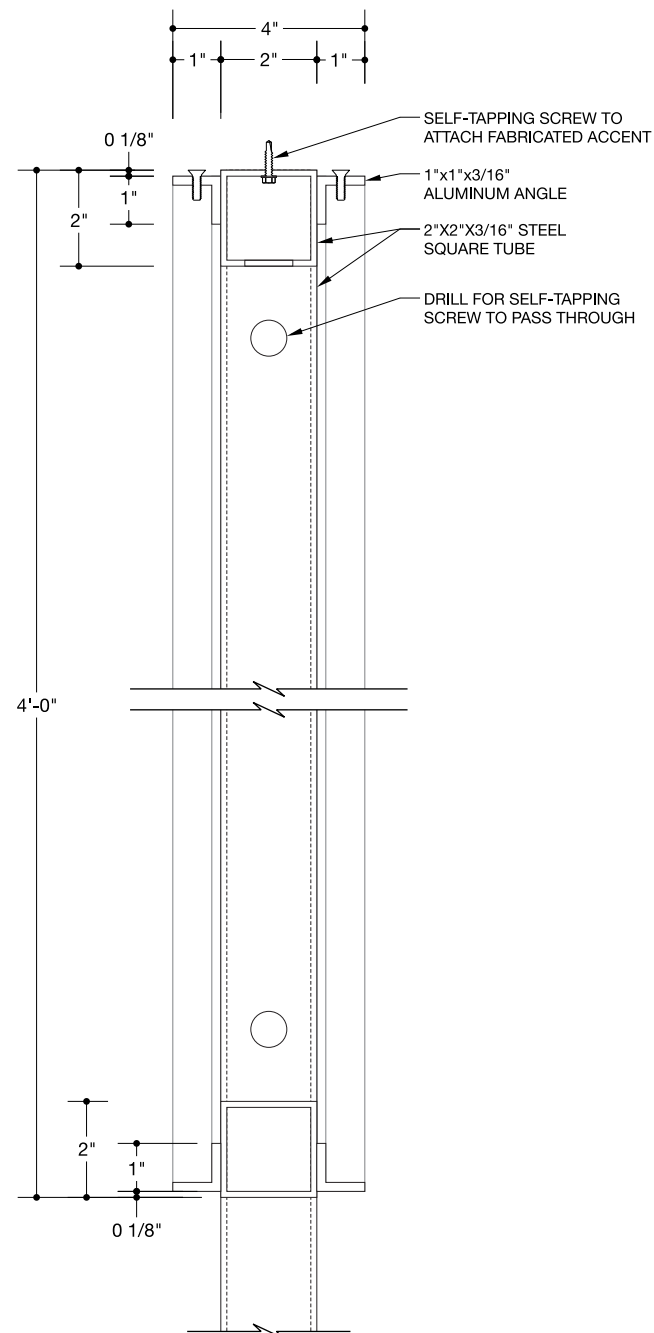
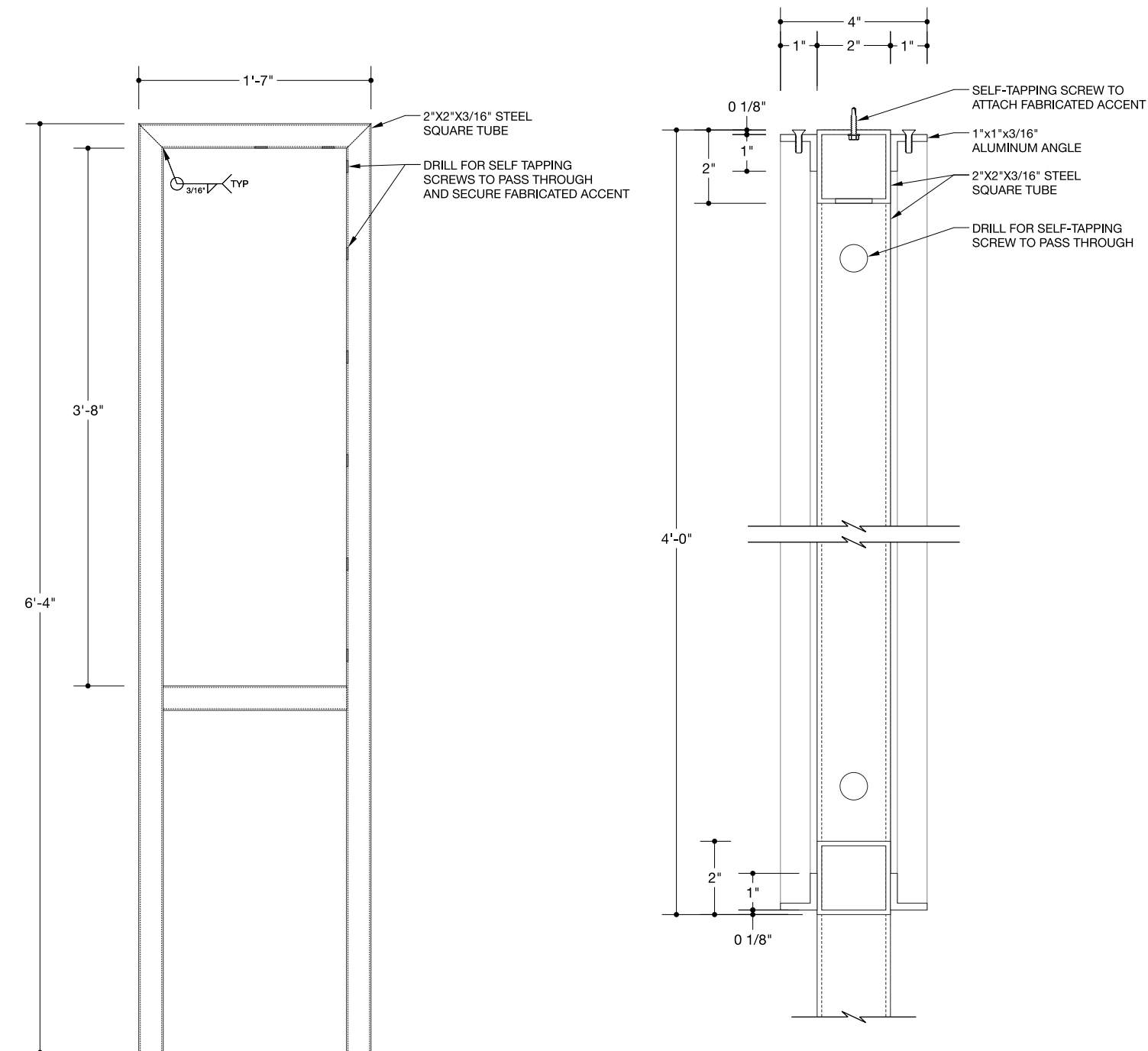
RUNNING SHEET NUMBER 52



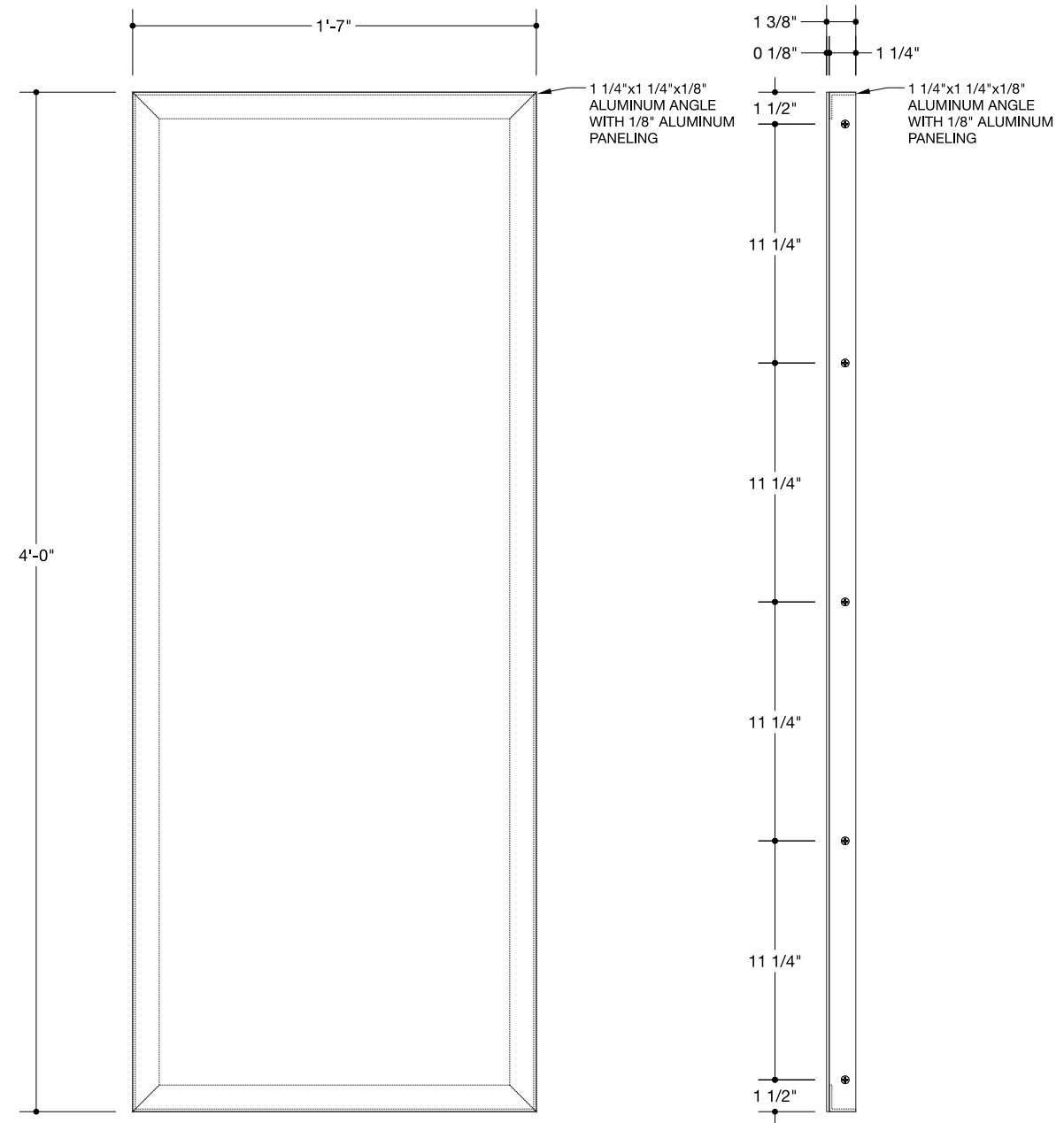
1 SECTION - MAIN CABINET
SCALE: 3/8"=1"



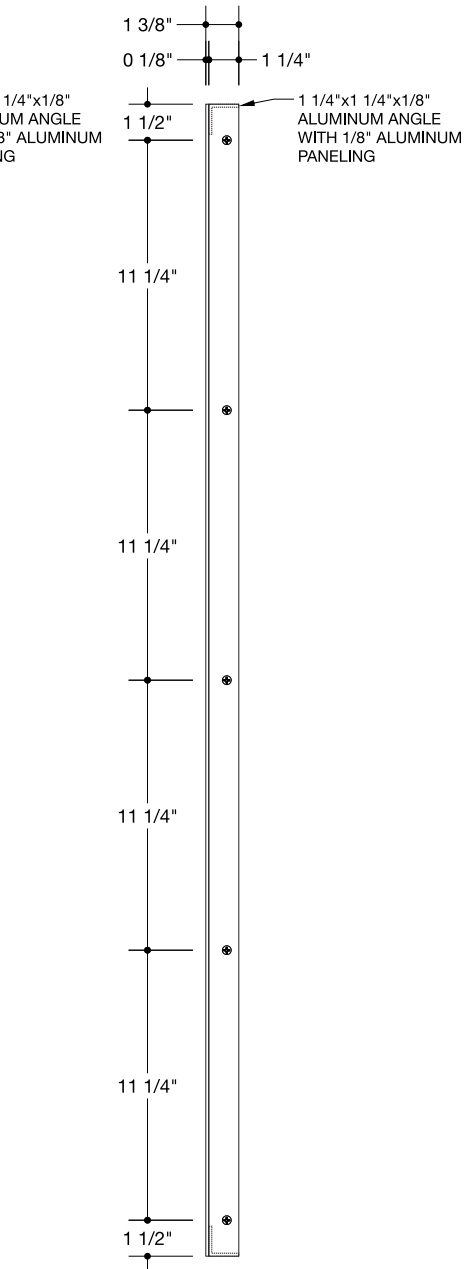
4 PLAN - FABRICATED PAN
SCALE: 1 1/2"=1"



3 SECTION - MAIN CABINET
SCALE: 3/8"=1"



5 ELEVATION - FABRICATED PAN
SCALE: 1 1/2"=1"



5 PROFILE - FABRICATED PAN
SCALE: 1 1/2"=1"

2 SECTION - MAIN CABINET
SCALE: 1"=1"

PROJECT INFORMATION

CLIENT
TEXAS A&M UNIVERSITY

PROJECT
MASTER CAMPUS WAYFINDING

PROJECT MGR **DESIGNER**

PROJECT #: 20-0136

SHEET DETAILS

ST 4.1
Primary Pedestrian Building
Identification

DATE: 08/05/2020
SCALE: AS NOTED

FINISH AND MATERIAL SCHEDULE

- P1** Powder-coat
TG3870061 GRAY
- P2** Powder-coat
SW2716 Maroon
- V1** Oracal 751-010
White

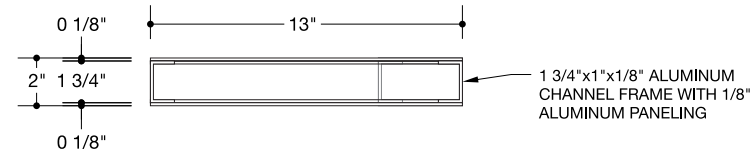
ISSUE

#	DATE	DESCRIPTION
00	08/21/2020	FOR CONSTRUCTION

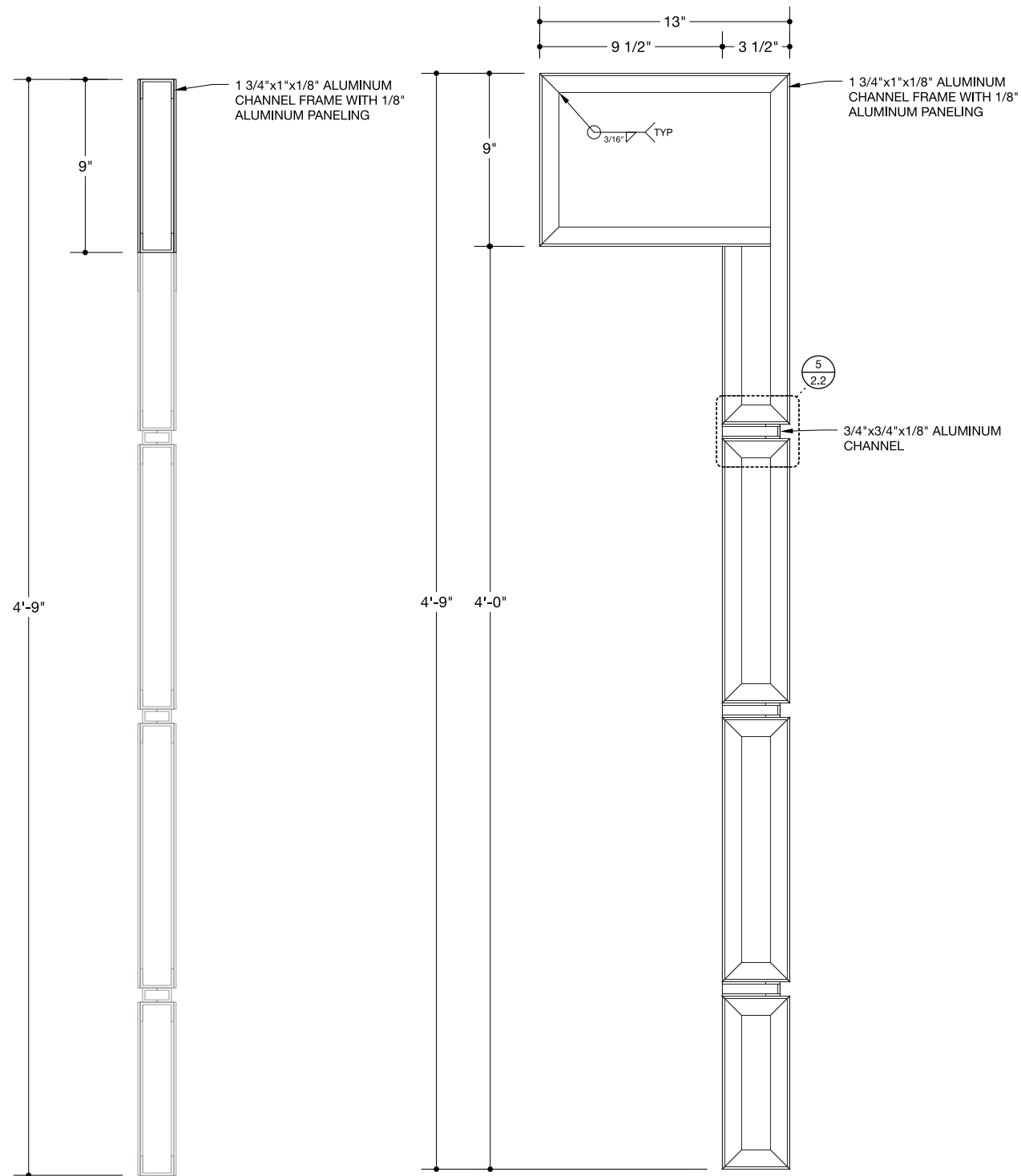
SHEET DESIGNATION

E-4.1-02.1

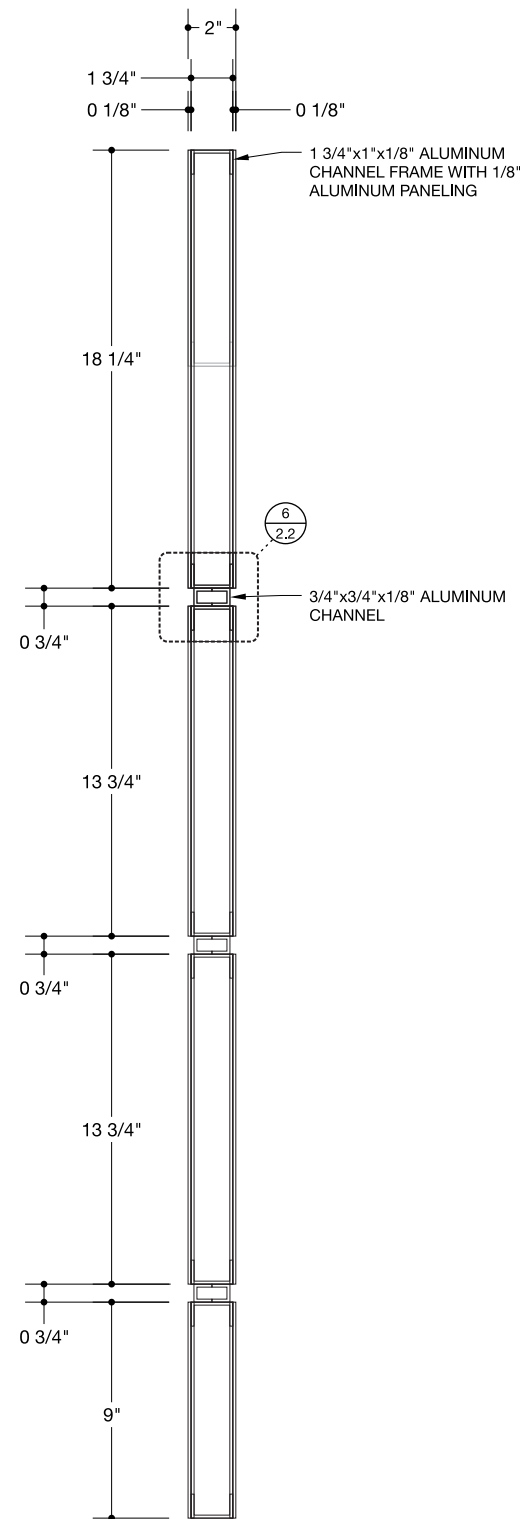
RUNNING SHEET NUMBER 53



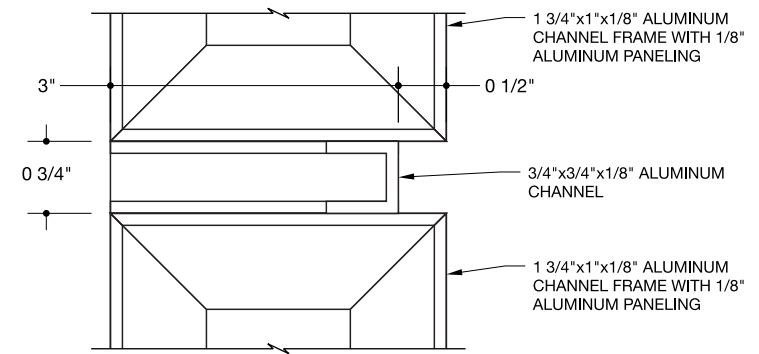
1 PLAN - FABRICATED ACCENT
SCALE: 1 1/2"=1'



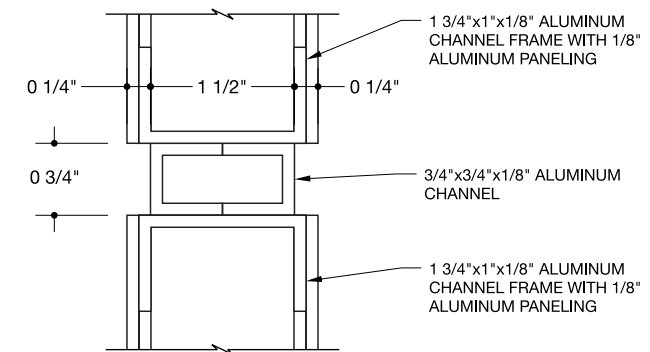
3 ELEVATION - FABRICATED ACCENT
SCALE: 1 1/2"=1'



4 PROFILE - FABRICATED ACCENT
SCALE: 1 1/2"=1'

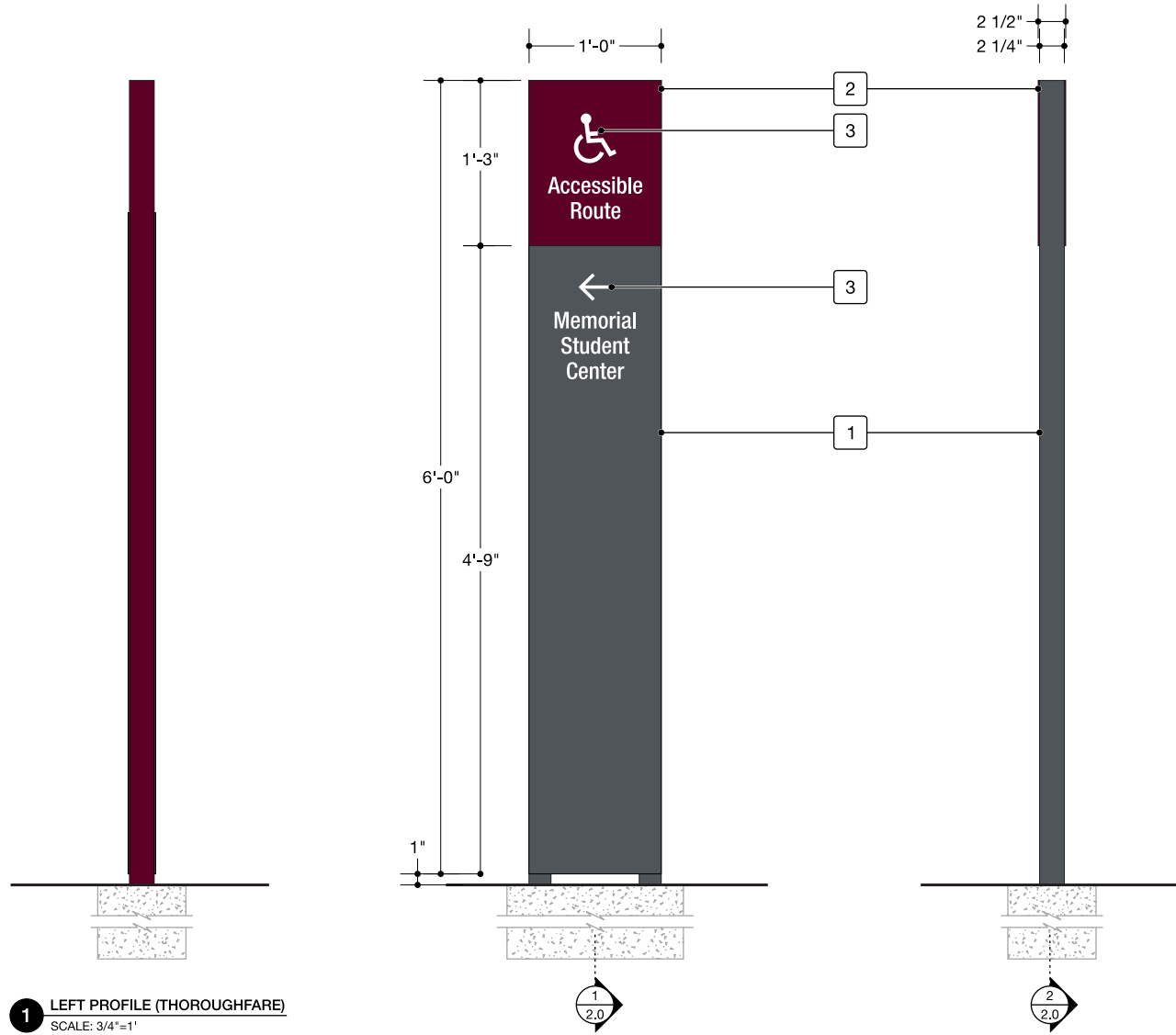


5 DETAIL - ACCENT REVEAL
SCALE: 6"=1'



6 DETAIL - ACCENT REVEAL
SCALE: 6"=1'

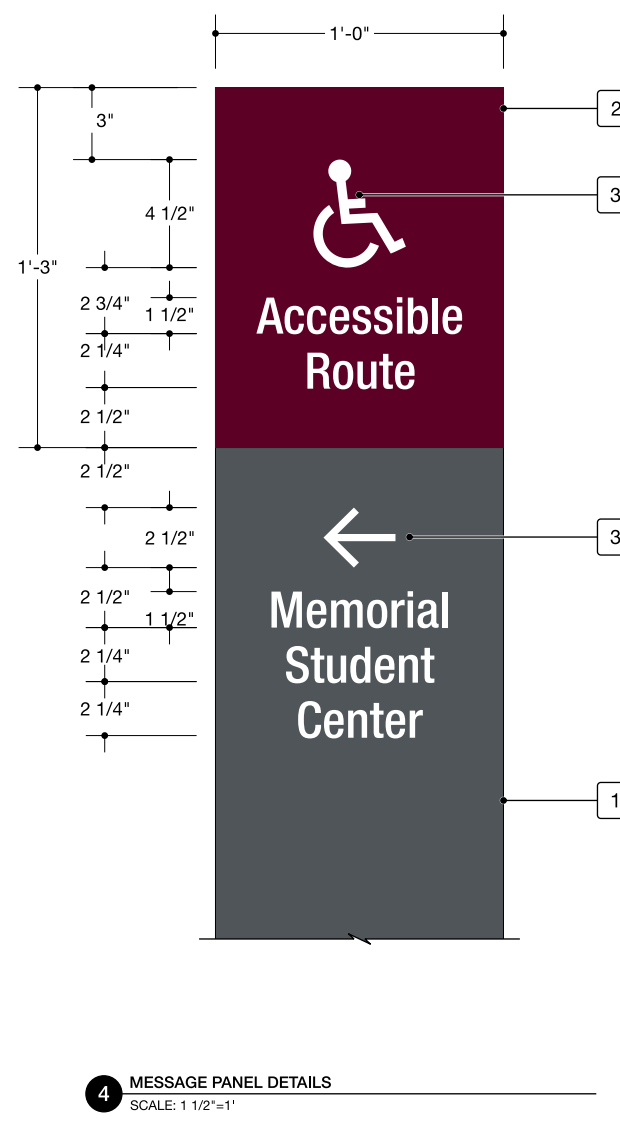
2 PROFILE - FABRICATED ACCENT
SCALE: 1 1/2"=1'



1 LEFT PROFILE (THOROUGHFARE)
SCALE: 3/4"=1'

2 ELEVATION - SIDE A
SCALE: 3/4"=1'

3 RIGHT PROFILE
SCALE: 3/4"=1'



4 MESSAGE PANEL DETAILS
SCALE: 1 1/2"=1'



5 ELEVATION - SIDE B
SCALE: 3/8"=1'

DETAILS

1. Fabricated square tube frame with 1/8" aluminum paneling. Powder-coat all visible surfaces TG3870061 Gray.
2. 1/8" aluminum paneling powder-coat all visible surfaces SW2716 Maroon.
3. Contour-cut vinyl pictogram and copy, Oracal 751-010 White
Typeface: Helvetica Neue LT Std Medium Condensed

NOTES

1. Sign frame is direct bury.
2. Messages shown here for representation only. All messaging By Others. Vinyl to be produced By Others.
3. Powder-coat samples must be approved by the Office of the University Architect prior to fabrication of signs. Powder Coat color may require custom blending.



4543 Brittmoore Road
Houston, Texas 77041
281.971.9529
vistexgraphics.com

PROJECT INFORMATION

CLIENT
TEXAS A&M UNIVERSITY

PROJECT
MASTER CAMPUS WAYFINDING

PROJECT MGR **DESIGNER**

PROJECT #: 20-0136

SHEET DETAILS

ST 4.2
Accessible Entrance Identification

DATE: 08/05/2020
SCALE: AS NOTED

FINISH AND MATERIAL SCHEDULE

P1	Powder-coat TG3870061 GRAY
P2	Powder-coat SW2716 Maroon
V1	Oracal 751-010 White

ISSUE

#	DATE	DESCRIPTION
00	08/21/2020	FOR CONSTRUCTION

SHEET DESIGNATION

E-4.2-01.0

RUNNING SHEET NUMBER 54

PROJECT INFORMATION

CLIENT
TEXAS A&M UNIVERSITY
PROJECT
MASTER CAMPUS WAYFINDING

PROJECT MGR **DESIGNER**

PROJECT #: 20-0136

SHEET DETAILS

ST 4.2
Accessible Entrance Identification

DATE: 08/05/2020
SCALE: AS NOTED

FINISH AND MATERIAL SCHEDULE

- P1** Powder-coat
TG3870061 GRAY
- P2** Powder-coat
SW2716 Maroon
- V1** Oracal 751-010
White

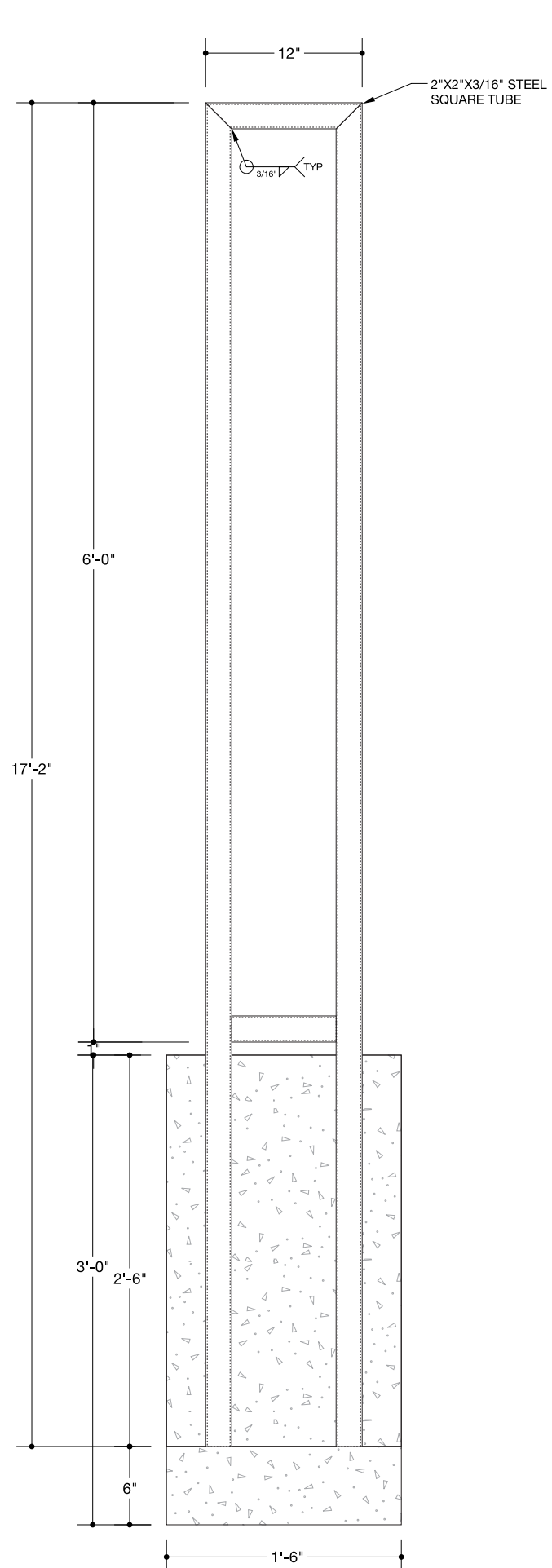
ISSUE

#	DATE	DESCRIPTION
00	08/21/2020	FOR CONSTRUCTION

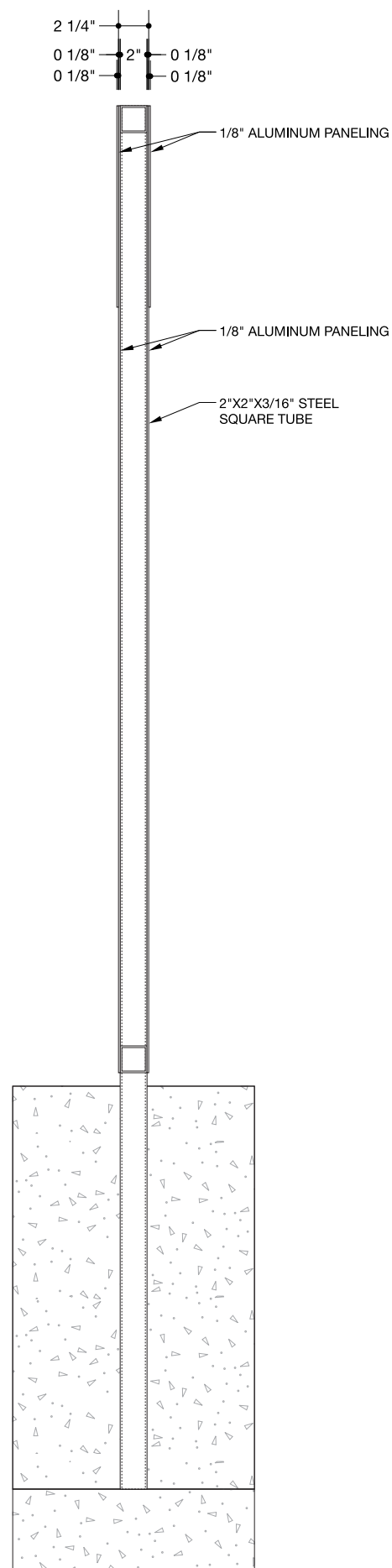
SHEET DESIGNATION

E-4.2-02.0

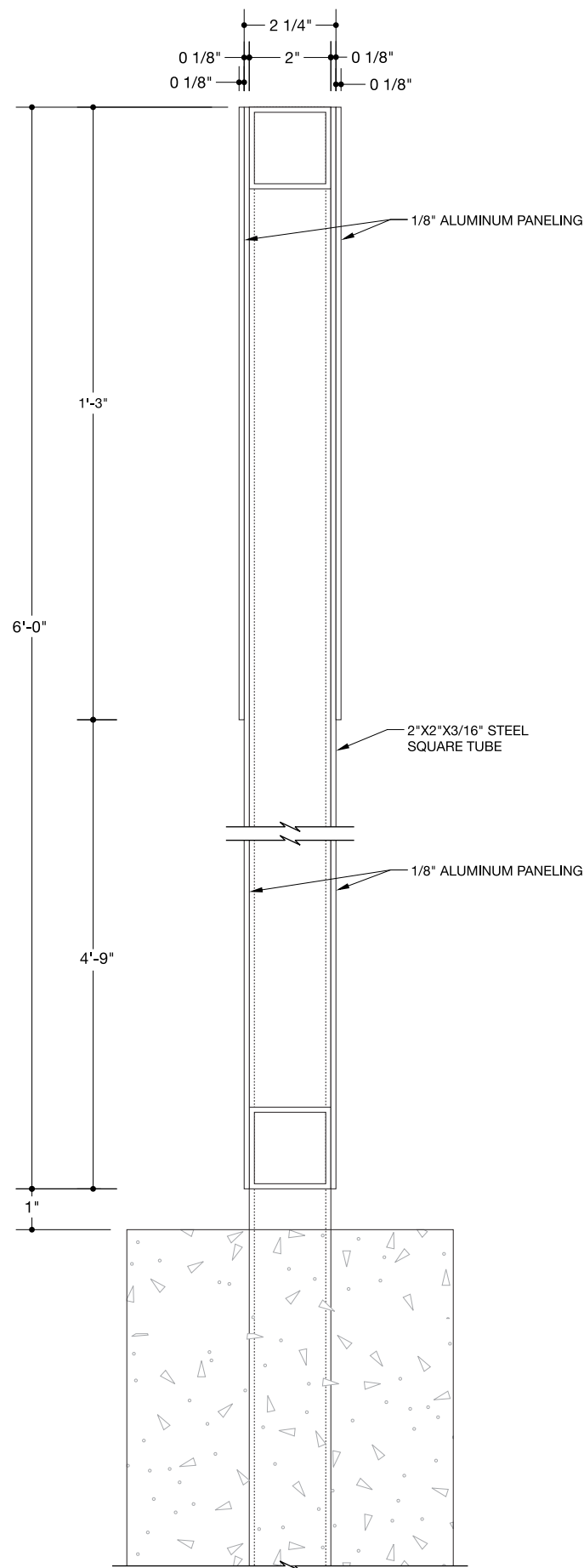
RUNNING SHEET NUMBER 55



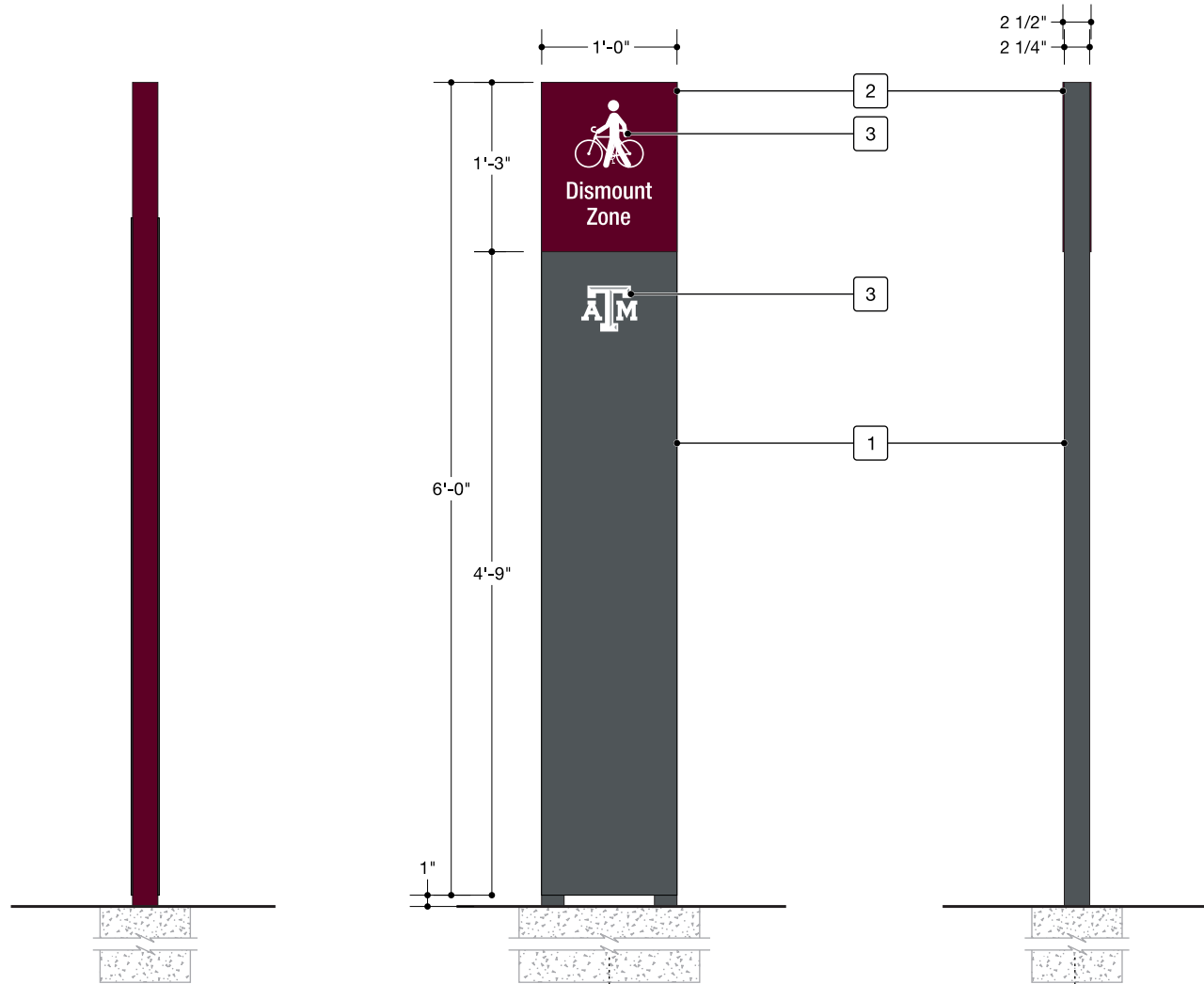
1 SECTION
SCALE: 1"=1'



2 SECTION
SCALE: 1"=1'



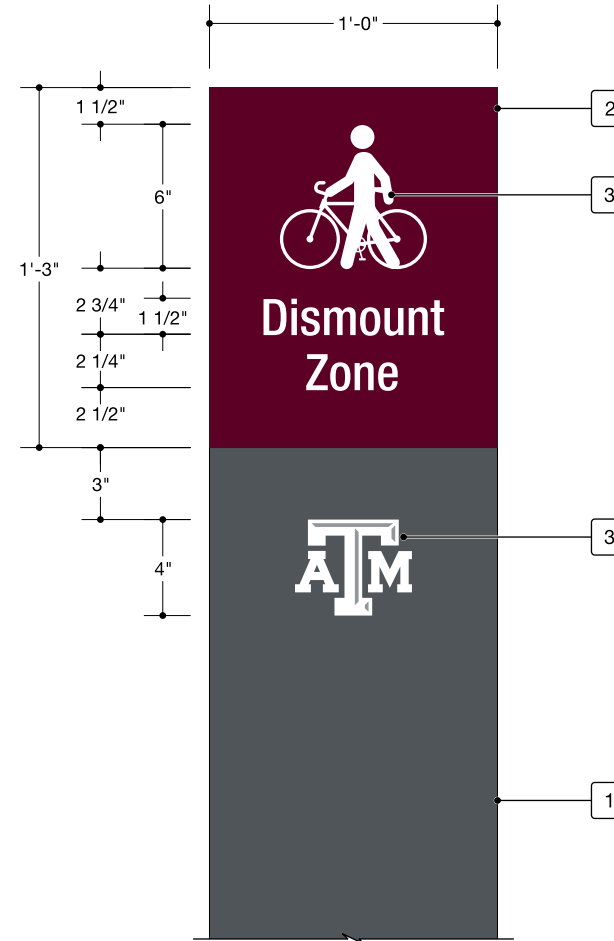
3 SECTION ENLARGEMENT
SCALE: 3"=1'



1 LEFT PROFILE (THOROUGHFARE)
SCALE: 3/4"=1'

2 ELEVATION - SIDE A
SCALE: 3/4"=1'

3 RIGHT PROFILE
SCALE: 3/4"=1'



4 MESSAGE PANEL DETAILS
SCALE: 1 1/2"=1'



5 ELEVATION - SIDE B
SCALE: 3/8"=1'

DETAILS

1. Fabricated square tube frame with 1/8" aluminum paneling. Powder-coat all visible surfaces TG3870061 Gray.
2. 1/8" aluminum paneling powder-coat all visible surfaces SW2716 Maroon.
3. Contour-cut vinyl pictogram and copy, Oracal 751-010 White
Typeface: Helvetica Neue LT Std Medium Condensed

NOTES

1. Sign frame is direct bury.
2. Messages shown here for representation only. All messaging By Others. Vinyl to be produced By Others.
3. Powder-coat samples must be approved by the Office of the University Architect prior to fabrication of signs. Powder Coat color may require custom blending.



4543 Brittmoore Road
Houston, Texas 77041
281.971.9529
vistexgraphics.com

PROJECT INFORMATION

CLIENT
TEXAS A&M UNIVERSITY

PROJECT
MASTER CAMPUS WAYFINDING

PROJECT MGR **DESIGNER**

PROJECT #: 20-0136

SHEET DETAILS

ST 4.3
Bicycle Dismount Zone

DATE: 08/05/2020
SCALE: AS NOTED

FINISH AND MATERIAL SCHEDULE

P1	Powder-coat TG3870061 GRAY
P2	Powder-coat SW2716 Maroon
V1	Oracal 751-010 White

ISSUE

#	DATE	DESCRIPTION
00	08/21/2020	FOR CONSTRUCTION

SHEET DESIGNATION

E-4.3-01.0

RUNNING SHEET NUMBER 56

PROJECT INFORMATION

CLIENT
TEXAS A&M UNIVERSITY
PROJECT
MASTER CAMPUS WAYFINDING

PROJECT MGR **DESIGNER**

PROJECT #: 20-0136

SHEET DETAILS

ST 4.3
Bicycle Dismount Zone

DATE: 08/05/2020
SCALE: AS NOTED

FINISH AND MATERIAL SCHEDULE

- P1** Powder-coat
TG3870061 GRAY
- P2** Powder-coat
SW2716 Maroon
- V1** Oracal 751-010
White

ISSUE

#	DATE	DESCRIPTION
00	08/21/2020	FOR CONSTRUCTION

SHEET DESIGNATION

E-4.3-02.0

RUNNING SHEET NUMBER 57

